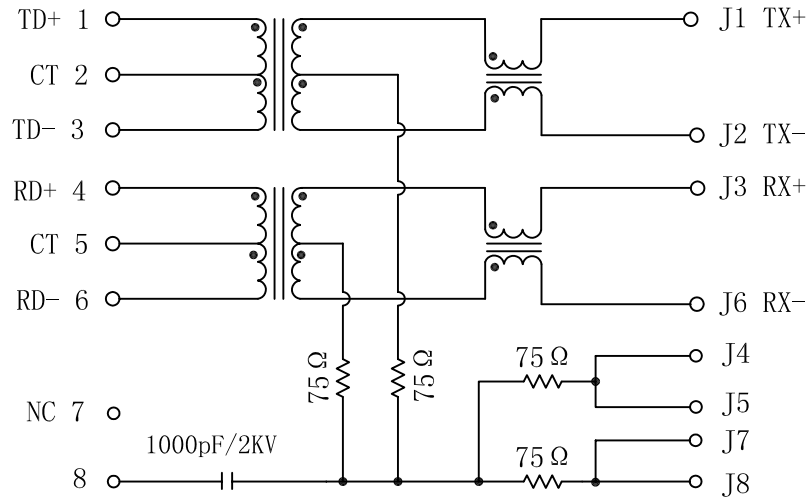


# Schematic:

REV.	ECN NO.	DESCRIPTION	DATE	APPD
A	REL		2008/07/02	

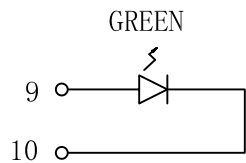
PCB CONNECTIONS



RJ45 CONNECTOR

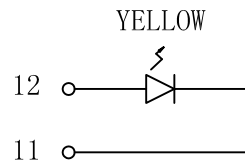
## Electrical Specification @25°C

- Turns Ratio ( $\pm 2\%$ ):  
TX=1CT:1CT      RX=1CT:1CT
- OCL: 350uH Min  
@100KHz, 0.1V, 8mA DC Bias
- Insertion Loss:  
0.1~100MHz:-1.2dB Max
- Return Loss(dB Min):  
1~10MHz:-18      30MHz:-16  
60~100MHz:-12
- Crosstalk(dB Min):  
1~10MHz:-40      30~60MHz:-35  
60~100MHz:-30
- CMR(dB Min):  
1~50MHz:-30      50~130MHz:-20
- Hipot: 1500V AC 6S 1mA
- Operating Temperature: 0°C~70°C.



LEFT LED

LED POLARITY		COLOR
PIN 9	PIN 10	
+	-	GREEN



RIGHT LED

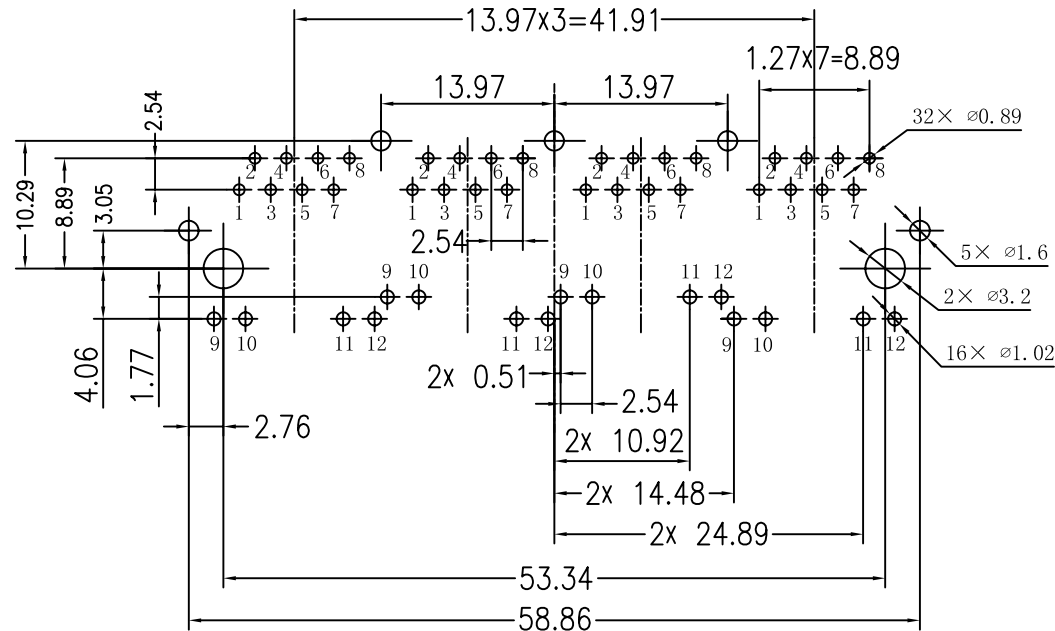
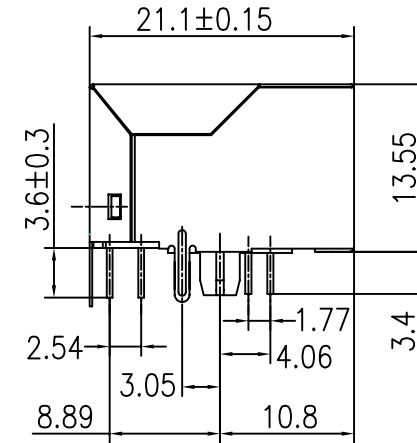
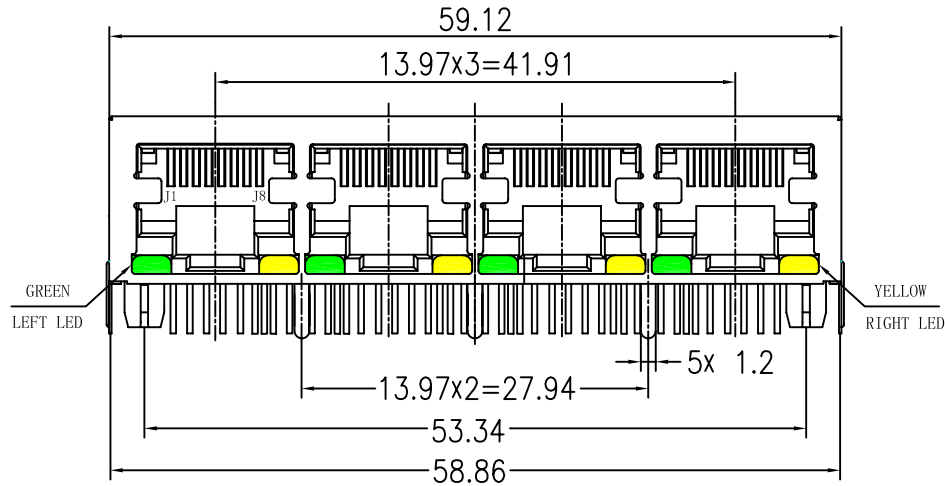
LED POLARITY		COLOR
PIN 12	PIN 11	
+	-	YELLOW



X:X	$\pm 0.20$	APPD:	LINK-PP INT'L TECHNOLOGY CO., LIMITED
X:XX	$\pm 0.10$	CHKD:	
X:XXX	$\pm 0.05$	DR: TOM	
ANGLES	$\pm 1^\circ$	UNIT: mm	PART NO.: LPJ46201BBNL
	SCALE: 2/1	SHEET: 1/2	REV: A      DWG: LP08070209

# Mechanical :

REV.	ECN NO.	DESCRIPTION	DATE	APPD
A	REL		2008/07/02	



SUGGESTED PCB LAYOUT (TOP VIEW)

## NOTES:

1. Designed to support application, such as SOHO (ADSL modems), LAN-on-Motherboard (LOM), hub and Switches.
2. Meets IEEE 802.3 specification
3. Connector Materials:  
Housing: Thermoplastic UL94V-0  
Contact/Shield: Copper alloy  
Shield plating: Nickel  
Contact plating: Gold 6 micro-inches min. In contact area.
4. Wave peak temperature: 260°C, 5Sec.



X:X	±0.20	APPD:	LINK-PP INT'L TECHNOLOGY CO., LIMITED	
X:XX	±0.10	CHKD:	Title: RJ45 1×4 Tab-Down Jack With 10/100 Base-TX Magnetic Modules	
X:XXX	±0.05	DR: TOM		
ANGLES	±1°	UNIT: mm	PART NO. :	LPJ46201BBNL
	SCALE: 2/1	SHEET: 2/2	REV: A	DWG: LP08070209