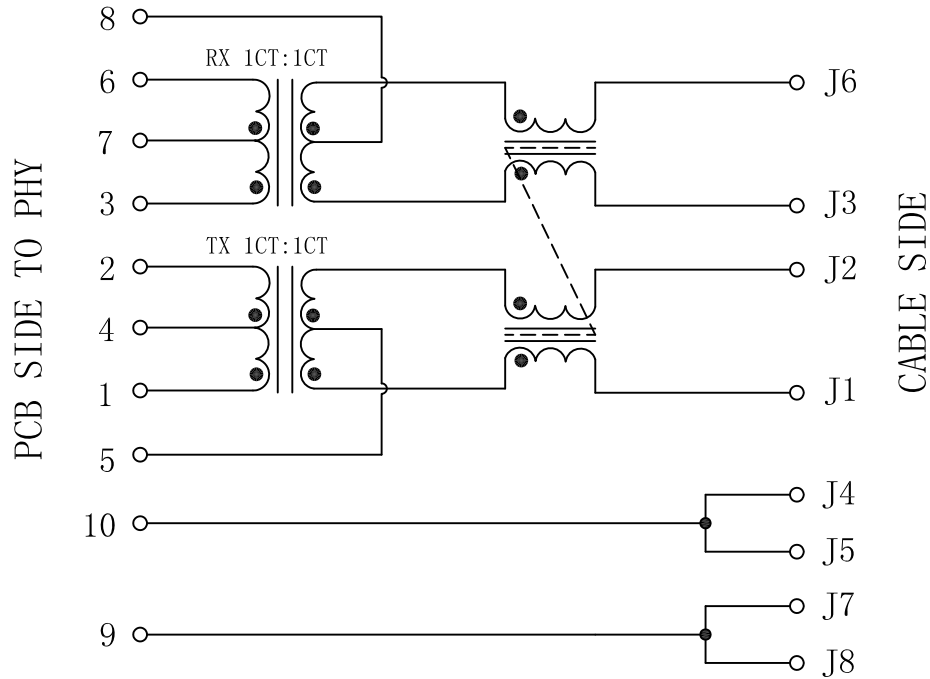


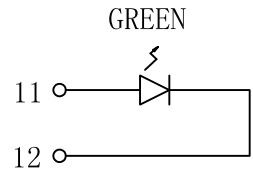
Schematic:

REV.	ECN NO.	DESCRIPTION	DATE	APPD
A	REL		2010/03/20	



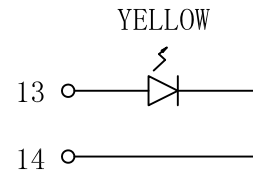
Electrical Specifications @25°C

1. TURNS RATIO ($\pm 5\%$):
TX=1CT:1CT RX=1CT:1CT
2. HI-POT: 1500Vrms
3. INSERTION LOSS:
-1.2dB MAX @ 1-100MHz
4. RETURN LOSS:
-16dB MIN @ 1-30MHz
-14dB MIN @ 40MHz
-13dB MIN @ 50MHz
-12dB MIN @ 60-80MHz
5. CROSS TALK:
-43dB MIN @ 30MHz
-37dB MIN @ 60MHz
-33dB MIN @ 100MHz
6. DCMR:
-50dB MIN @ 30MHz
-43dB MIN @ 60MHz
-35dB MIN @ 100MHz
7. OCL: 350uH Min
@0.1MHz 0.1Vrms With 8mA DC Bias
8. OPERATING TEMPERATURE: -40°C to +85°C



LEFT LED

LED POLARITY		COLOR
PIN 11	PIN 12	
+	-	GREEN



RIGHT LED

LED POLARITY		COLOR
PIN 13	PIN 14	
+	-	YELLOW

X:X	± 0.30	APPD:	LINK-PP INT'L TECHNOLOGY CO., LIMITED	
X:XX	± 0.25	CHKD:		
X:XXX	± 0.05	DR: TOM	TITLE: RJ45 Connector with 10/100 Base-T Integrated Magnetics For PoE Application	
ANGLES	$\pm 1^\circ$	UNIT: mm	PART NO. : LPJ0514BENL	
	SCALE: 2/1	SHEET: 1/2	REV: A	DWG NO. : LP10032016

