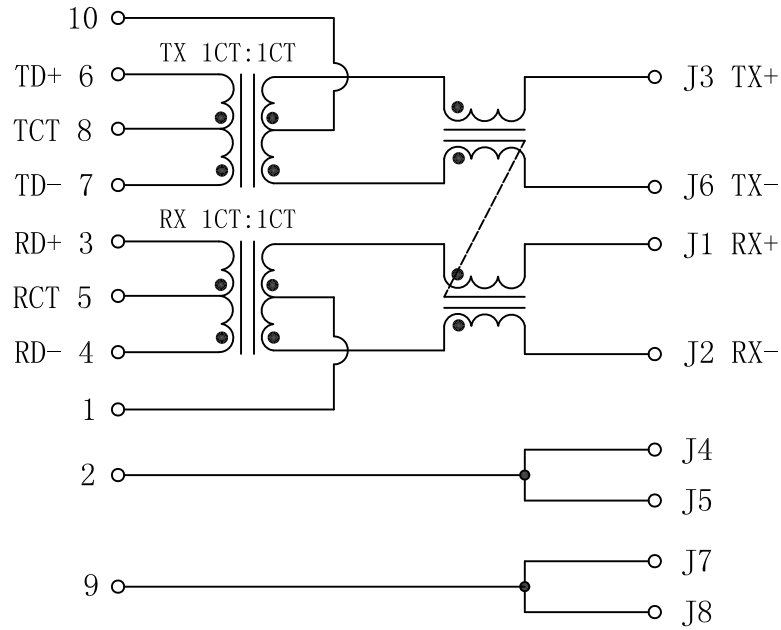


Schematic:

| REV. | ECN NO. | DESCRIPTION | DATE | APPD |
|------|---------|-------------|------------|------|
| A | REL | | 2021-03-12 | |

PC BOARD CONNECTIONS



RJ45 CONNECTOR

ELECTRICAL SPECIFICATIONS @25°C

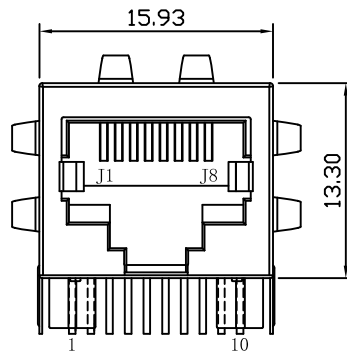
- Turn Ratio($\pm 3\%$):
TX=1CT:1CT RX=1CT:1CT
- Inductance OCL: 350uH MIN
@100KHz, 0.1V, 8mA DC Bias
- Insertion Loss:
-1.2dB MAX @1-100MHz
- Return Loss:
-16dB MIN @1-30MHz
-14dB MIN @40MHz
-13dB MIN @50MHz
-12dB MIN @60-80MHz
- Cross talk:
-43dB MIN @30MHz
-37dB MIN @60MHz
-33dB MIN @100MHz
- Differential to Common To Common Mode:
-50dB MIN @30MHz
-43dB MIN @60MHz
-35dB MIN @100MHz
- Hipot Test: 1500Vrms
- Operating Temperature Range: -40°C to +85°C.



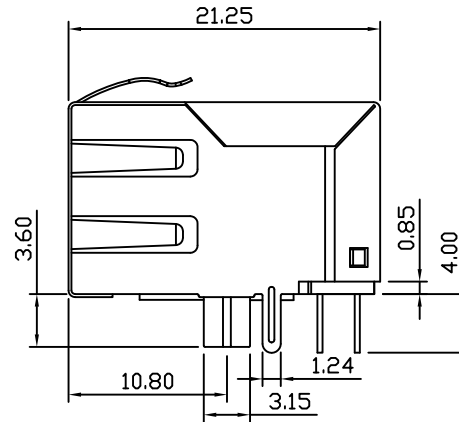
| | | | |
|--------|---------------|------------|---------------------------------------|
| X:X | ± 0.30 | APPD: | LINK-PP INT'L TECHNOLOGY CO., LIMITED |
| X:XX | ± 0.25 | CHKD: | |
| X:XXX | ± 0.05 | DR: TOM | |
| ANGLES | $\pm 1^\circ$ | UNIT: mm | PART NO. : LPJ4335CNL |
| | SCALE: 2/1 | SHEET: 1/2 | REV: A |
| | | | DWG NO. : LP21031203 |

Mechanical:

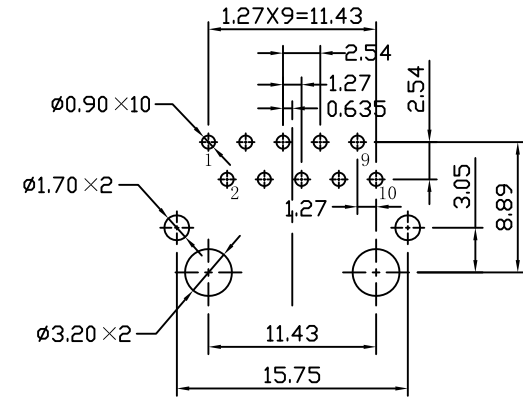
| REV. | ECN NO. | DESCRIPTION | DATE | APPD |
|------|---------|-------------|------------|------|
| A | REL | | 2021-03-12 | |



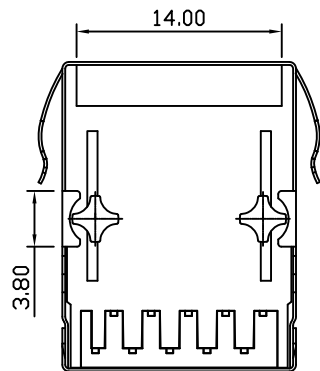
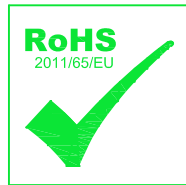
Front Side View



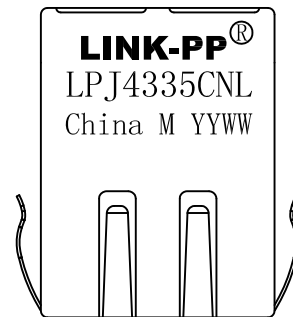
Left Side View



Suggested PCB Layout (Top View)



Bottom Side View



Top Side View

NOTES:

1. Designed to support application, such as SOHO (ADSL modems), LAN-on-Motherboard (LOM), hub and Switches.
2. Designed for PoE, IEEE802.3af applications
3. Power on used or unused pairs for up to 350mADC.
4. Connector Materials:
 Housing: Thermoplastic PBT+30%G.F UL94V-0
 Contact: Phosphor Bronze C5210R-EH Thickness=0.35mm
 Pins: Brass C2680R-H Thickness=0.35mm
 Shield: SUS 201-1/2H Thickness=0.2mm
 Contact plating: Gold 6 micro-inches min. In contact area.
5. Wave solder tip temperature: 250°C, 5 Sec.
6. UL Certification: File Number E484635.

| | | |
|-------------|------------|---|
| X:X ±0.30 | APPD: | LINK-PP INT'L TECHNOLOGY CO., LIMITED |
| X:XX ±0.25 | CHKD: | |
| X:XXX ±0.05 | DR: TOM | TITLE: RJ45 Connector with 10/100 Base-T Integrated Magnetics For PoE Application |
| ANGLES ±1° | UNIT: mm | PART NO.: LPJ4335CNL |
| | SCALE: 2/1 | SHEET: 2/2 |
| | REV: A | DWG NO.: LP21031203 |