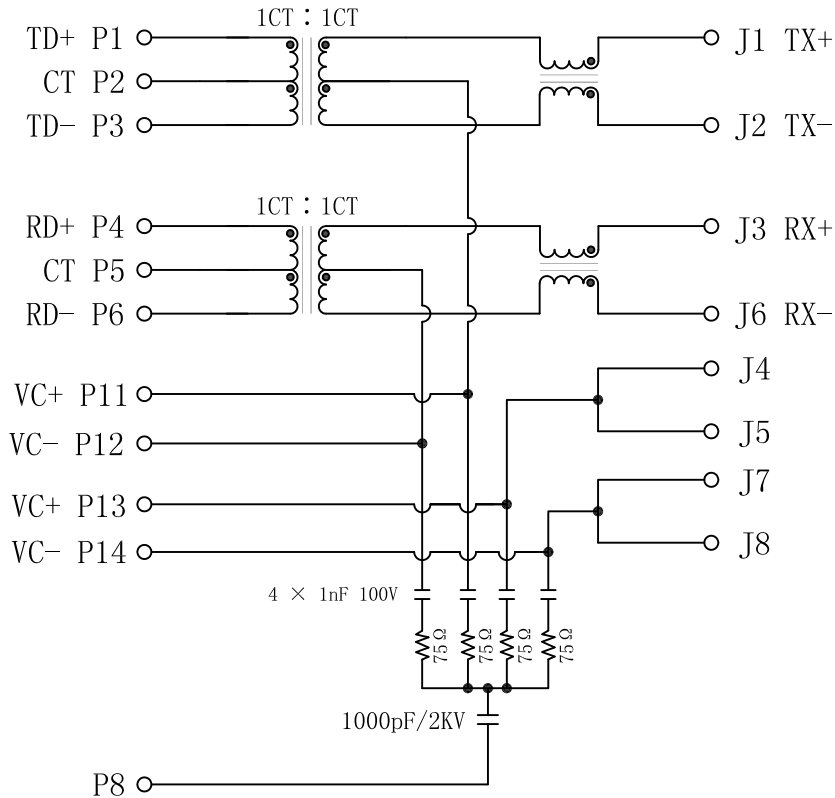


Schematic:

REV.	ECN NO.	DESCRIPTION	DATE	APPD
A	REL	① = 4.0mm ② = 3.6mm	2019-10-30	
B	REL	① = 2.85mm(4.0mm ⇨ 2.85mm) ② = 4.1mm (3.6mm ⇨ 4.1mm)	2019-11-25	

PC BOARD CONNECTIONS

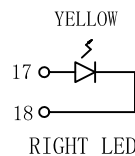
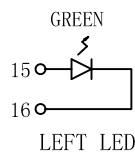


RJ45 CONNECTOR

ELECTRICAL SPECIFICATIONS @25°C

- Turn Ratio ($\pm 3\%$):
TX=1CT:1CT RX=1CT:1CT
- Inductance OCL:
350uH MIN @ 100KHz 0.1V 8mA DC Bias
- DCR: 1.2Ω MAX
- Insertion Loss:
-1.0dB MAX @ 0.1-100MHz
- Return Loss:
-18dB MIN @ 1-30MHz
-16dB MIN @ 30-60MHz
-12dB MIN @ 60-80MHz
- Cross talk:
-30dB MIN @ 1-100MHz
- Common Mode Rejection:
-30dB MIN @ 1-100MHz
- Balanced DC Line Current.
350mA MAX @57VDC Continuous
500mA MAX @57VDC For 200 milliseconds.
- Hipot Test: 1500Vrms
- Operating Temperature Range: -40°C to +85°C.

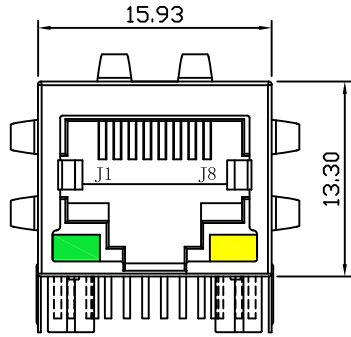
Emitting Color	λ_p (nm)	V _F @I _F =20mA	I _R @V _R =5V
GREEN	565	1.8~2.6V	10 μA max
YELLOW	585	1.8~2.6V	10 μA max



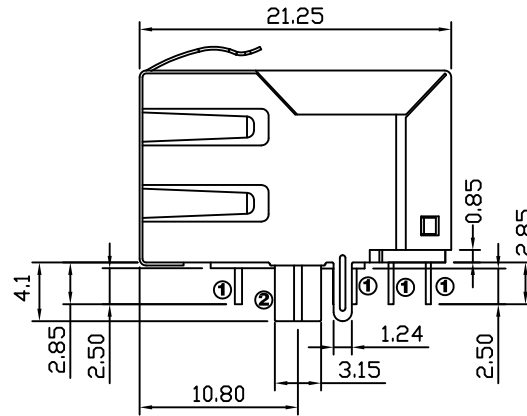
X:X ±0.25	APPD:	LINK-PP INT'L TECHNOLOGY CO., LIMITED
X:XX ±0.20	CHKD:	
X:XXX ±0.05	DR: TOM	TITLE: RJ45 Connector with 10/100 Base-T Integrated Magnetics For PoE Application
ANGLES ±1°	UNIT: mm	PART NO.: LPJ4320GENL
	SCALE: 2/1	SHEET: 1/2
	REV: B	DWG NO.: LP19112503

Mechanical:

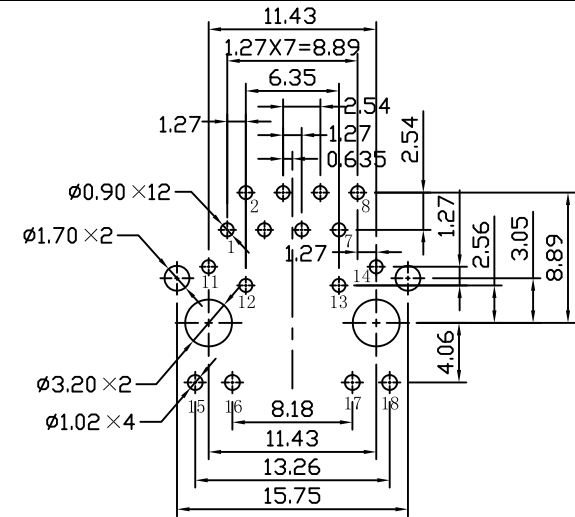
REV.	ECN NO.	DESCRIPTION	DATE	APPD
A	REL	① = 4.0mm ② = 3.6mm	2019-10-30	
B	REL	① = 2.85mm(4.0mm ⇨ 2.85mm) ② = 4.1mm (3.6mm ⇨ 4.1mm)	2019-11-25	



Front Side View



Left Side View

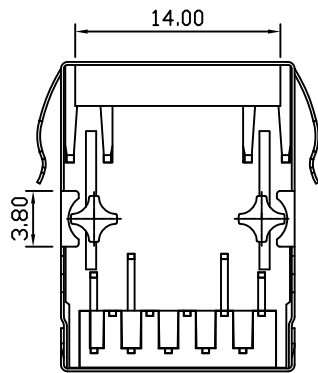


Suggested PCB Layout (Top View)

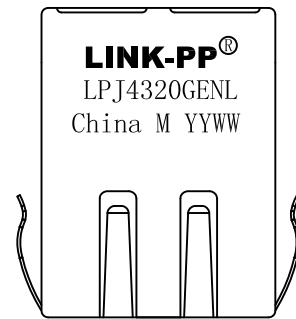


NOTES:

1. Designed to support application, such as SOHO (ADSL modems), LAN-on-Motherboard (LOM), hub and Switches.
2. Meets IEEE802.3af specification.
3. Connector Materials:
 Housing: Thermoplastic PBT+30%G.F UL94V-0
 Contact: Phosphor Bronze C5210R-EH Thickness=0.35mm
 Pins: Brass C2680R-H Thickness=0.35mm
 Shield: SUS 201-1/2H Thickness=0.2mm
 Contact plating: Gold 6 micro-inches min. In contact area
4. Wave solder tip temperature: 265°C Max, 5 Sec.
5. UL Certification: File Number E484635.



Bottom Side View



Top Side View

X:X ±0.25	APPD:	LINK-PP INT'L TECHNOLOGY CO., LIMITED
X:XX ±0.20	CHKD:	
X:XXX ±0.05	DR: TOM	TITLE: RJ45 Connector with 10/100 Base-T Integrated Magnetics For PoE Application
ANGLES ±1°	UNIT: mm	PART NO.: LPJ4320GENL
	SCALE: 2/1	SHEET: 2/2
	REV: B	DWG NO.: LP19112503