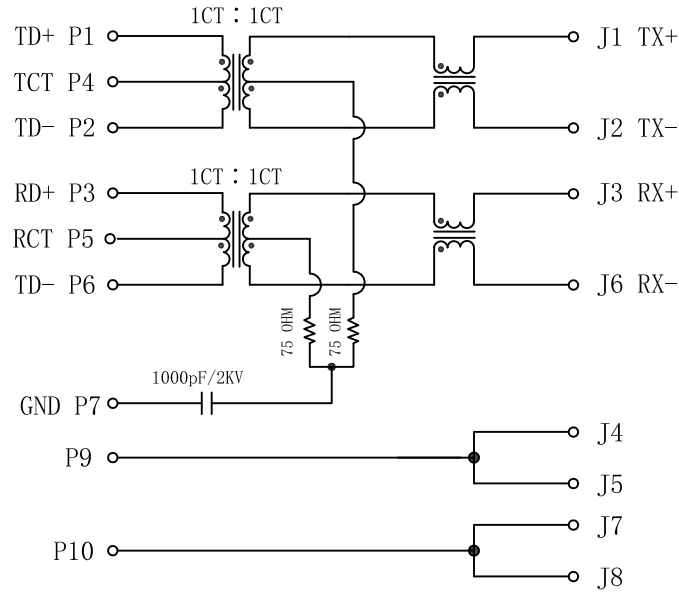


Schematic:

REV.	ECN NO.	DESCRIPTION	DATE	APPD
A	REL		2016-10-09	

PC BOARD CONNECTIONS



RJ45 CONNECTOR

ELECTRICAL SPECIFICATIONS @25°C

- Turn Ratio:
 (P1-P2 : J1-J2) = 1CT : 1CT $\pm 3\%$
 (P3-P6 : J3-J6) = 1CT : 1CT $\pm 3\%$
- OCL(@100KHz, 0.1Vrms, 8mA):
 (P1-P2, P3-P6) 350uH Min
- DCR:
 (P1-P2, P3-P6) 1.0 OHMS Max
- Insertion Loss:
 0.1-100MHz: -1.1dB Max
- Return Loss:
 0.5-30MHz: -18dB Min
 40MHz: -15.5dB Min
 50MHz: -13.6dB Min
 60-80MHz: -12dB Min
- Cross talk:
 0.1-100MHz: -40dB Typ
- Common Mode Rejection:
 0.1-30MHz: -50dB Typ
 30-60MHz: -40dB Typ
 60-100MHz: -35dB Typ
- Isolation: 1500Vrms
- Operating Temperature: -40°C to +85°C.



X:X ± 0.30	APPD:	LINK-PP INT'L TECHNOLOGY CO., LIMITED
X:XX ± 0.25	CHKD:	
X:XXX ± 0.05	DR: TOM	TITLE: RJ45 Connector with 10/100 Base-T Integrated Magnetics For PoE(fast ethernet)
ANGLES $\pm 1^\circ$	UNIT: mm	PART NO.: LPJ4164DNL
	SCALE: 2/1	SHEET: 1/2
	REV: A	DWG NO.: LP16100901

