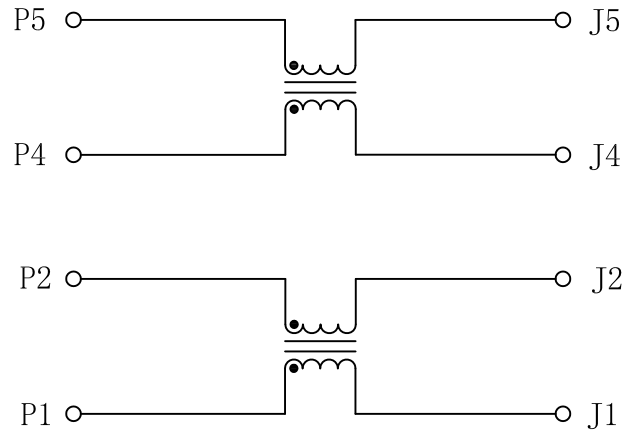


Schematic:

REV.	ECN NO.	DESCRIPTION	DATE	APPD
A	REL		2014-08-21	

PCB SIDE TO PHY



CABLE SIDE

ELECTRICAL SPECIFICATIONS 25°C

1. Inductance:

P1-J1=P2-J2;P4-J4=P5-J5:
65uH TYP@0.1V, 10KHz, Nominal.

2. DC Resistance:

P1-J1 0.5 OHM MAX
P2-J2 0.5 OHM MAX
P4-J4 0.5 OHM MAX
P5-J5 0.5 OHM MAX

3. Common Mode CMA (-dB)

Frequency (MHz)	TYPICAL	MIN
1	8	5
5	17	15
20	23	15
70	25	20
200	22	17
500	11	6

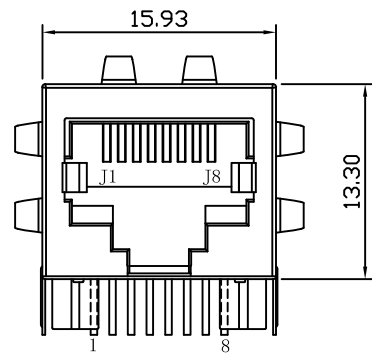
4. Operating Temperature Range: -40°C to +80°C.



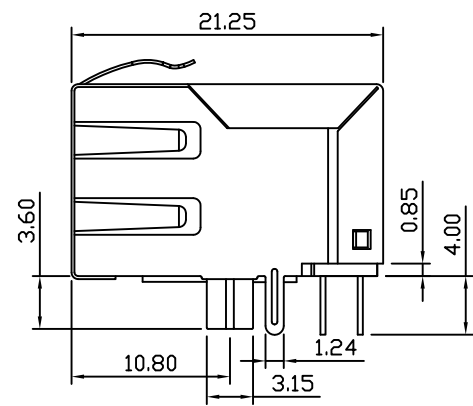
X:X ±0.30	APPD:	LINK-PP INT'L TECHNOLOGY CO., LIMITED
X:XX ±0.25	CHKD:	
X:XXX ±0.05	DR: TOM	TITLE: RJ45 COMMON MODE CHOKE FOR T1/E1 APPLICATION
ANGLES ±1°	UNIT: mm	PART NO. : LPJ4077CNL
	SCALE: 2/1	SHEET: 1/2
	REV: A	DWG NO. : LP14082130

Mechanical:

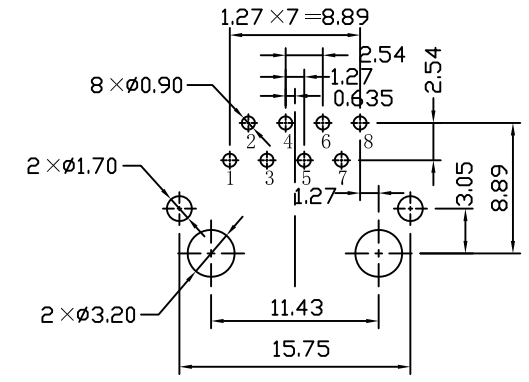
REV.	ECN NO.	DESCRIPTION	DATE	APPD
A	REL		2014-08-21	



Front Side View



Left Side View

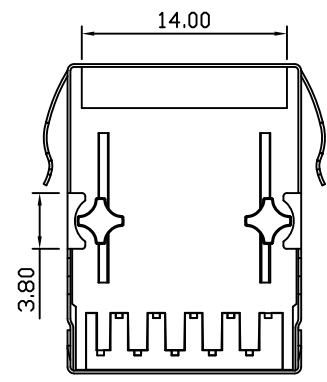


Suggested PCB Layout (Top View)

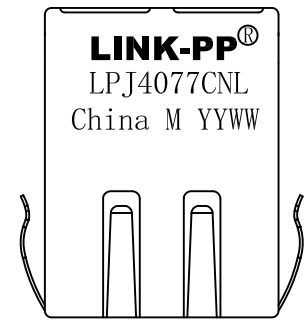


NOTES:

- RJ45 Common Mode Choke For T1/E1 Application.
- Connector Materials:
 Housing: Thermoplastic PBT+30%G.F UL94V-0
 Contact: Phosphor Bronze C5210R-EH Thickness=0.35mm
 Pins: Brass C2680R-H Thickness=0.35mm
 Shield: SUS 201-1/2H Thickness=0.2mm
 Contact plating: Gold 6 micro-inches min. In contact area.
- Wave solder tip temperature: 265°C Max, 5 Sec.
- UL Certification: File Number E484635.



Bottom Side View



Top Side View

X:X ±0.30	APPD:	LINK-PP INT'L TECHNOLOGY CO., LIMITED
X:XX ±0.25	CHKD:	
X:XXX ±0.05	DR: TOM	TITLE: RJ45 COMMON MODE CHOKE FOR T1/E1 APPLICATION
ANGLES ±1°	UNIT: mm	PART NO.: LPJ4077CNL
	SCALE: 2/1	SHEET: 2/2
	REV: A	DWG NO.: LP14082130