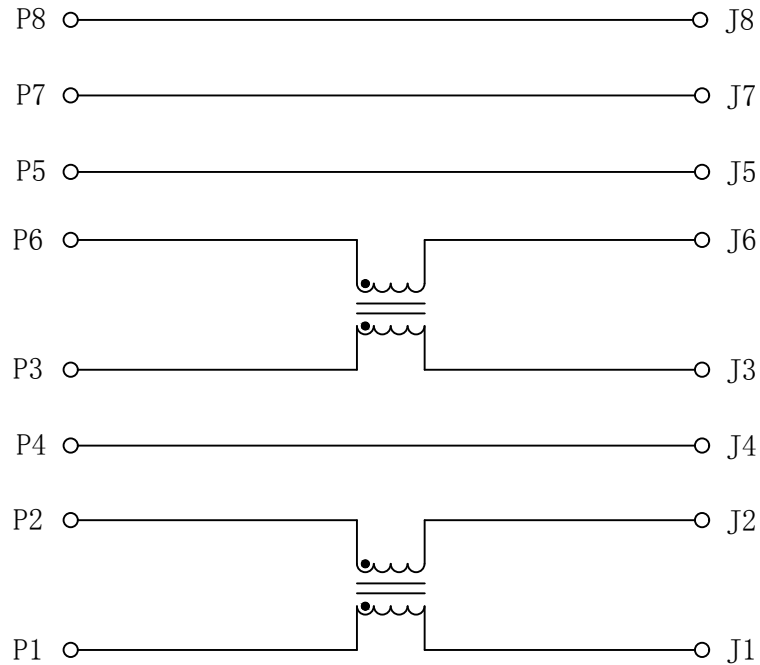


Schematic:

REV.	ECN NO.	DESCRIPTION	DATE	APPD
A	REL		2015-01-22	



ELECTRICAL SPECIFICATIONS @25°C

1. Inductance OCL: 65uH TYP @ 0.1V 10KHz

2. DCR:

P6-J6: 0.5 OHM MAX      P3-J3: 0.5 OHM MAX

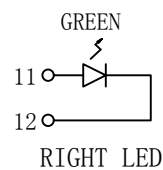
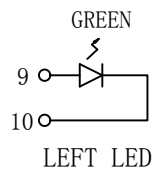
P2-J2: 0.5 OHM MAX      P1-J1: 0.5 OHM MAX

4. COMMON MODE: CMA (-dB)

FREQUENCY (MHz)	TYPICAL	MIN
1	8	5
5	17	15
20	23	15
70	25	20
200	22	17
500	11	6

8. Operating Temperature Range: -40°C to +85°C.

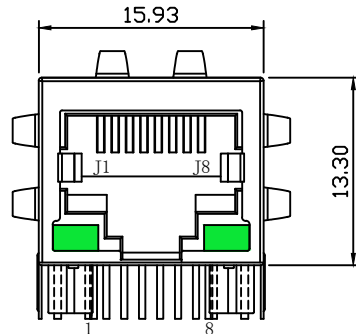
Emitting Color	$\lambda_p$ (nm)	V <sub>F</sub> @I <sub>F</sub> =20mA	IR @V <sub>R</sub> =5V
GREEN	565	1.8~2.6V	10 $\mu$ A max
YELLOW	585	1.8~2.6V	10 $\mu$ A max



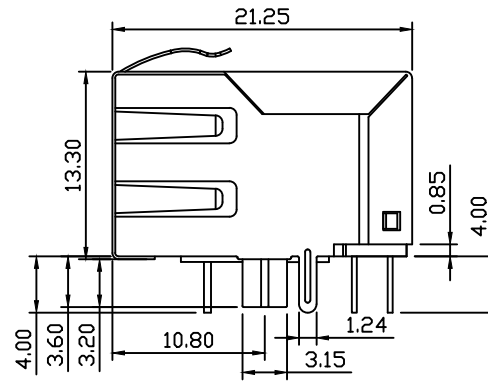
X:X ±0.30	APPD: TOM	LINK-PP INT'L TECHNOLOGY CO., LIMITED	
X:XX ±0.25	CHKD: JAMES	TITLE: RJ45 Connector CMC	
X:XXX ±0.05	DR: LEO	TAB DOWN, SHIELDED	
ANGLES ±1°	UNIT: mm	PART NO.: LPJ4076GFNL	
	SCALE: 2/1	SHEET: 1/2	REV: A      DWG NO.: LP10032018

Mechanical:

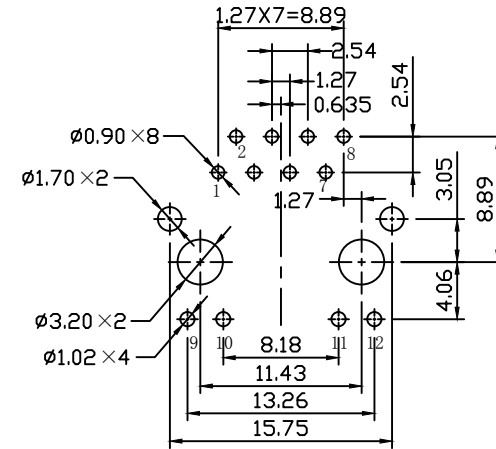
REV.	ECN NO.	DESCRIPTION	DATE	APPD
A	REL		2015-01-22	



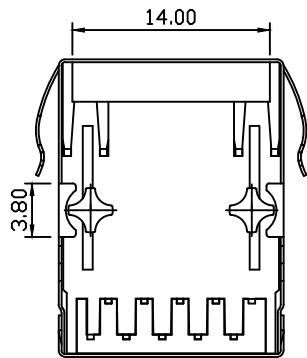
Front Side View



Left Side View



Suggested PCB Layout (Top View)



Bottom Side View



Top Side View

NOTES:

1. Designed to support application, such as SOHO (ADSL modems), LAN-on-Motherboard (LOM), hub and Switches.
2. Meets IEEE 802.3 specification
3. Connector Materials:  
 Housing: Thermoplastic PBT+30%G.F UL94V-0  
 Contact: Phosphor Bronze C5210R-EH Thickness=0.35mm  
 Pins: Brass C2680R-H Thickness=0.35mm  
 Shield: SUS 201-1/2H Thickness=0.2mm  
 Contact plating: Gold 6 micro-inches min. In contact area.
4. Wave solder tip temperature: 260°C, 5 Sec.
5. UL Certification: File Number E484635



X:X ±0.30	APPD: TOM	LINK-PP INT'L TECHNOLOGY CO., LIMITED		
X:XX ±0.25	CHKD: JAMES			
X:XXX ±0.05	DR: LEO	TITLE: RJ45 Connector CMC TAB DOWN, SHIELDED		
ANGLES ±1°	UNIT: mm	PART NO.: LPJ4076GFNL		
	SCALE: 2/1	SHEET: 2/2	REV: A	DWG NO.: LP10032018