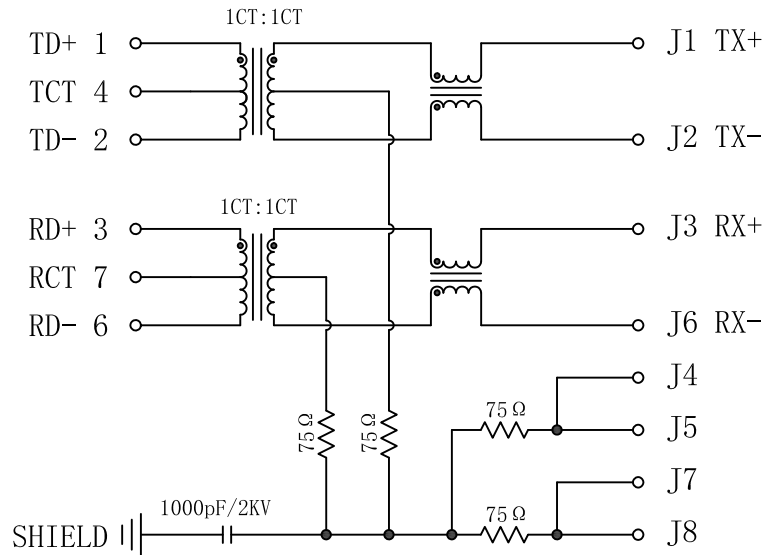


Schematic:

REV.	ECN NO.	DESCRIPTION	DATE	APPD
A	REL		2014-07-21	

PC BOARD CONNECTIONS



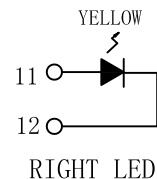
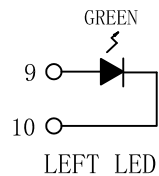
RJ45 CONNECTOR

Electrical Specifications @25°C

- Turns Ratio:  
TX=1CT:1CT      RX=1CT:1CT
- Inductance: 350uH MIN  
@100KHz, 100mVrms, 8 mA DC bias
- Insertion Loss:  
1~65MHz:-1.0dB MAX
- Return Loss (dB MIN):  
1~30MHz:-18      40MHz:-16  
50MHz:-12      60MHz:-10
- Crosstalk (dB MIN):  
30MHz:-40      60MHz:-35  
100MHz:-30
- Common Mode Rejection (dB MIN):  
30MHz:-30      60MHz:-20  
100MHz:-20
- Hipot: 1500Vrms
- Operating Temperature: -40°C ~ +85°C.



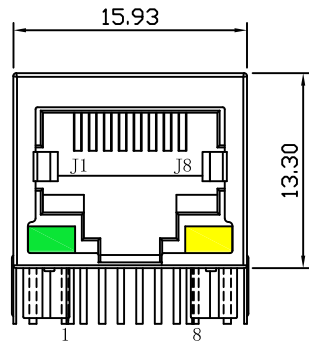
Emitting Color	$\lambda_p$ (nm)	V <sub>F</sub> @I <sub>F</sub> =20mA	I <sub>R</sub> @V <sub>R</sub> =5V
GREEN	565	1.8~2.6V	10 $\mu$ A max
YELLOW	585	1.8~2.6V	10 $\mu$ A max



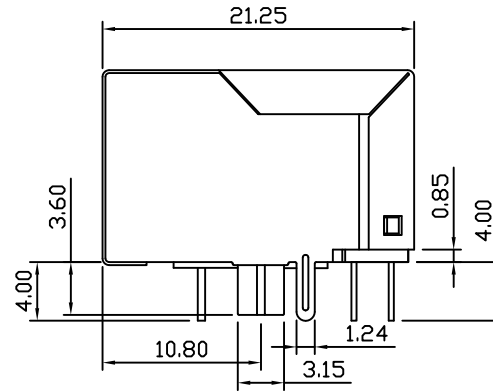
X:X ±0.30	APPD:	LINK-PP INT'L TECHNOLOGY CO., LIMITED
X:XX ±0.25	CHKD:	
X:XXX ±0.05	DR: TOM	TITLE: RJ45 Connector with 10/100 Base-T Integrated Magnetics
ANGLES ±1°	UNIT: mm	PART NO.: LPJ4014HENL
	SCALE: 2/1	SHEET: 1/2
	REV: A	DWG NO.: LP14072116

# Mechanical:

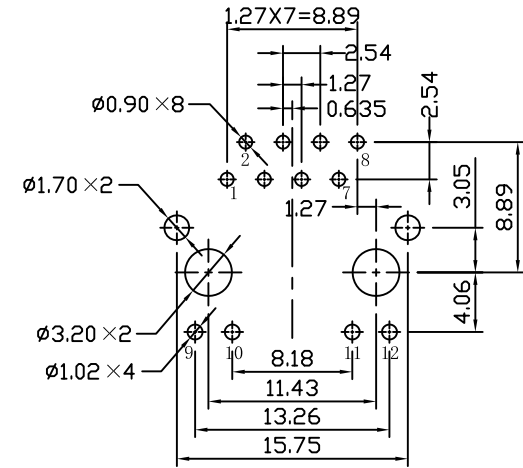
REV.	ECN NO.	DESCRIPTION	DATE	APPD
A	REL		2014-07-21	



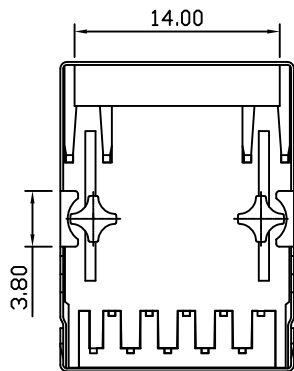
Front Side View



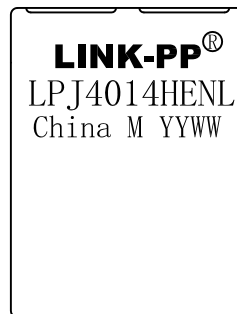
Left Side View



Suggested PCB Layout (Top View)



Bottom Side View



Top Side View

## NOTES:

1. Designed to support application, such as SOHO (ADSL modems), LAN-on-Motherboard (LOM), hub and Switches.
2. Meets IEEE802.3 specification.
3. Connector Materials:  
 Housing: Thermoplastic PBT+30%G.F UL94V-0  
 Contact: Phosphor Bronze C5210R-EH Thickness=0.35mm  
 Pins: Brass C2680R-H Thickness=0.35mm  
 Shield: SUS 201-1/2H Thickness=0.2mm  
 Contact plating: Gold 6 micro-inches min. In contact area.
4. Wave solder tip temperature: 265°C Max, 5 Sec.
5. UL Certification: File Number E484635.

X:X ±0.30	APPD:	LINK-PP INT'L TECHNOLOGY CO., LIMITED
X:XX ±0.25	CHKD:	
X:XXX ±0.05	DR: TOM	TITLE: RJ45 Connector with 10/100 Base-T Integrated Magnetics
ANGLES ±1°	UNIT: mm	PART NO.: LPJ4014HENL
	SCALE: 2/1	SHEET: 2/2
	REV: A	DWG NO.: LP14072116