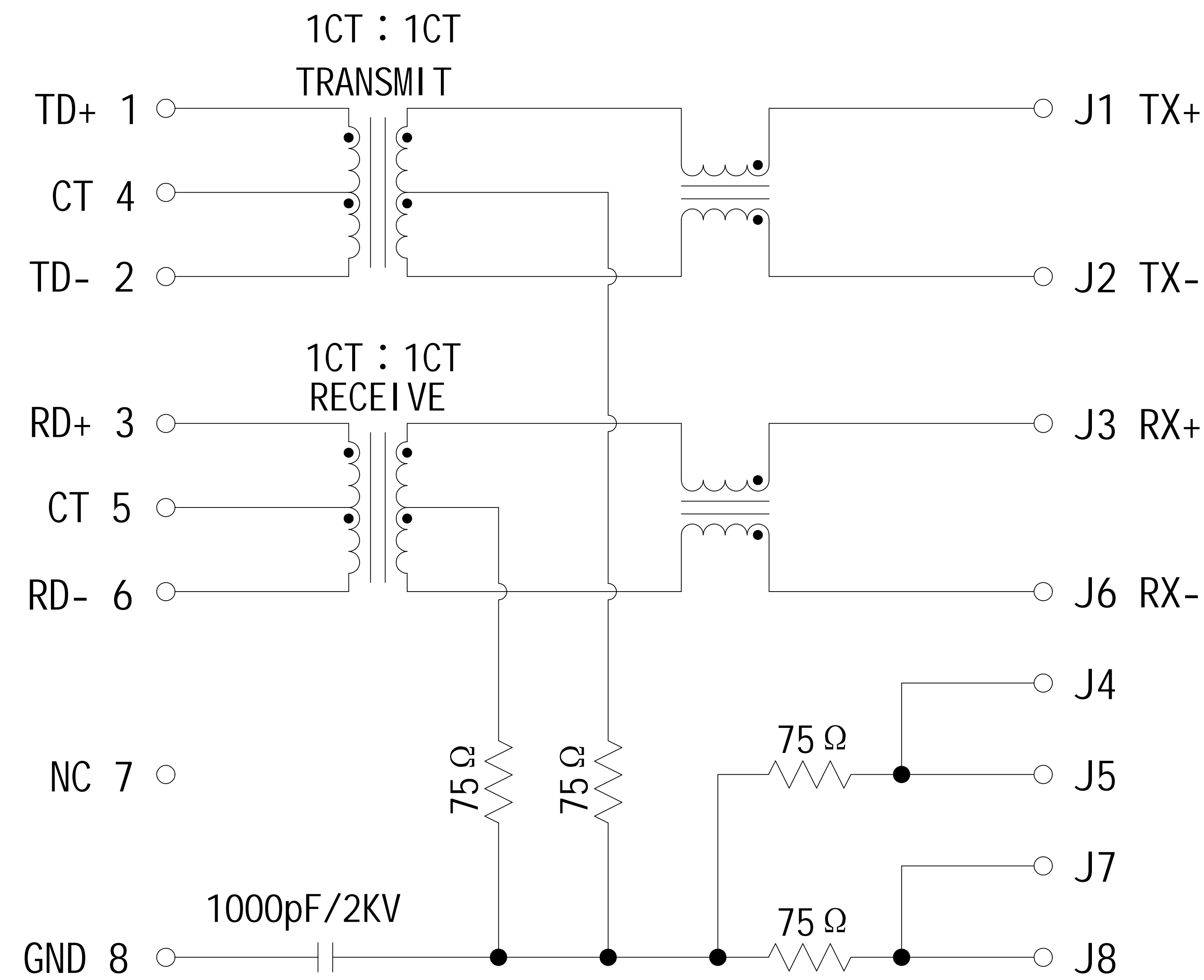


# Schematic:

REV.	ECN NO.	DESCRIPTION	DATE	APPD
A	REL		2019-12-12	

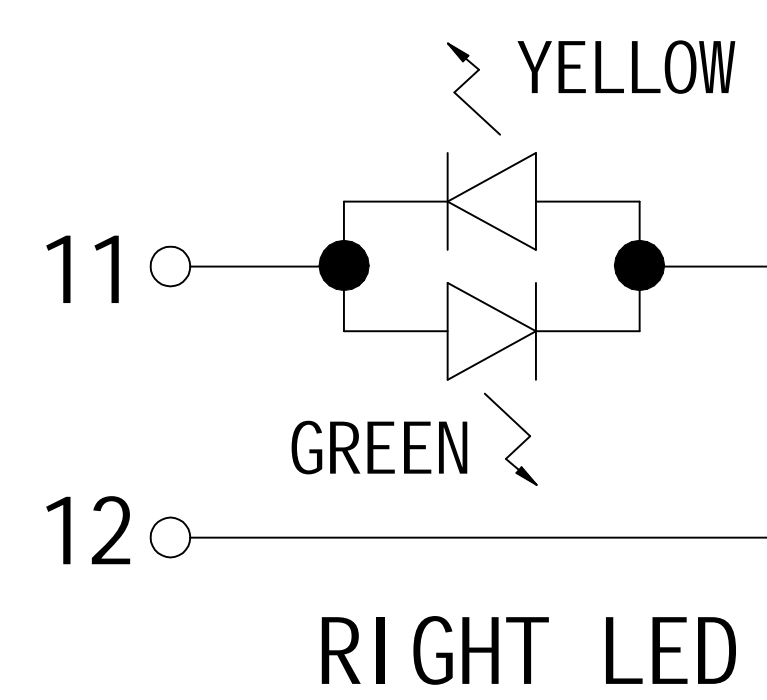
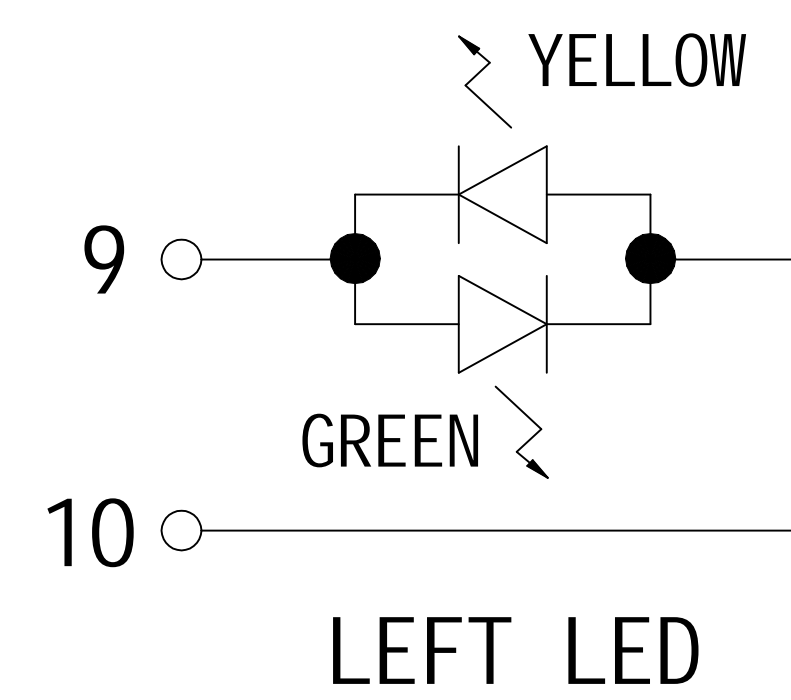
PC BOARD CONNECTIONS



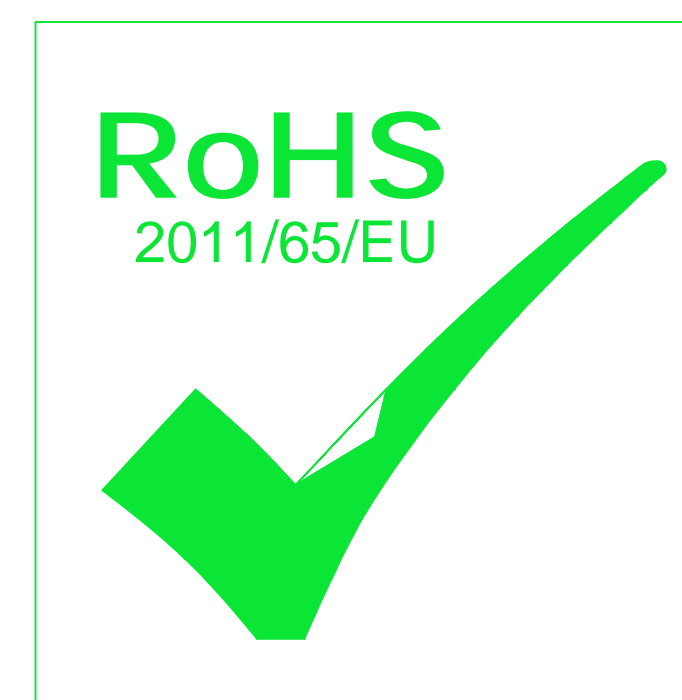
RJ45 CONNECTOR

## ELECTRICAL SPECIFICATIONS @25°C

- Turn Ratio( $\pm 2\%$ ):  
TX=1CT:1CT      RX=1CT:1CT
- Inductance OCL: 350uH MIN  
@100KHz/0.1V 8mA DC Bias
- Insertion Loss:  
1-100MHz: -1.0dB MAX
- Return Loss(dB MIN):  
1-30MHz: -18      30-60MHz: -15  
60-80MHz: -12      80-100MHz: -10
- Cross talk(dB MIN):  
30MHz: -40      60MHz: -35  
100MHz: -30
- Common Mode Rejection(dB MIN):  
30MHz: -40      60MHz: -35  
100MHz: -30
- Isolation PHY SIDE To Line SIDE : 1500Vrms
- Operating Temperature Range: -40°C to +85°C.



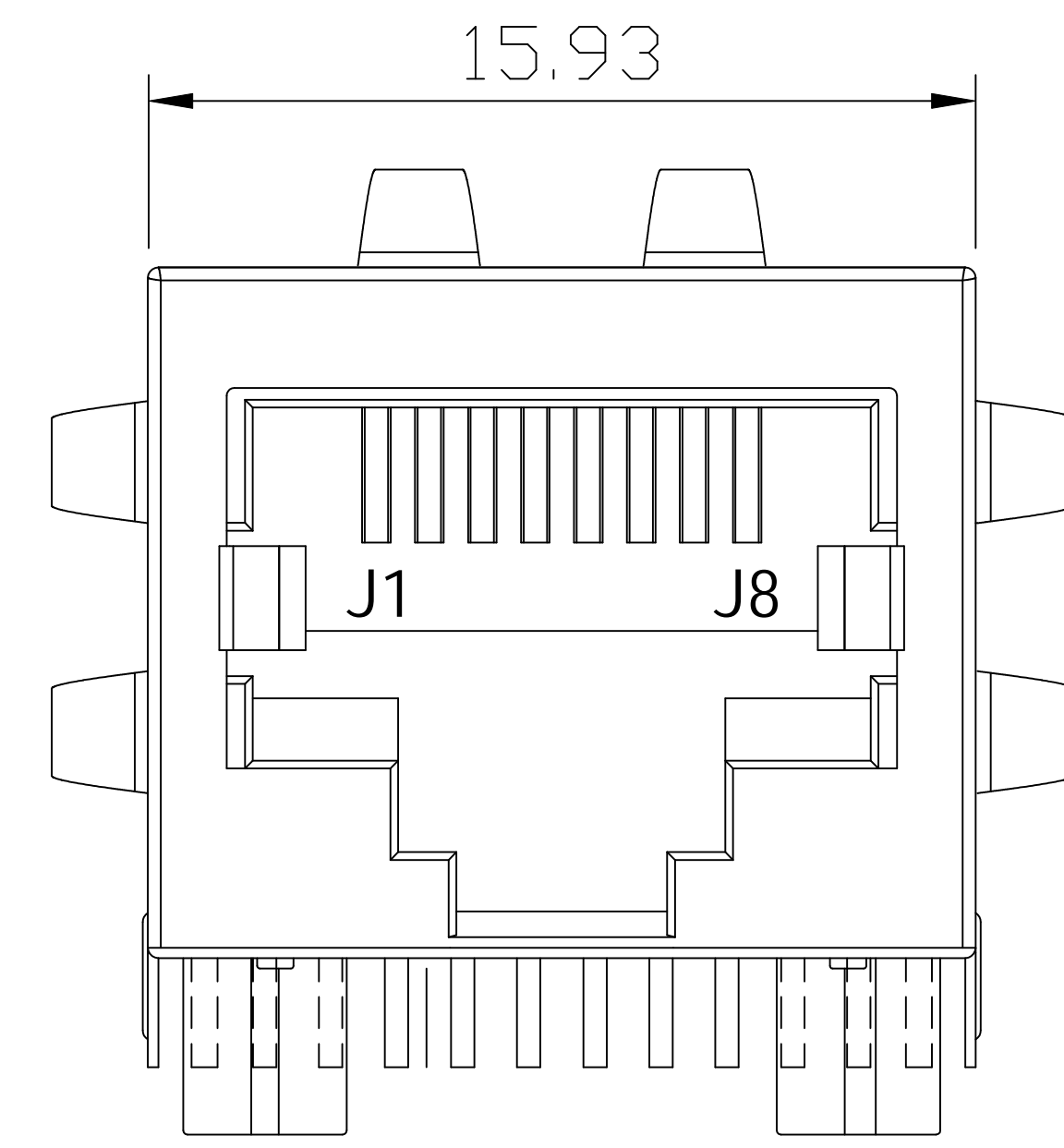
Emitting Color	$\lambda_p$ (nm)	V <sub>F</sub> @I <sub>F</sub> =20mA	I <sub>R</sub> @V <sub>R</sub> =5V
GREEN	565	1.8~2.6V	10 $\mu$ A max
YELLOW	585	1.8~2.6V	10 $\mu$ A max



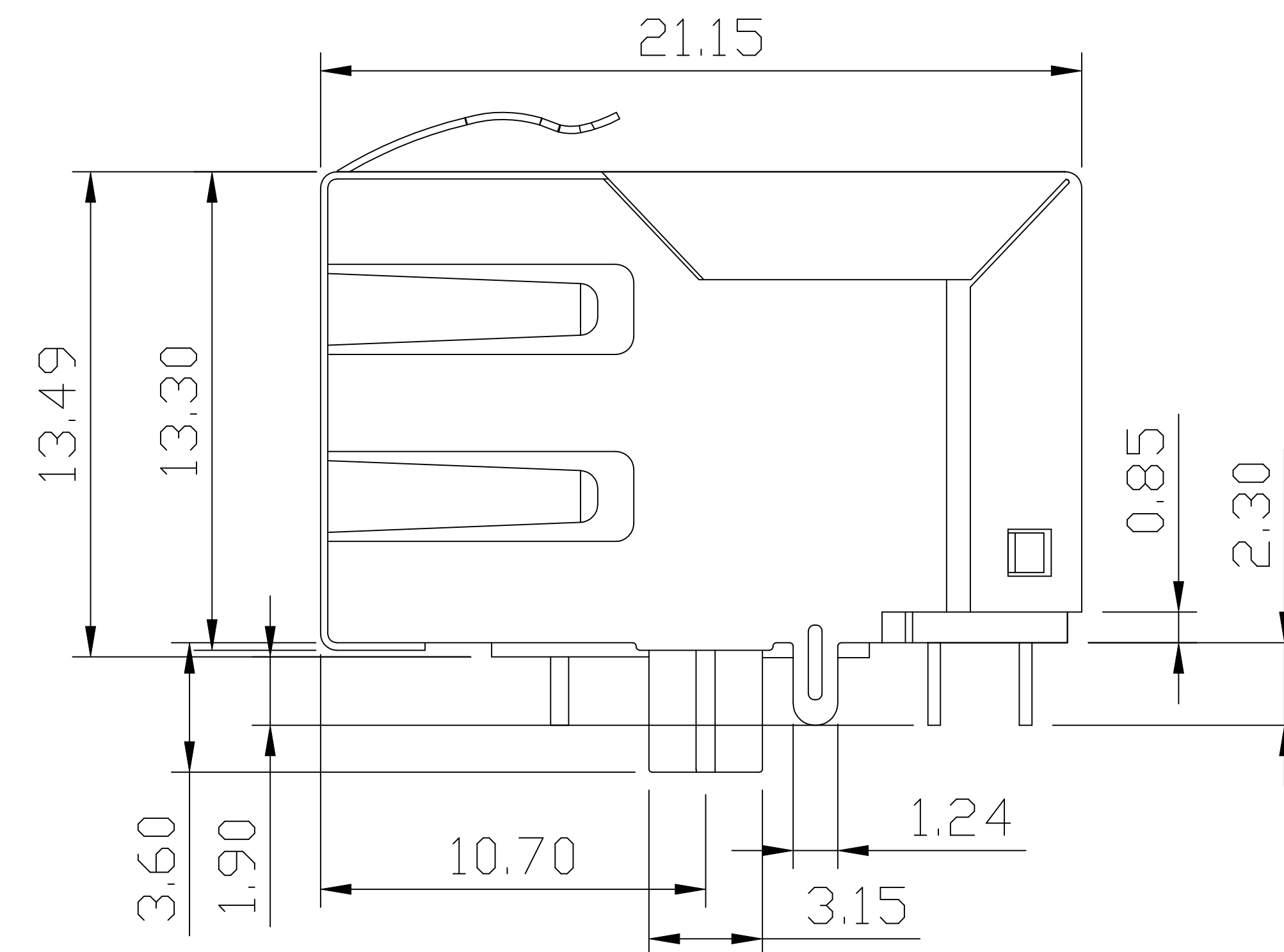
X: X	$\pm 0.30$	APPD: TOM	LINK-PP INT'L TECHNOLOGY CO., LIMITED
X: XX	$\pm 0.25$	CHKD: JAMES	
X: XXX	$\pm 0.05$	DR: LEO	
ANGLES $\pm 1^\circ$		UNIT: mm	TITLE: RJ45 Connector with 10/100 Base-T Integrated Magnetics
			PART NO.: LPJ4011-8G44SOR
	SCALE: 2/1	SHEET: 1/4	REV: A
			DWG NO.: LP19121221

# Mechanical :

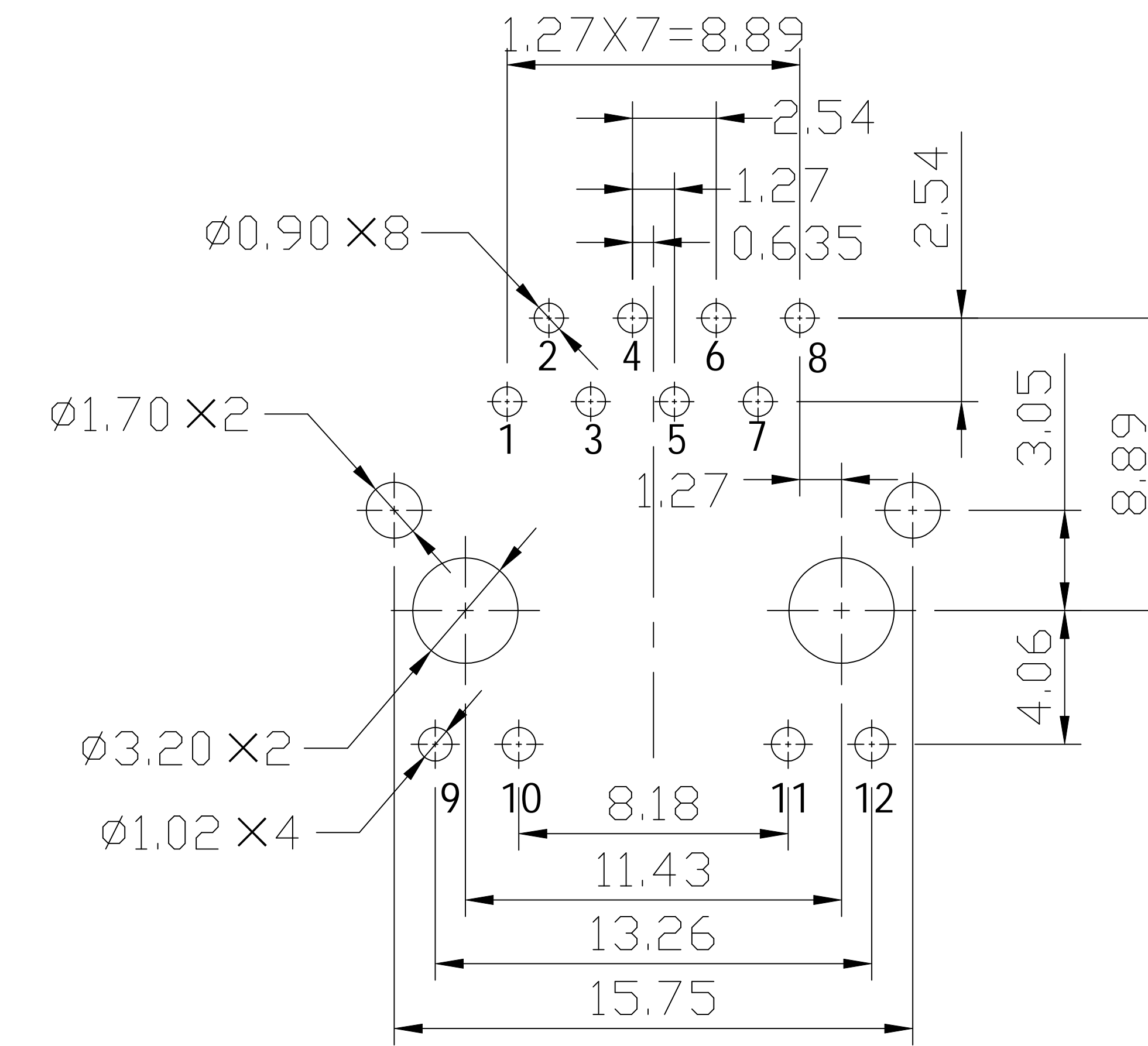
REV.	ECN NO.	DESCRIPTION	DATE	APPD
A	REL		2019-12-12	



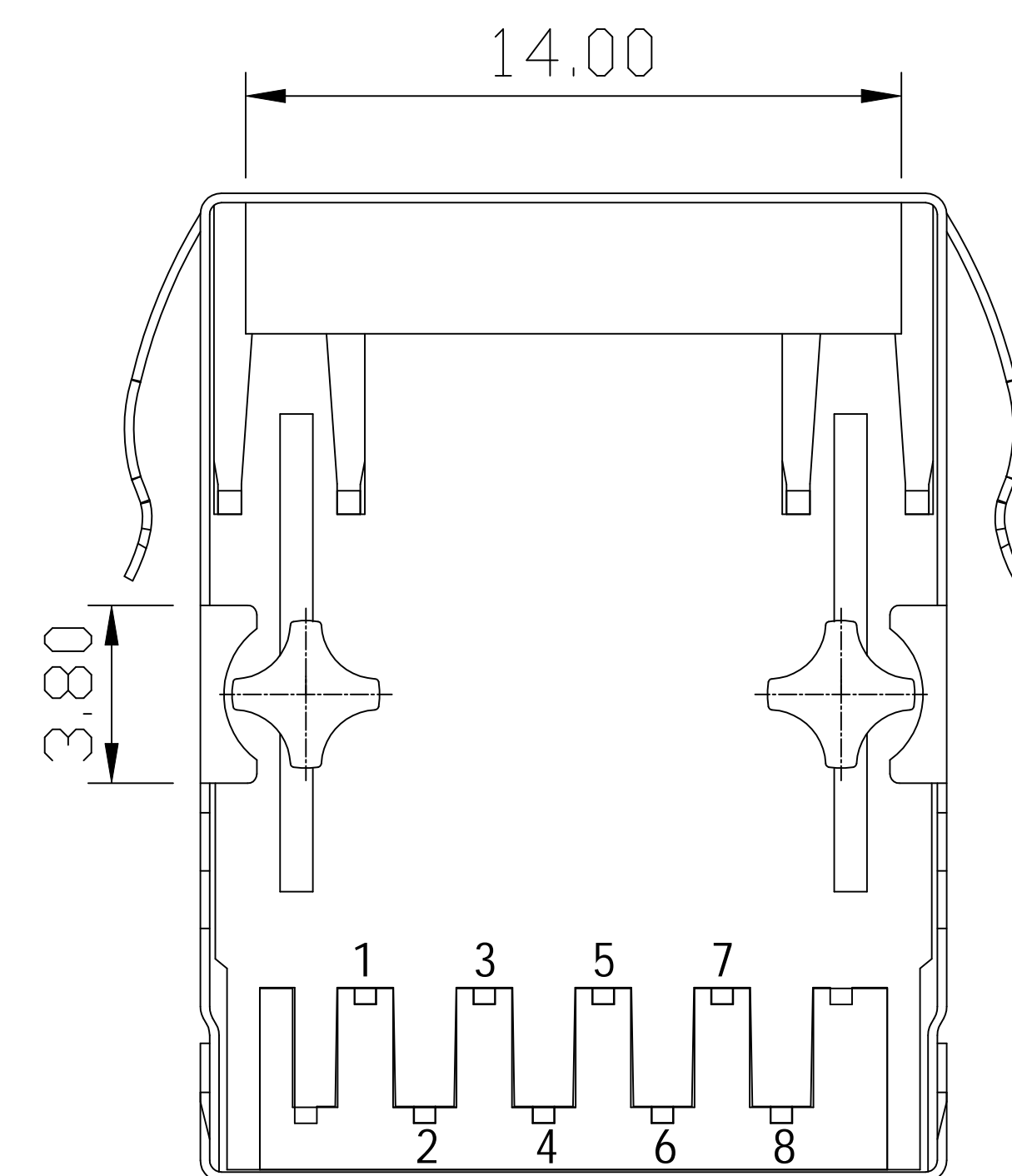
Front Side View



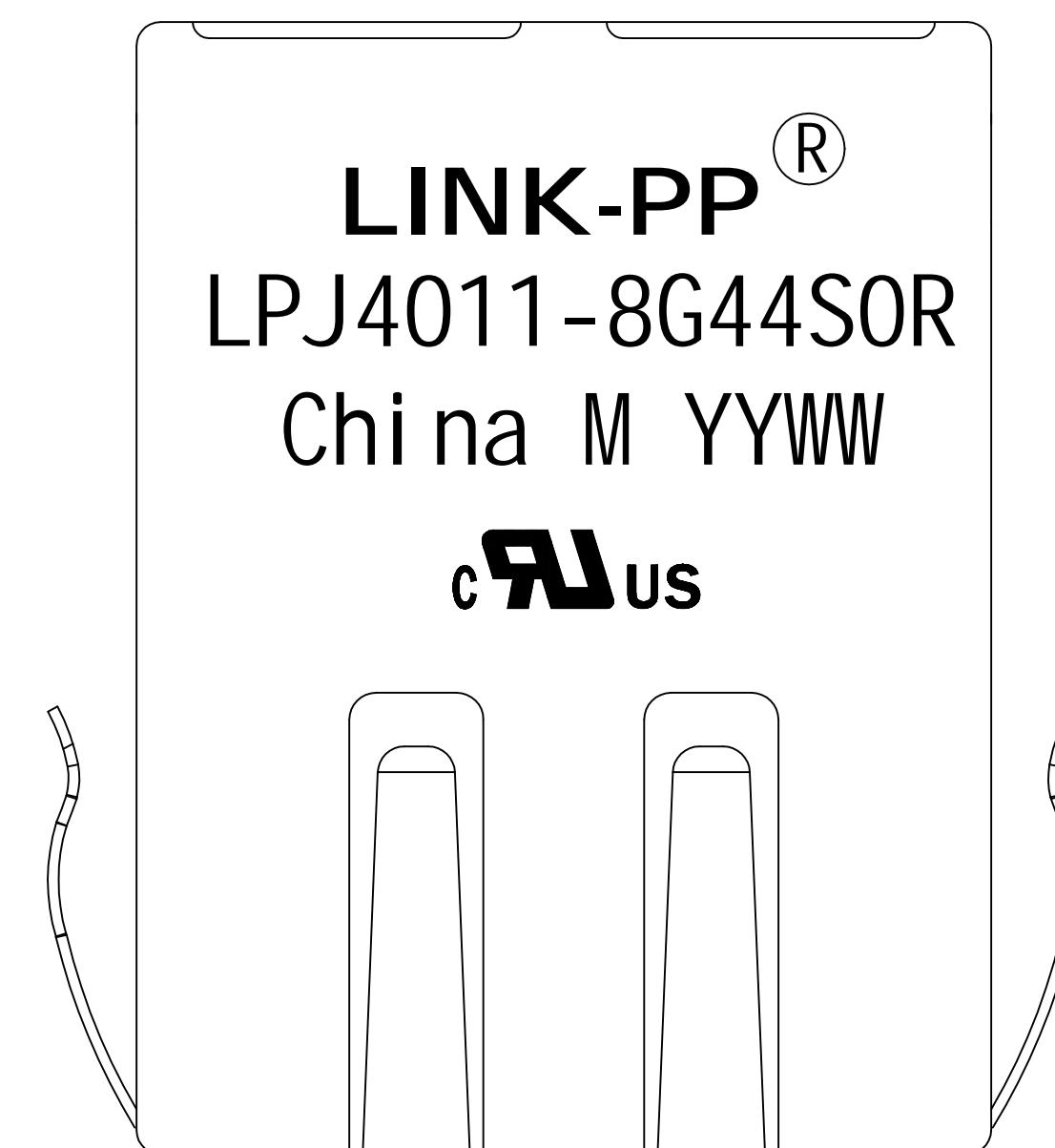
Left Side View



Suggested PCB Layout (Top View)



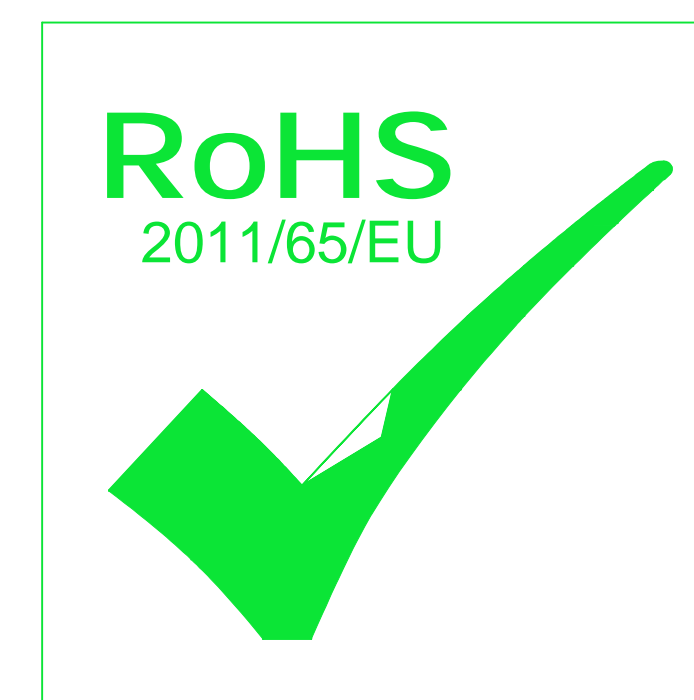
Bottom Side View



Top Side View

### NOTES:

1. Designed to support application, such as SOHO (ADSL modems), LAN-on-Motherboard (LOM), hub and Switches.
2. Meets IEEE802.3 specification.
3. Connector Materials:  
 Housing: Thermoplastic PA46+30%G.F UL94V-0  
 Contact: Phosphor Bronze C5210R-EH Thickness=0.35mm  
 Pins: Brass C2680R-H Thickness=0.35mm  
 Shield: SUS 304-1/2H Thickness=0.2mm  
 Contact plating: Gold 30 micro-inches min. In contact area.
4. Reflow temperature : 250°C, 5 Sec.
5. UL Certification: File Number E484635.

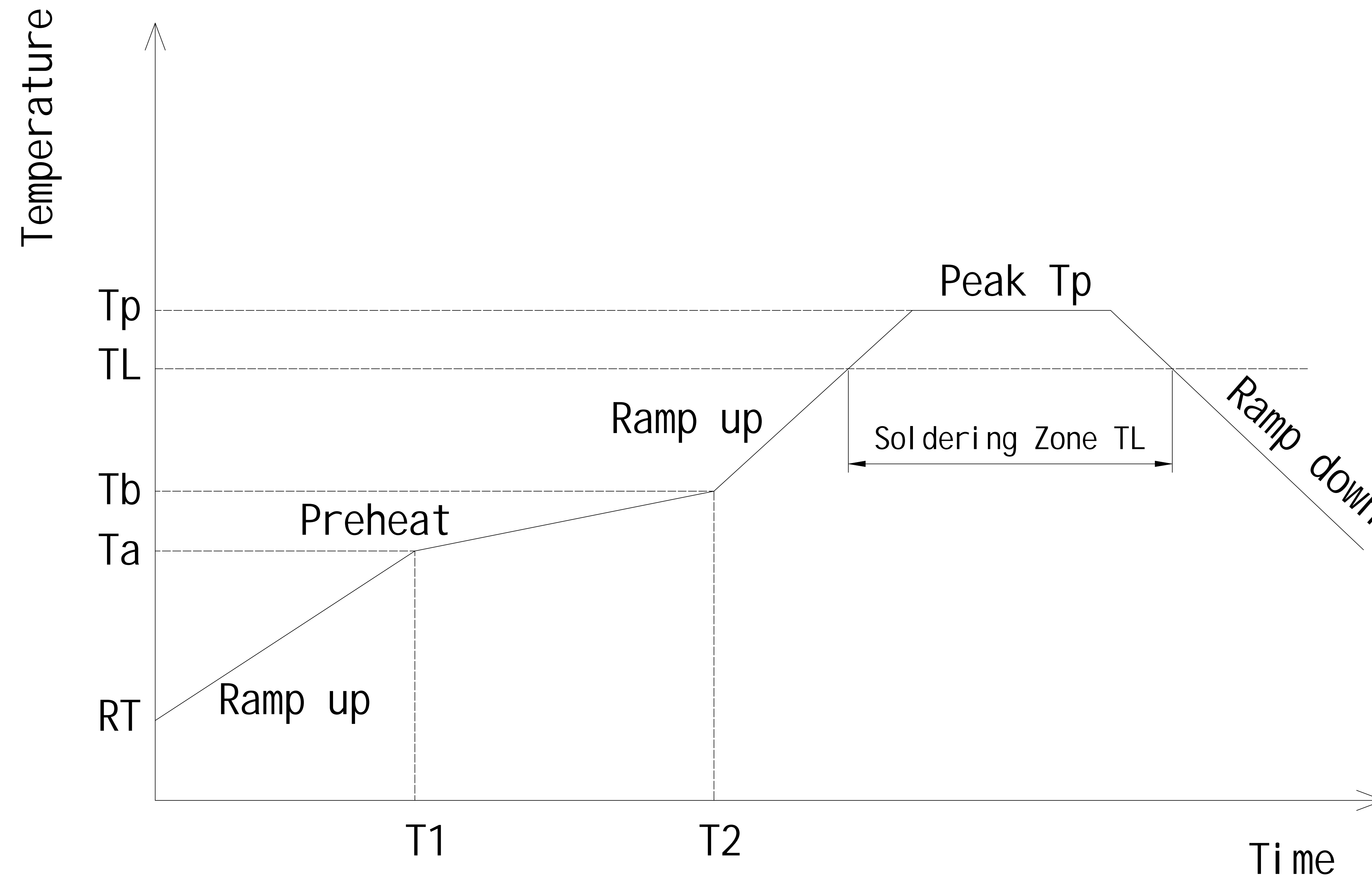


X: X	±0.30	APPD: TOM	LINK-PP INT'L TECHNOLOGY CO., LIMITED
X: XX	±0.25	CHKD: JAMES	
X: XXX	±0.05	DR: LEO	
ANGLES	±1°	UNIT: mm	TITLE: RJ45 Connector with 10/100 Base-T Integrated Magnetics
			PART NO.: LPJ4011-8G44SOR
		SCALE: 2/1	SHEET: 2/4
		REV: A	DWG NO.: LP19121221



# IR Reflow:

REV.	ECN NO.	DESCRIPTION	DATE	APPD
A	REL		2019-12-12	



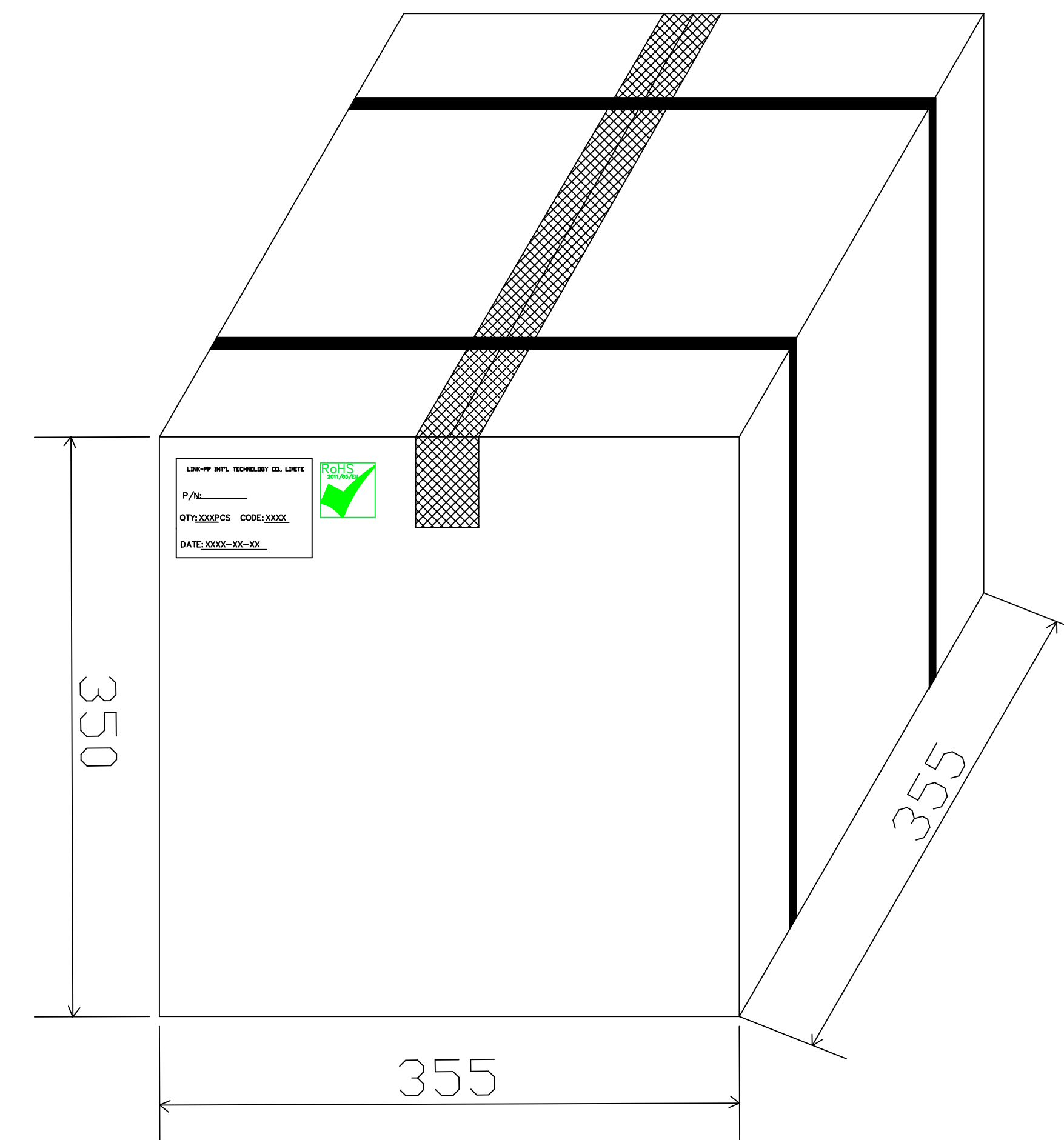
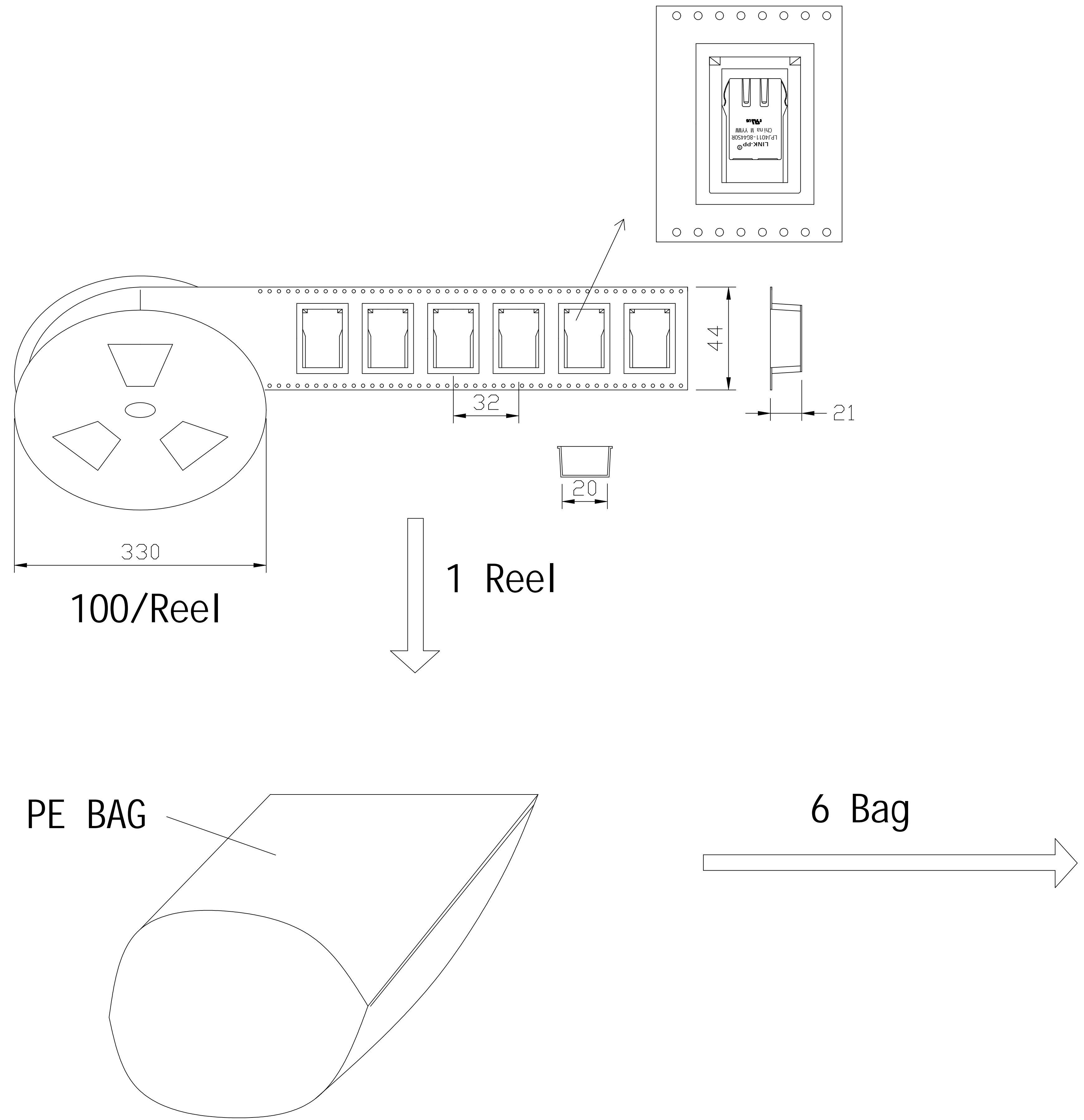
- ◆ Preheat:  
Temperature (Ta-Tb): 150-200°C  
Time (t1-t2): 60-180s
- ◆ Holding Temperature: 217°C  
Time (TL): 60-150s
- ◆ Max Temperature (Tp): 250(+0/-5°C)  
Max Time (Tp): 5s
- ◆ The average speed: 3°C/S Max  
The average cooling speed: 6°C/S Max
- ◆ From 25°C to Products out of the furnace: 6 minutes Max



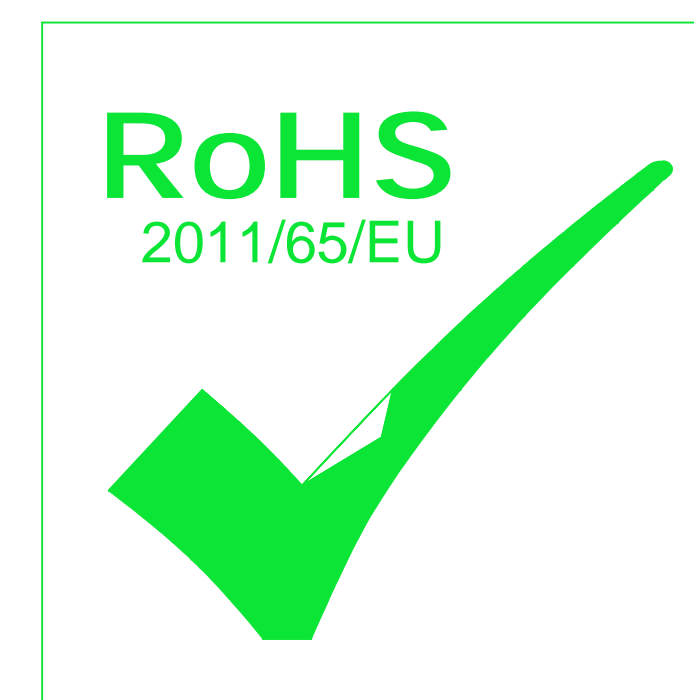
X: X	±0.30	APPD: TOM	LINK-PP INT'L TECHNOLOGY CO., LIMITED	
X: XX	±0.25	CHKD: JAMES	TITLE: RJ45 Connector with 10/100 Base-T Integrated Magnetics	
X: XXX	±0.05	DR: LEO	PART NO.: LPJ4011-8G44SOR	
ANGLES	±1°	UNIT: mm	DWG NO.: LP19121221	
		SCALE: 2/1	SHEET: 3/4	REV: A

# Packaging:

REV.	ECN NO.	DESCRIPTION	DATE	APPD
A	REL		2019-12-12	



- ◆ Packaging unit: 100pcs/reel
- ◆ Packaging way: Carrier tape
- ◆ Outer carton unit: 600pcs/6Reel /box
- ◆ Net Weight: 4.5 kg



X: X	±0.30	APPD: TOM	LINK-PP INT'L TECHNOLOGY CO., LIMITED
X: XX	±0.25	CHKD: JAMES	
X: XXX	±0.05	DR: LEO	TITLE: RJ45 Connector with 10/100 Base-T Integrated Magnetics
ANGLES	±1°	UNIT: mm	PART NO.: LPJ4011-8G44SOR
	SCALE: 2/1	SHEET: 4/4	REV: A
			DWG NO.: LP19121221