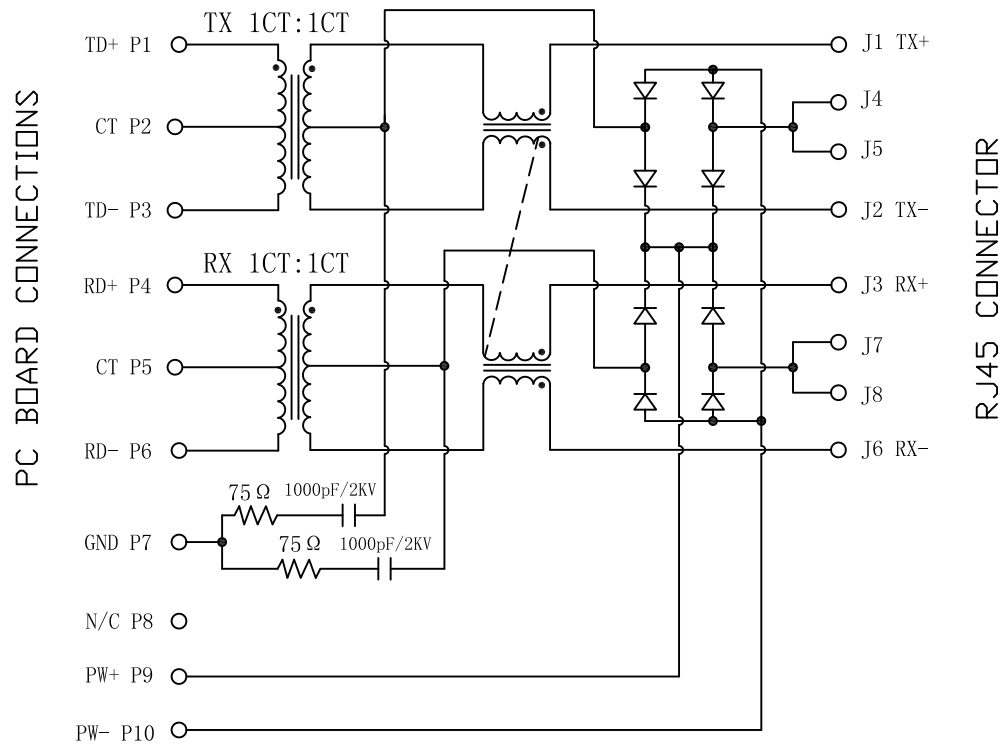


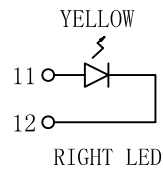
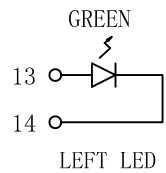
Schematic:

REV.	ECN NO.	DESCRIPTION	DATE	APPD
A	REL		2011/08/25	



ELECTRICAL SPECIFICATIONS @25°C

- Turn Ratio(100KHz, 0.1V):
PINS:(1-3):(J1-J2)=1:1 ±3%
PINS:(4-6):(J3-J6)=1:1 ±3%
- OCL(100KHz, 100mV, 8mA DC Bias):
PINS:(1-3), (4-6)=350uH MIN
- Insertion Loss:
-1.1dB MAX @ 0.1-100MHz
- Return Loss:
-18dB MIN @ 0.5-30MHz
-15.5dB MIN @ 40MHz
-13.6dB MIN @ 50MHz
-12dB MIN @ 60-80MHz
- Cross talk:
-40dB TYP @ 0.1-100MHz
- Common Mode Rejection:
-50dB TYP @ 0.1-30MHz
-40dB TYP @ 30-60MHz
-35dB TYP @ 60-100MHz
- Hipot Test: 1500Vrms
- Operating Temperature: 0°C TO 70°C.



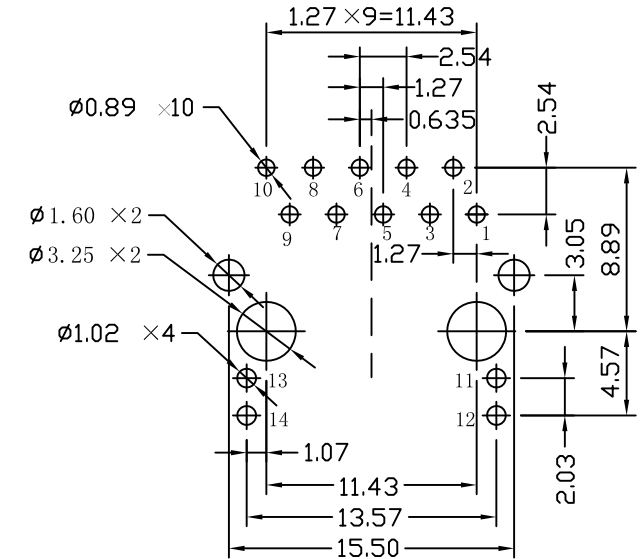
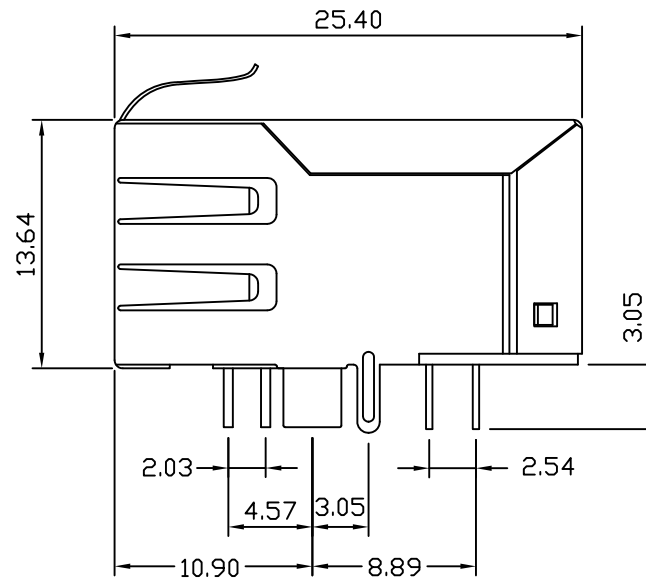
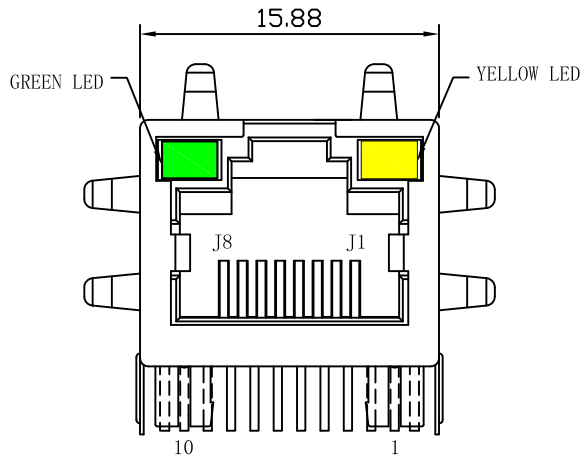
Emitting Color	λ p(nm)	VF@IF=20mA	IR @VR=5V
GREEN	565	1.8~2.6V	10 μ A max
YELLOW	585	1.8~2.6V	10 μ A max



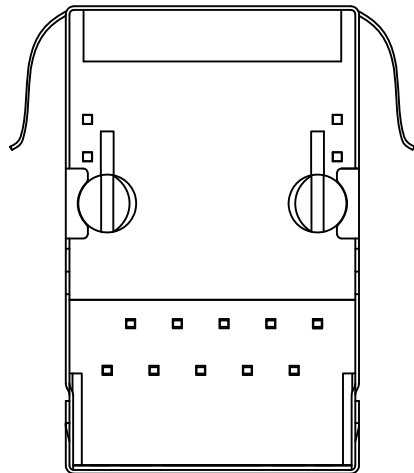
X:X ±0.30	APPD:	LINK-PP INT'L TECHNOLOGY CO., LIMITED
X:XX ±0.25	CHKD:	
X:XXX ±0.05	DR: TOM	TITLE: RJ45 Connector with 10/100 Base-TX Integrated Magnetics For PoE Application
ANGLES ±1°	UNIT: mm	PART NO.: LPJ3190AENL
	SCALE: 2/1	SHEET: 1/2
	REV: A	DWG NO.: LP11082501

Mechanical:

REV.	ECN NO.	DESCRIPTION	DATE	APPD
A	REL		2011/08/25	



SUGGESTED PCB LAYOUT (TOP VIEW)



NOTES:

1. Designed to support application, such as SOHO (ADSL modems), LAN-on-Motherboard (LOM), hub and Switches.
2. Designed for PoE, IEEE 802.3af applications
3. Power on used for unused pairs for up to 350mADC.
4. Connector Materials:
Housing: Thermoplastic UL94V-0
Contact/Shield: Copper alloy
Shield plating: Nickel
Contact plating: Gold 6 micro-inches min. In contact area.
5. Wave solder tip temperature: 265°C Max, 5 Sec Max



X:X	±0.30	APPD:	LINK-PP INT'L TECHNOLOGY CO., LIMITED	
X:XX	±0.25	CHKD:	TITLE: RJ45 Connector with 10/100 Base-TX Integrated Magnetics For PoE Application	
X:XXX	±0.05	DR: TOM	PART NO.: LPJ3190AENL	
ANGLES	±1°	UNIT: mm	DWG NO.: LP11082501	
	SCALE: 2/1	SHEET: 2/2	REV: A	