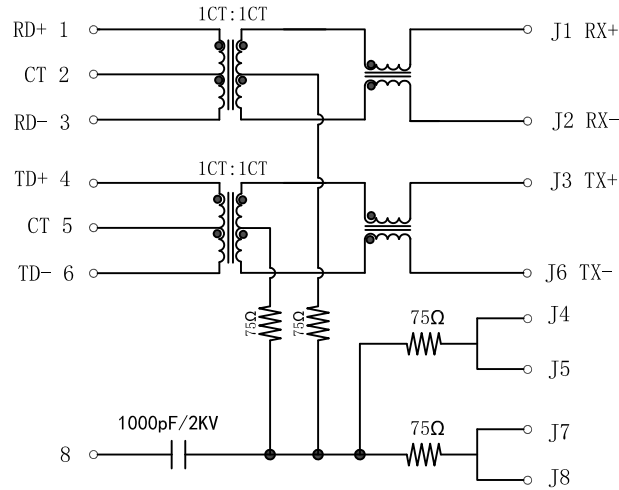


Schematic:

REV.	ECN NO.	DESCRIPTION	DATE	APPD
A	REL		2014-04-08	

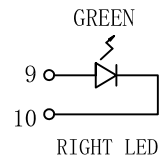
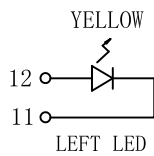
PC BOARD CONNECTIONS



RJ45 CONNECTOR

Electrical Specifications @25°C

- Turns Ratio (@100KHz/100mV) :
TX=1CT:1CT RX=1CT:1CT
- OCL: 350uH Min
@100KHz, 0.1Vrms, 8mA
- Insertion Loss:
1-100MHz:-1.0dB Max
- Return Loss(dB Min @100Ω):
1-30MHz:-18 30-60MHz:-16
60-80MHz:-12
- Crosstalk(dB Min):
1-10MHz:-40 30-60MHz:-35
60-100MHz:-30
- Common Mode Rejection(dB Min):
1-50MHz:-30 50-130MHz:-20
- Isolation Voltage: 1500Vrms Min
- Operating Temperature: -40°C ~ +85°C.

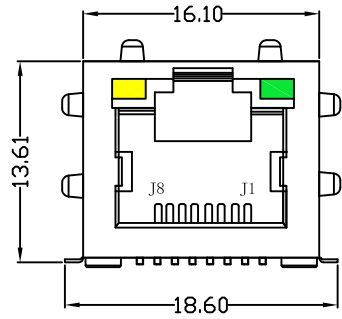


Emitting Color	λ p(nm)	VF@IF=20mA	IR @VR=5V
GREEN	565	1.8~2.4V	10 μ A max
YELLOW	585	1.8~2.4V	10 μ A max

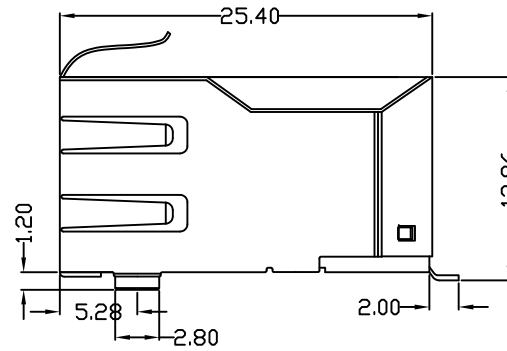
X:X ±0.30	APPD:	LINK-PP INT'L TECHNOLOGY CO., LIMITED
X:XX ±0.25	CHKD:	
X:XXX ±0.05	DR: TOM	TITLE: Surface Mount 1×1 Tab-Up Jack With 10/100M Magnetic
ANGLES ±1°	UNIT: mm	PART NO.: LPJ3007AANL
	SCALE: 2/1	SHEET: 1/2
	REV: A	DWG NO.: LP14040801

Mechanical:

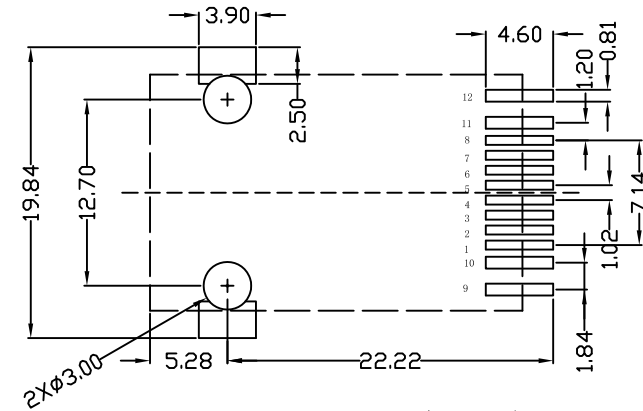
REV.	ECN NO.	DESCRIPTION	DATE	APPD
A	REL		2014-04-08	



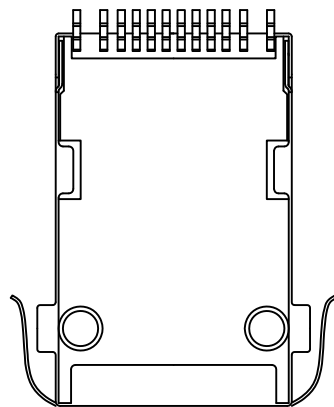
Front Side View



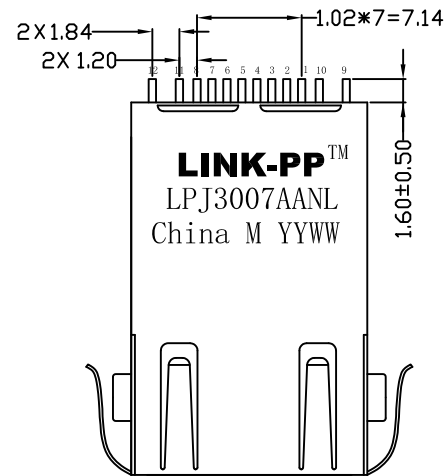
Left Side View



Suggested PCB Layout (Top View)



Bottom Side View



Top Side View

NOTES:

1. Designed to support application, such as SOHO (ADSL modems), LAN-on-Motherboard (LOM), hub and Switches.
2. Meets IEEE 802.3 specification
3. Connector Materials:
 Housing Material: Thermoplastic LCP+30%G. F UL94V-0
 Contact Material: Phosphor Bronze C5210R-EH Thickness=0.35mm
 Pins: Brass C2680R-H Thickness=0.35mm
 Shield: SUS 201-1/2H Thickness=0.2mm
 Contact plating: Gold 6 micro-inches min. In contact area.
4. Maximum reflow temperature is 250°C, 5 Sec.
5. UL Certification: File Number E484635.

X:X	±0.30	APPD:	LINK-PP INT'L TECHNOLOGY CO., LIMITED	
X:XX	±0.25	CHKD:	TITLE: Surface Mount 1×1 Tab-Up Jack With 10/100M Magnetic	
X:XXX	±0.05	DR: TOM	PART NO.: LPJ3007AANL	
ANGLES	±1°	UNIT: mm	DWG NO.: LP14040801	
		SCALE: 2/1	SHEET: 2/2	REV: A