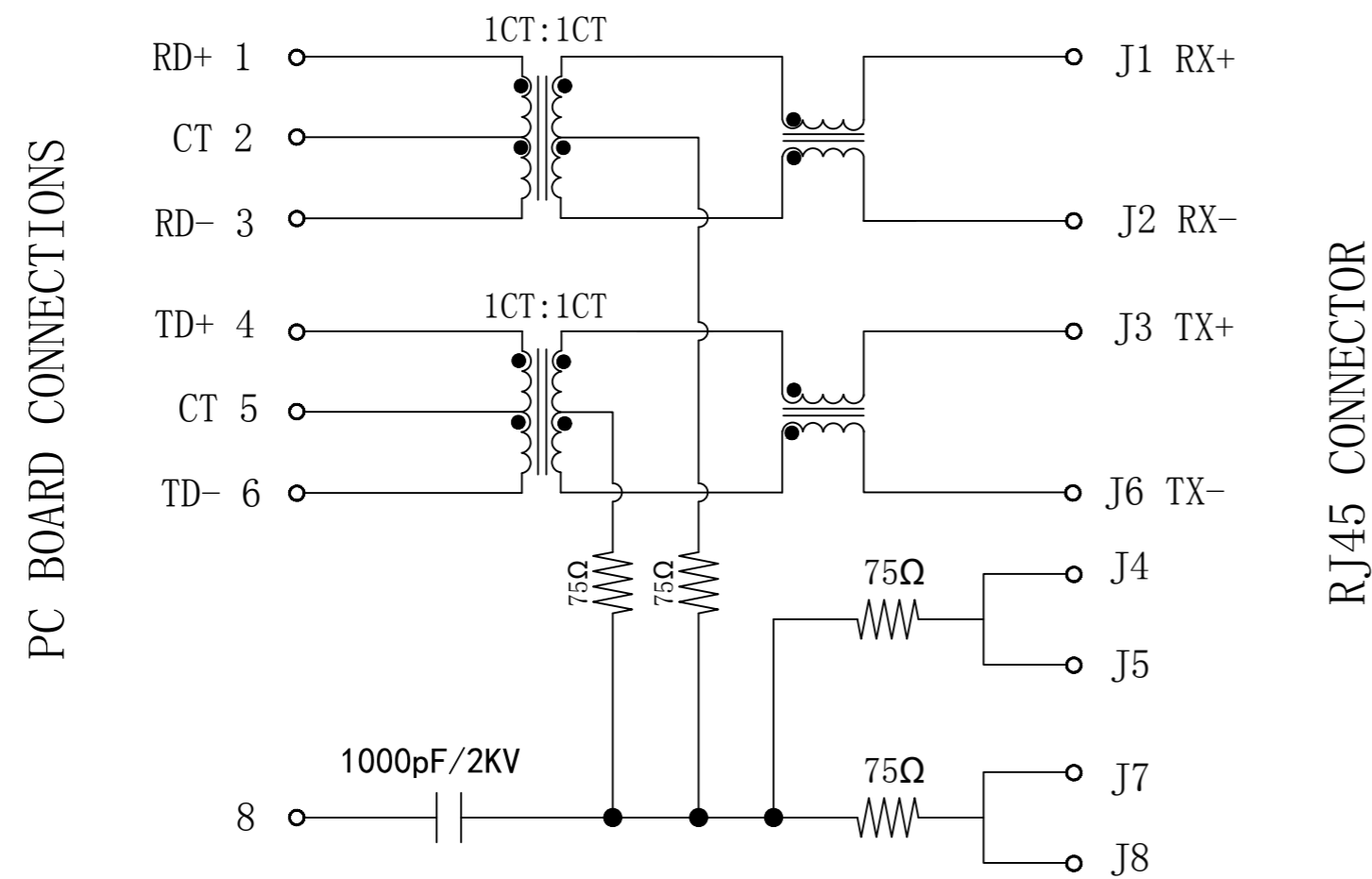


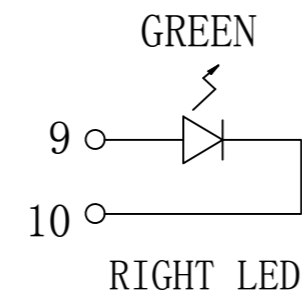
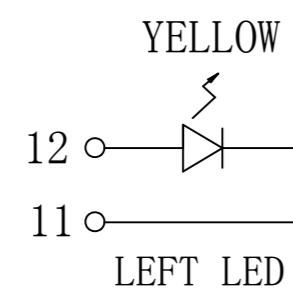
# Schematic:

REV.	ECN NO.	DESCRIPTION	DATE	APPD
A	REL		2014-04-08	



### Electrical Specifications @25°C

- Turns Ratio (@100KHz/100mV) :  
TX=1CT:1CT      RX=1CT:1CT
- OCL: 350uH Min  
@100KHz, 0.1Vrms, 8mA
- Insertion Loss:  
1-100MHz:-1.0dB Max
- Return Loss(dB Min @100Ω):  
1-30MHz:-18      30-60MHz:-16  
60-80MHz:-12
- Crosstalk(dB Min):  
1-10MHz:-40      30-60MHz:-35  
60-100MHz:-30
- Common Mode Rejection(dB Min):  
1-50MHz:-30      50-100MHz:-20
- Isolation PHY SIDE To Line SIDE : 1500Vrms
- Operating Temperature: -40°C ~ +85°C.



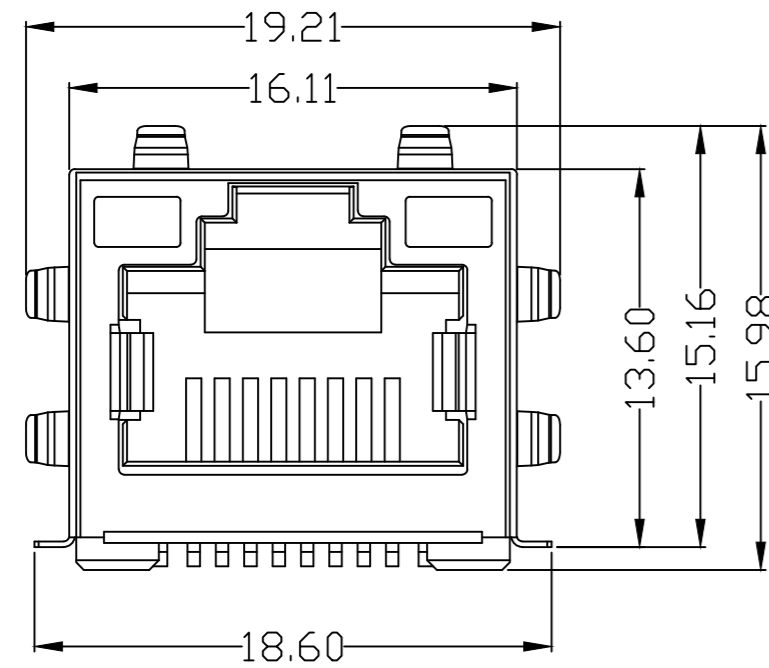
Emitting Color	$\lambda_p$ (nm)	V <sub>F</sub> @I <sub>F</sub> =20mA	I <sub>R</sub> @V <sub>R</sub> =5V
GREEN	565	1.8~2.4V	10 $\mu$ A max
YELLOW	585	1.8~2.4V	10 $\mu$ A max



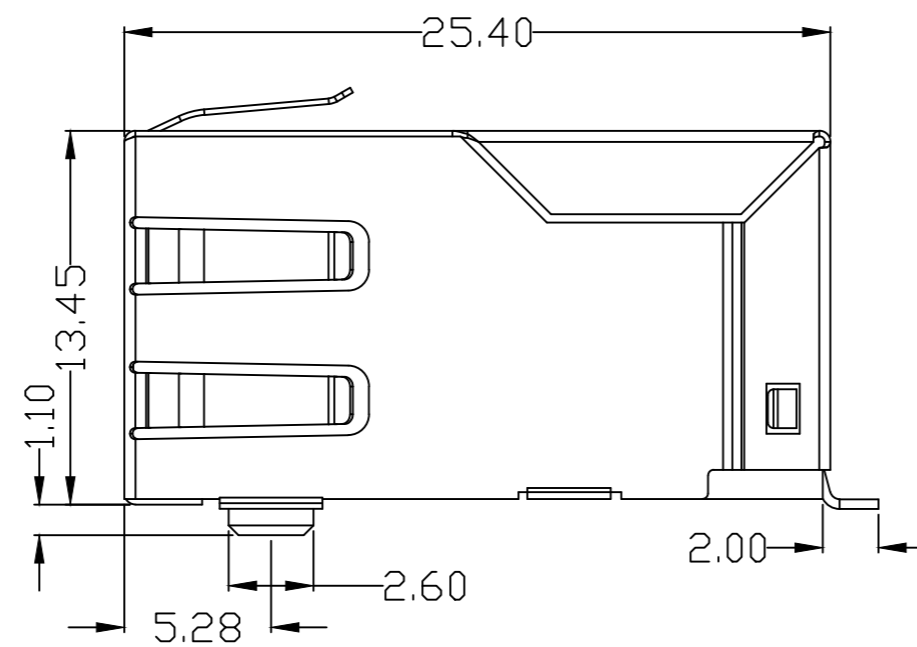
X:X	$\pm 0.30$	APPD: TOM	LINK-PP INT'L TECHNOLOGY CO., LIMITED
X:XX	$\pm 0.25$	CHKD: JAMES	
X:XXX	$\pm 0.05$	DR: LEO	TITLE: Surface Mount 1×1 Tab-Up Jack With 10/100M Magnetic
ANGLES	$\pm 1^\circ$	UNIT: mm	PART NO.: LPJ3007AANL
	SCALE: 2/1	SHEET: 1/2	REV: A      DWG NO.: LP14040801

# Mechanical:

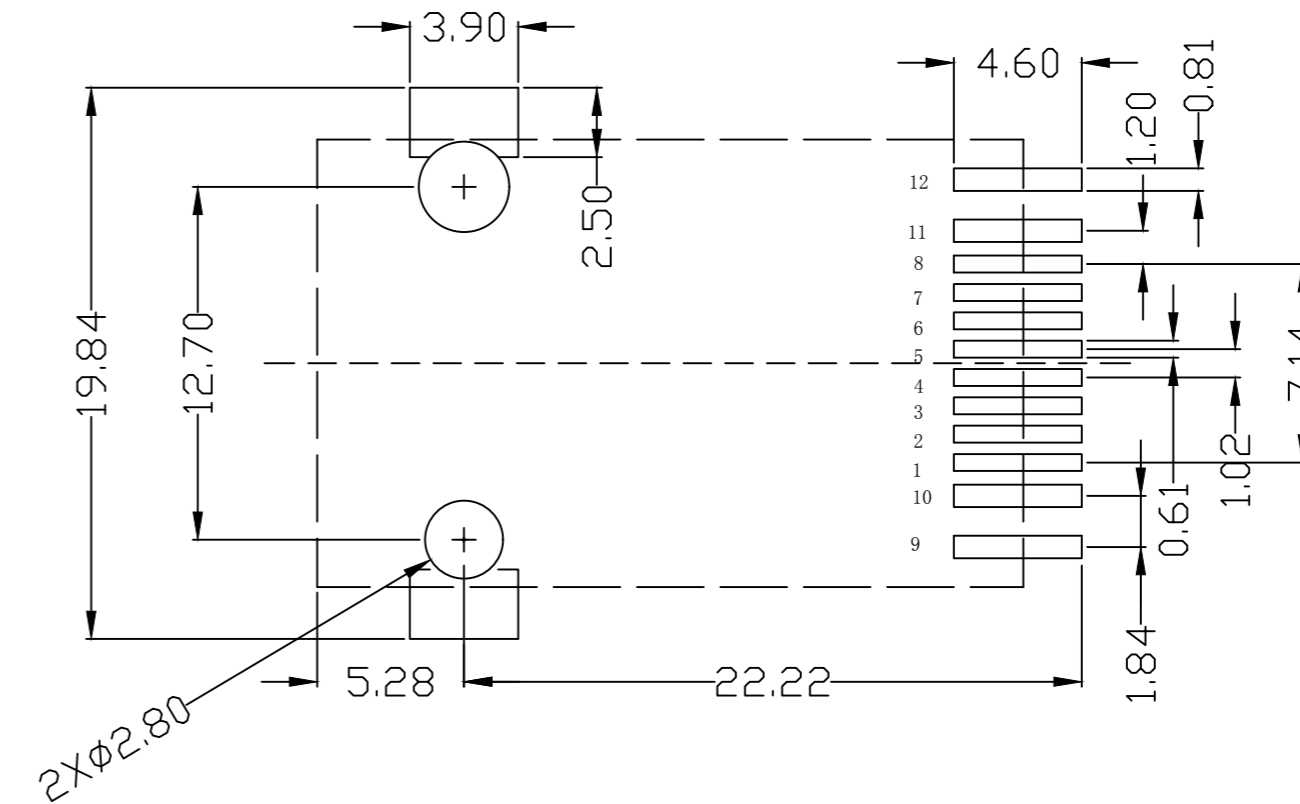
REV.	ECN NO.	DESCRIPTION	DATE	APPD
A	REL		2014-04-08	



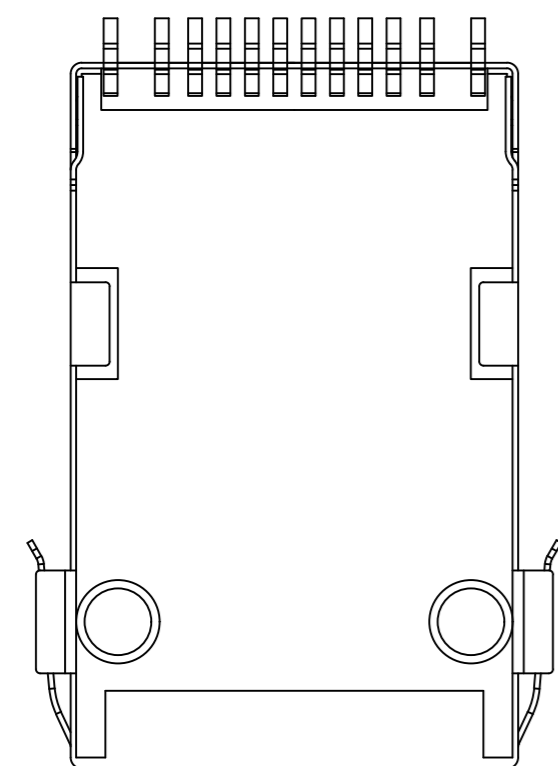
Front Side View



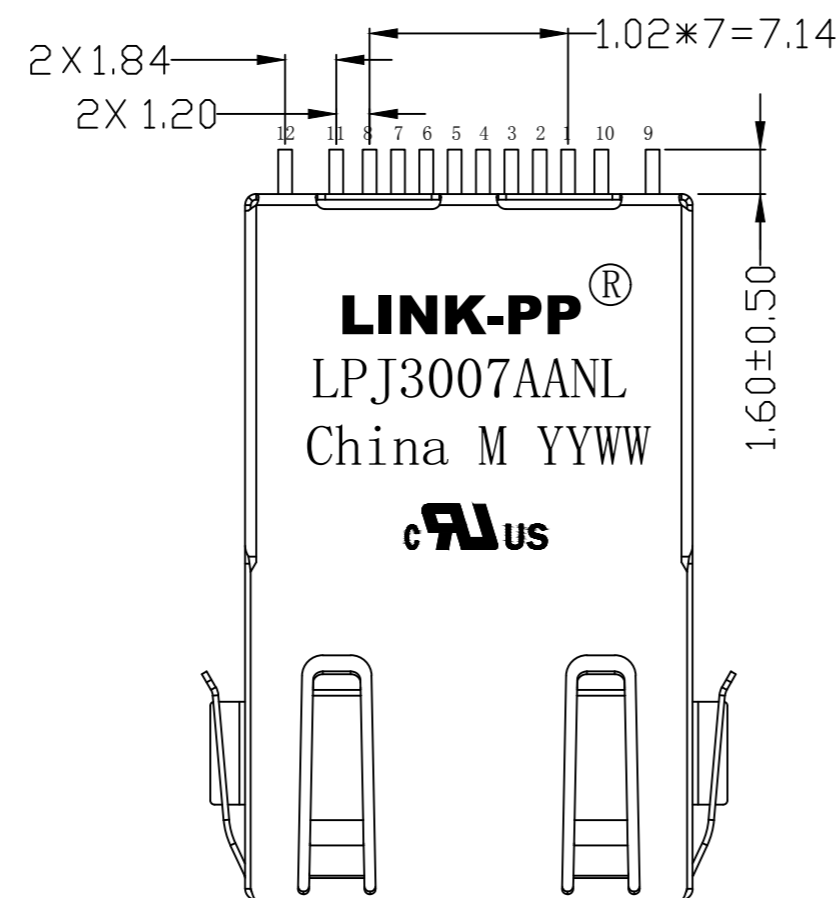
Left Side View



Suggested PCB Layout



Bottom Side View



Top Side View

## NOTES:

1. Meets IEEE 802.3 specification
2. Connector Materials:  
 Housing Material: Thermoplastic LCP+30%G.F UL94V-0  
 Contact Material: Phosphor Bronze C5210R-EH Thickness=0.35mm  
 Pins: Brass C2680R-H Thickness=0.35mm  
 Shield: SUS 201-1/2H Thickness=0.2mm  
 Contact plating: Gold 6 micro-inches min. In contact area.
3. Reflow temperature : 250°C, 5 Sec.
4. UL Certification: File Number E484635.



X:X	±0.30	APPD:	TOM	LINK-PP INT'L TECHNOLOGY CO., LIMITED
X:XX	±0.25	CHKD:	JAMES	
X:XXX	±0.05	DR:	LEO	TITLE: Surface Mount 1×1 Tab-Up Jack With 10/100M Magnetic
ANGLES	±1°	UNIT:	mm	PART NO.: LPJ3007AANL
	SCALE:	2/1	SHEET:	2/2
	REV:	A	DWG NO.:	LP14040801