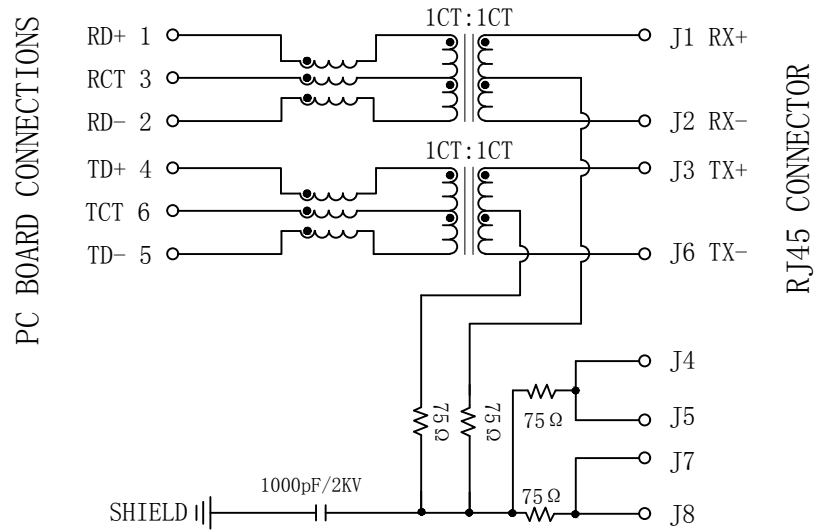


Schematic:

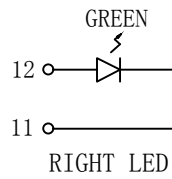
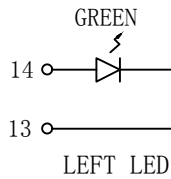
REV.	ECN NO.	DESCRIPTION	DATE	APPD
A6	REL		2013/03/21	



Electrical Specifications @25°C

1. OCL (100KHz, 0.1V, 8mA DC BIAS):
350uH MIN
2. Insertion Loss:
0.5~100MHz: -1.1dB MAX
3. Return Loss:
0.5~30MHz: -18dB MIN
30.1~60MHz: $-[18-20\text{LOG}(f/30)]$ dB MIN.
60.1~80MHz: -12dB MIN
4. Crosstalk:
0.5~40MHz: -35dB MIN
40.1~100MHz: $-[33-20\text{LOG}(f/50)]$ dB MIN.
5. Common Mode Rejection Ratio:
0.5~100MHz: -30dB MIN
6. Isolation PHY SIDE To Line SIDE : 1500Vrms
7. Operating Temperature: 0°C TO +70°C.

Emitting Color	λ_p (nm)	V _F @I _F =20mA	I _R @V _R =5V
GREEN	565	1.8~2.6V	10 μ A max



X:X	±0.30	APPD: TOM	LINK-PP INT'L TECHNOLOGY CO., LIMITED	
X:XX	±0.25	CHKD: JAMES	TITLE: RJ45 Connector With 10/100 Base-T Integrated Magnetic TAB UP	
X:XXX	±0.05	DR: LEO	PART NO.: LPJ281443AWNLV	
ANGLES	±1°	UNIT: mm		
	SCALE: 2/1	SHEET: 1/2	REV: A6	DWG: LP13032103

