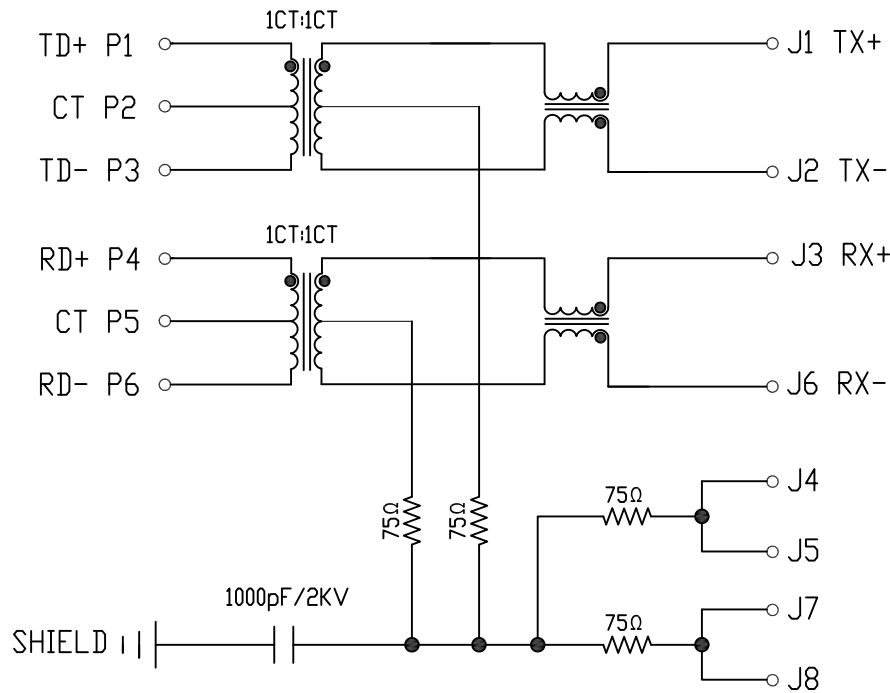


Schematic:

REV.	ECN NO.	DESCRIPTION	DATE	APPD
A	REL		2015/10/27	

PCB CONNECTIONS

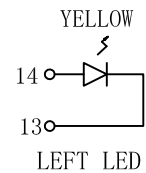


RJ45 CONNECTOR

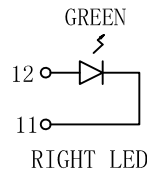
Electrical Specification @25°C

- Turns Ratio ($\pm 2\%$):
(P1-P3) : (J1-J2) = 1:1
(P4-P6) : (J3-J6) = 1:1
- Inductance: 350uH MIN
@0.1V, 0.1MHz, 8mA DC Bias
- Return Loss:
1-30MHz: -18dB min
30-80MHz: -12dB min
- Insertion Loss:
0.1-100MHz: -1.2dB max
- Cross talk:
1-100MHz: -40dB
- Common to Mode Rejection
30-100MHz: -35dB
- Hipot: 1500Vrms
- Operating Temperature: $-40^{\circ}\text{C} \sim +85^{\circ}\text{C}$.

Emitting Color	$\lambda_p(\text{nm})$	VF@IF=20mA	IR @VR=5V
GREEN	565	1.8~2.6V	10 μA max
YELLOW	585	1.8~2.6V	10 μA max



LED POLARITY		COLOR
PIN 14	PIN 13	
+	-	YELLOW



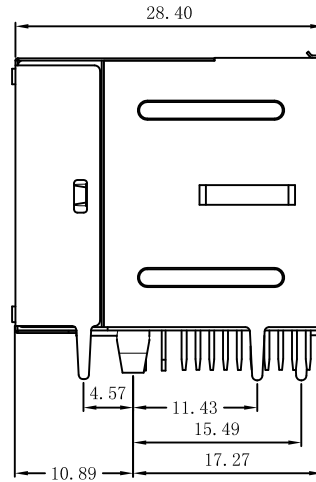
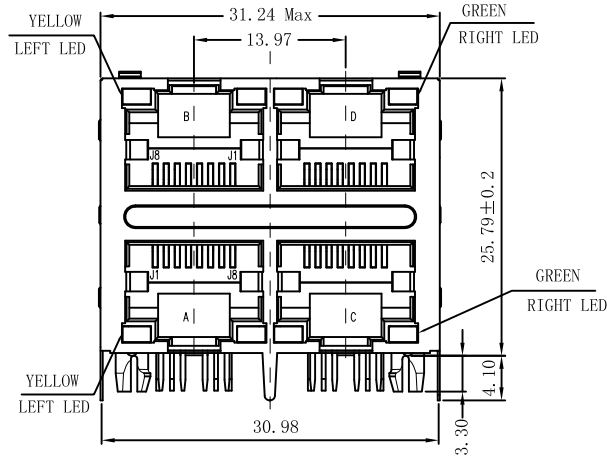
LED POLARITY		COLOR
PIN 12	PIN 11	
+	-	GREEN



X:X	± 0.30	APPD:	LINK-PP INT'L TECHNOLOGY CO., LIMITED
X:XX	± 0.25	CHKD:	
X:XXX	± 0.05	DR: TOM	TITLE: RJ45 Transformer. 10/100 Base-T W/LED. 2x2 Ports
ANGLES	$\pm 1^{\circ}$	UNIT: mm	PART NO.: LPJ27434-8BGNL
	SCALE: 2/1	SHEET: 1/2	REV: A
			DWG NO.: LP15102749

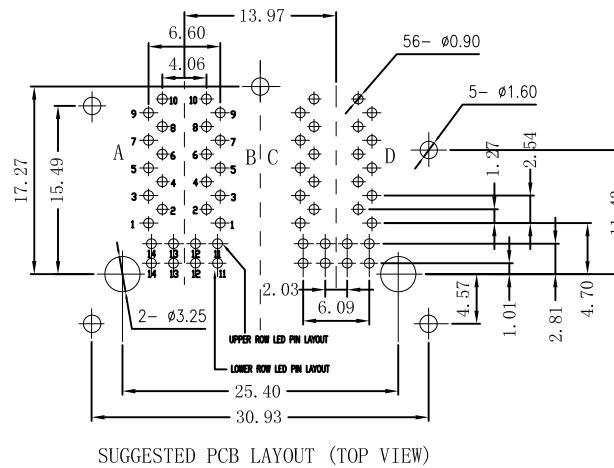
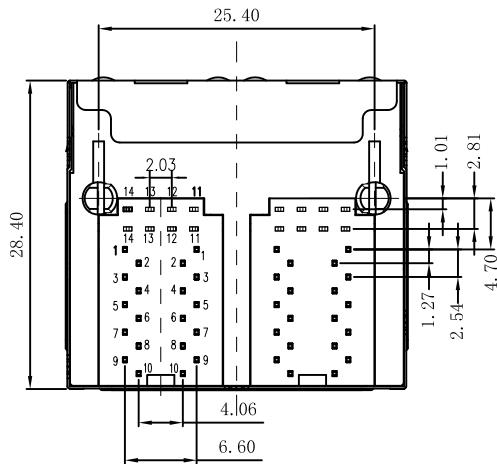
Mechanical :

REV.	ECN NO.	DESCRIPTION	DATE	APPD
A	REL		2015/10/27	



NOTES:

1. Designed to support application, such as SOHO (ADSL modems), LAN-on-Motherboard (LOM), hub and Switches.
2. Meets IEEE 802.3 specification
3. Connector Materials:
Housing: Thermoplastic UL94V-0
Contact/Shield: Copper alloy
Shield plating: Nickel
Contact plating: Gold 30 micro-inches min. In contact area.
4. Wave solder tip temperature: 265°C Max, 5 Sec.
5. UL Certification: File Number E484635.



X:X	±0.30	APPD:	LINK-PP INT'L TECHNOLOGY CO., LIMITED
X:XX	±0.25	CHKD:	
X:XXX	±0.05	DR: TOM	TITLE: RJ45 .Transformer.10/100 Base-T W/LED.2×2 Ports
ANGLES	±1°	UNIT: mm	PART NO.: LPJ27434-8BGNL
	SCALE: 2/1	SHEET: 2/2	REV: A DWG NO.: LP15102749