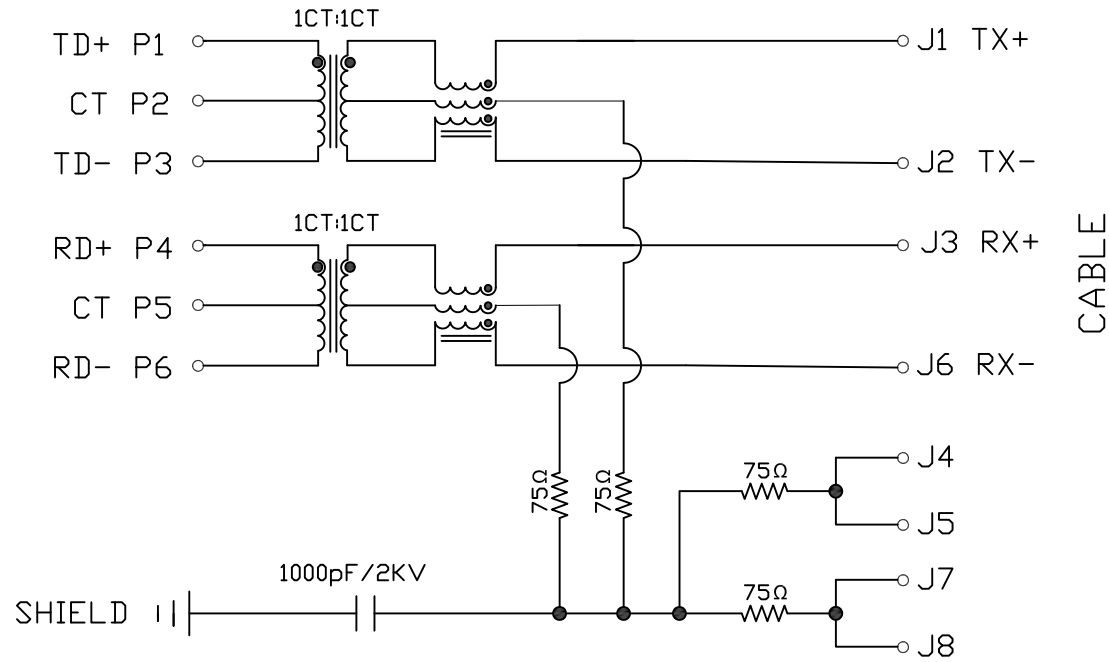


# Schematic:

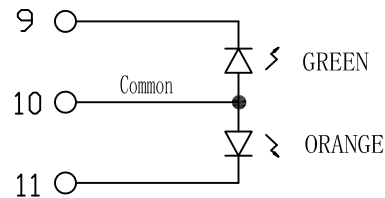
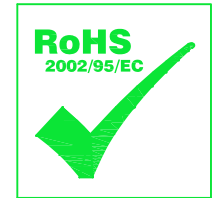
REV.	ECN NO.	DESCRIPTION	DATE	APPD
A	REL		2016/09/30	

PCB SIDE TO PHY



Electrical Specifications: @25°C

- Turns Ratio ( $\pm 3\%$ ):  
TX=1CT:1CT      RX=1CT:1CT
- Inductance (@100KHz, 0.1V, 8mA DC Bias):  
350uH MIN
- Insertion Loss:  
0.1-100MHz: -1.0dB MAX
- Return Loss:  
1-30MHz: -16dB MIN  
40MHz: -14dB MIN  
50MHz: -13dB MIN  
60-80MHz: -12dB MIN
- Crosstalk:  
0.1-100MHz: -35dB MIN
- Common Mode Rejection:  
32MHz: -42dB MIN  
62MHz: -37dB MIN  
100MHz: -33dB MIN
- Hi-Pot (Isolation Voltage):  
1500Vrms MIN
- Operating Temperature: -40°C ~ +85°C.



LED POLARITY			COLOR
PIN 9	PIN 10	PIN 11	
-	+	/	GREEN
/	+	-	ORANGE

Emitting Color	$\lambda$ p(nm)	VF@IF=20mA	IR @VR=5V
GREEN	565	1.8~2.6V	10 $\mu$ A max
ORANGE	610	1.8~2.6V	10 $\mu$ A max

X:X	$\pm 0.30$	APPD:	LINK-PP INT'L TECHNOLOGY CO., LIMITED
X:XX	$\pm 0.25$	CHKD:	
X:XXX	$\pm 0.05$	DR: TOM	TITLE: RJ45 10/100 Base-T Transformer W/LED 2x2 Ports
ANGLES	$\pm 1^\circ$	UNIT: mm	PART NO.: LPJ27335A48NL
	SCALE: 2/1	SHEET: 1/2	REV: A      DWG NO.: LP16093001

