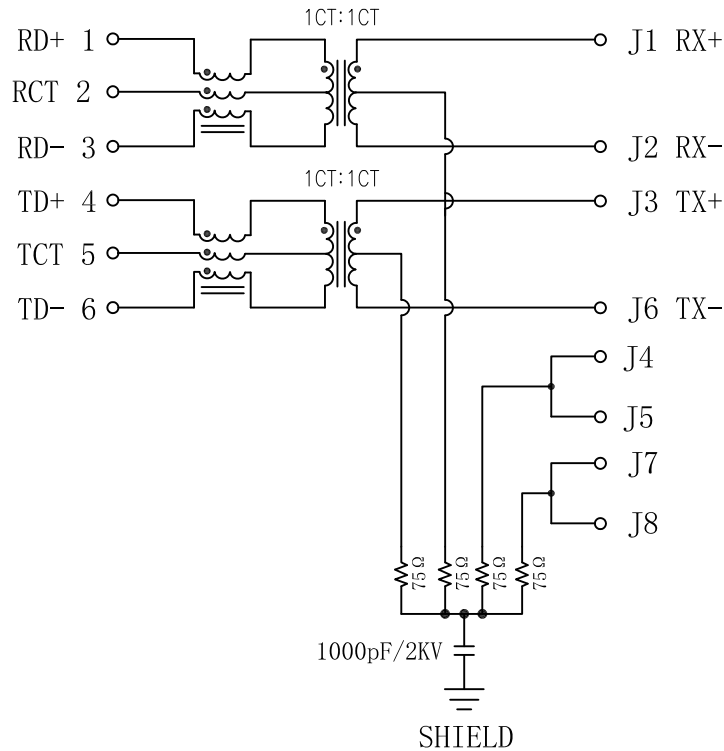


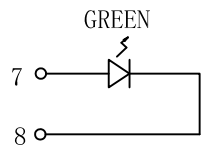
Schematic:

REV.	ECN NO.	DESCRIPTION	DATE	APPD
A	REL		2018/01/08	

PC BOARD CONNECTIONS

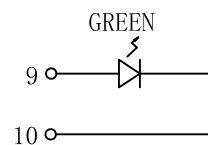


RJ45 CONNECTOR



LEFT LED

LED POLARITY		COLOR
PIN 7	PIN 8	
+	-	GREEN



RIGHT LED

LED POLARITY		COLOR
PIN 9	PIN 10	
+	-	GREEN

Electrical Specification @25°C

- Turns Ratio:
Pri : Sec = 1CT : 1CT
- OCL: 350uH Min
@100KHz, 100mVrms, 8mA DC Bias
- Insertion Loss(dB Max):
0.1~1MHz:-1.1
1~65MHz:-0.5
65~100MHz:-1.0
- Return Loss(dB Min):
0.5~40MHz:-18
30.1~60MHz:-12+20Log(f/80MHz)
- Crosstalk(dB Min):
0.1~100MHz:-35
- Common Mode Rejection Ratio(CMRR):
0.5~100MHz:-30dB Min
- CDMR:
0.5~100MHz:-35dB Min
- Hi-Pot: 1500Vrms @60Hz
- Operating Temperature: 0°C~70°C.



Emitting Color	λ p(nm)	VF@IF=20mA	IR @VR=5V
GREEN	565	1.8~2.6V	10 μ A max

X:X	± 0.30	APPD:	LINK-PP INT'L TECHNOLOGY CO., LIMITED	
X:XX	± 0.25	CHKD:	TITLE: RJ45 .Transformer. 10/100 Base-T W/LED. 2x2 Port	
X:XXX	± 0.05	DR: TOM	PART NO.: LPJ27081AFNL	
ANGLES	$\pm 1^\circ$	UNIT: mm	DWG NO.: LP18010801	
	SCALE: 2/1	SHEET: 1/2	REV: A	

