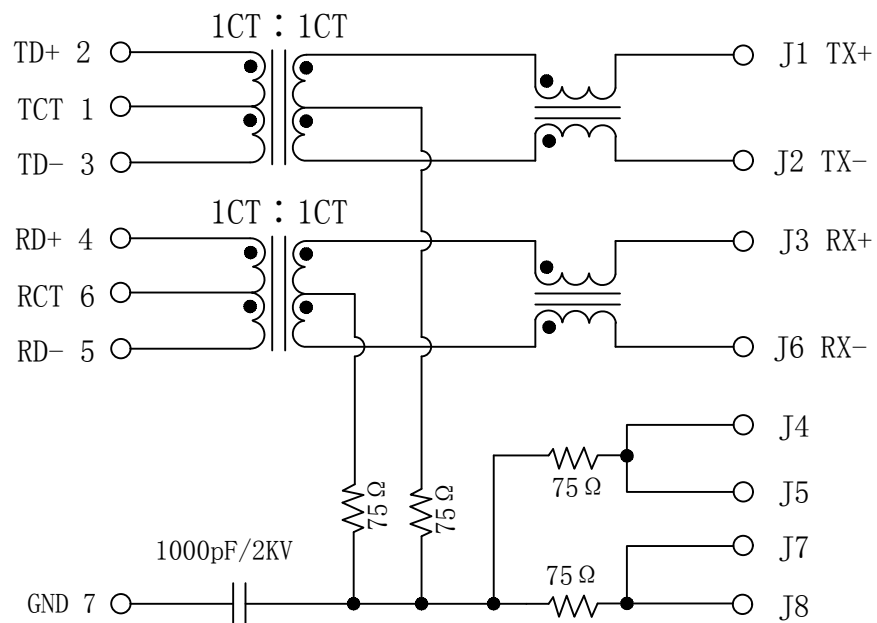


# Schematic:

REV.	ECN NO.	DESCRIPTION	DATE	APPD
A	REL		2021/03/17	

PC BOARD CONNECTIONS



RJ45 CONNECTOR

## Electrical Specifications @25°C

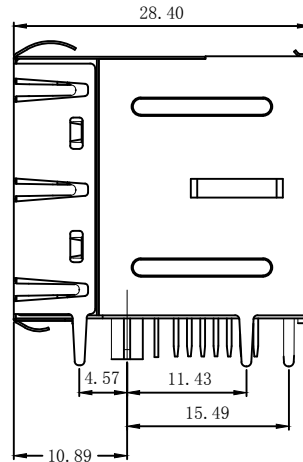
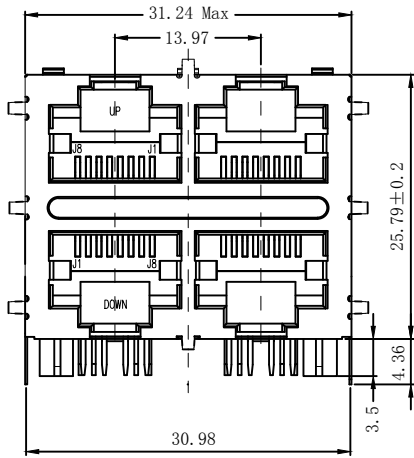
- Turns Ratio ( $\pm 2\%$ ):  
TX=1CT:1CT      RX=1CT:1CT
- Inductance (@100KHz/0.1V@8mA):  
350uH MIN
- Insertion Loss:  
1-65MHz:-1.0dB MAX
- Return Loss (dB MIN @100Ω  $\pm 15\Omega$ ):  
1-10MHz:-20      10-30MHz:-16  
30-60MHz:-12      60-100MHz:-10
- Crosstalk (dB MIN):  
1-30MHz:-40      30-60MHz:-35  
60-100MHz:-30
- Common Mode Rejection:  
1-50MHz:-30      50-150MHz:-20
- Hi-Pot: 1500Vrms @60Hz 1 MIN
- Operating Temperature Range: -40°C ~ +85°C.



X:X	$\pm 0.30$	APPD: TOM	LINK-PP INT'L TECHNOLOGY CO., LIMITED
X:XX	$\pm 0.25$	CHKD: JAMES	
X:XXX	$\pm 0.05$	DR: LEO	
ANGLES $\pm 1^\circ$		UNIT: mm	TITLE: RJ45 .Transformer.10/100 Base-T W/LED. 2x2 Port
			PART NO.: LPJ27040CNL-2
SCALE: 2/1		SHEET: 1/2	REV: A      DWG NO.: LP21031703

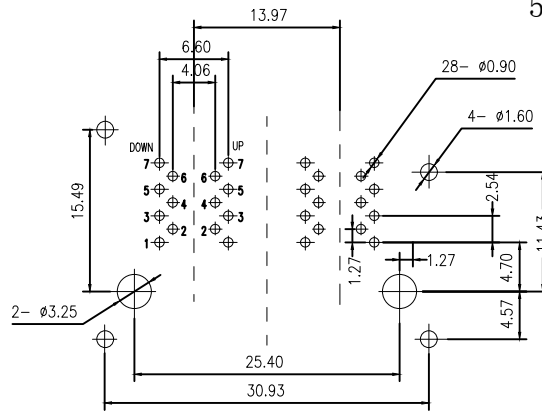
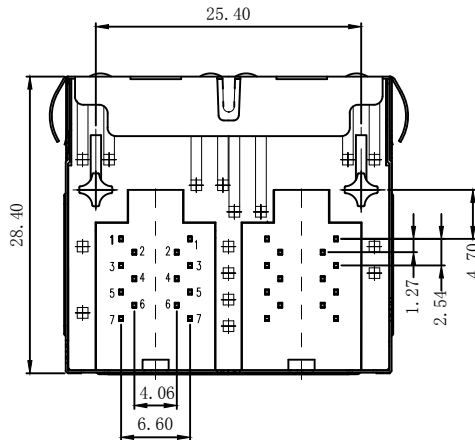
# Mechanical :

REV.	ECN NO.	DESCRIPTION	DATE	APPD
A	REL		2021/03/17	



### NOTES:

1. Designed to support application, such as SOHO (ADSL modems), LAN-on-Motherboard (LOM), hub and Switches.
2. Meets IEEE 802.3 specification
3. Connector Materials:  
 Housing: Thermoplastic UL94V-0  
 Contact/Shield: Copper alloy  
 Shield plating: Nickel  
 Contact plating: Gold 6 micro-inches min. In contact area.
4. Wave solder tip temperature: 265°C Max, 5 Sec.
5. UL Certification: File Number E484635.



SUGGESTED PCB LAYOUT (TOP VIEW)



X:X	±0.30	APPD: TOM	LINK-PP INT'L TECHNOLOGY CO., LIMITED
X:XX	±0.25	CHKD: JAMES	
X:XXX	±0.05	DR: LEO	TITLE: RJ45 . Transformer. 10/100 Base-T W/LED. 2x2 Port
ANGLES	±1°	UNIT: mm	PART NO.: LPJ27040CNL-2
	SCALE: 2/1	SHEET: 2/2	REV: A DWG NO.: LP21031703