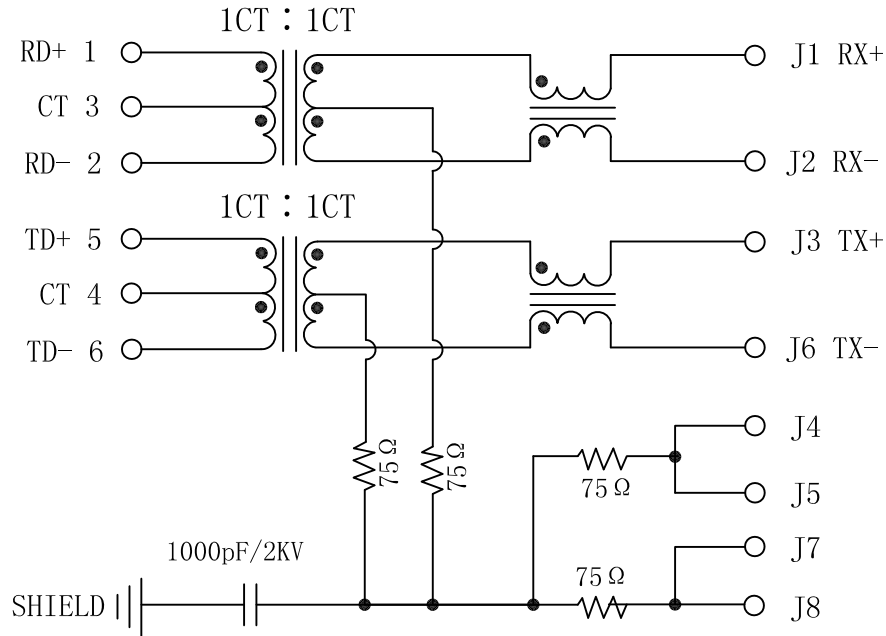


Schematic:

REV.	ECN NO.	DESCRIPTION	DATE	APPD
A	REL		2013/12/04	

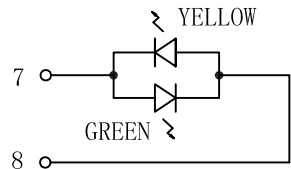
PCB SIDE TO PHY



CABLE

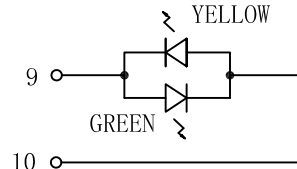
Electrical Specification @25°C

- Turns Ratio($\pm 2\%$):
(P1-P3) : (J1-J2) = 1:1
(P4-P6) : (J3-J6) = 1:1
- Inductance: 350uH Min
@0.1V, 0.1MHz, 8mA DC Bias
- Insertion Loss:
0.1-100MHz: -1.2dB Max
- Return Loss(dB Min):
1-30MHz: -18
30-80MHz: -12
- Crosstalk(dB Typ):
1-100MHz: -40
- Common to Mode Rejection:
30-100MHz: -35dB Min
- Hipot: 1500Vrms
- Operating Temperature: 0°C ~ +70°C.



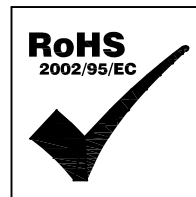
LEFT LED

LED POLARITY		COLOR
PIN 7	PIN 8	
+	-	GREEN
-	+	YELLOW



RIGHT LED

LED POLARITY		COLOR
PIN 9	PIN 10	
+	-	GREEN
-	+	YELLOW

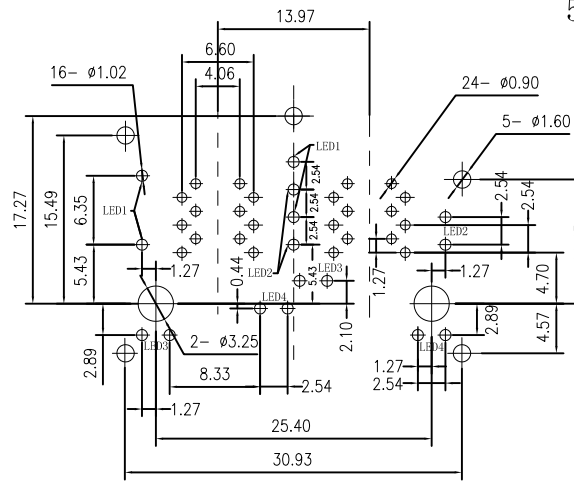
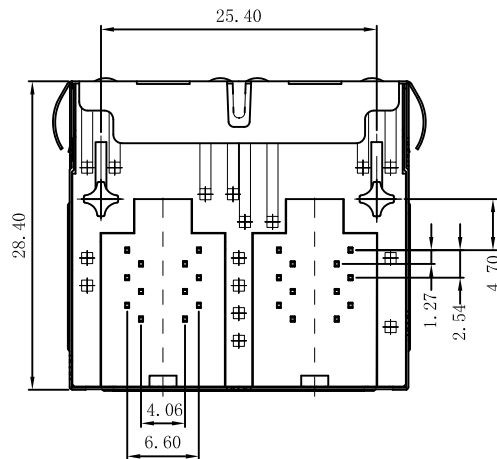
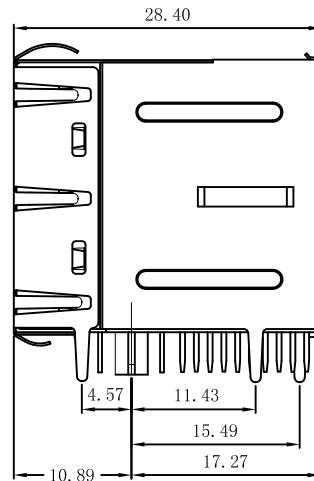
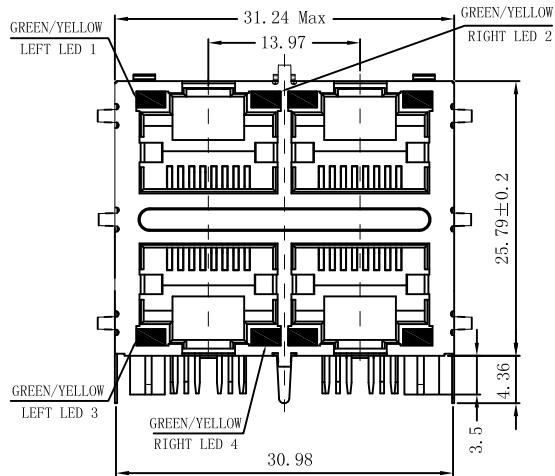


Emitting Color	λ p(nm)	VF@IF=20mA	IR @VR=5V
Green	565	1.8~2.6V	20 μ A max
Yellow	585	1.8~2.6V	20 μ A max

X:X	± 0.20	APPD:	LINK-PP LINK-PP INT'L TECHNOLOGY CO., LIMITED
X:XX	± 0.10	CHKD:	
X:XXX	± 0.05	DR: TOM	TITLE: RJ45 .Transformer. 10/100 Base-T W/LED. 2x2 Port
ANGLES	$\pm 1^\circ$	UNIT: mm	PART NO.: LPJ27003-9A4NL
	SCALE: 2/1	SHEET: 1/2	REV: A
			DWG NO.: LP13120406

Mechanical :

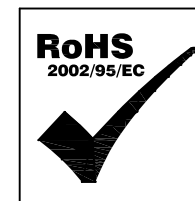
REV.	ECN NO.	DESCRIPTION	DATE	APPD
A	REL		2013/12/04	



SUGGESTED PCB LAYOUT (TOP VIEW)

NOTES:

- Designed to support application, such as SOHO(ADSL modems), LAN-on-Motherboard(LOM), hub and Switches.
- Meets IEEE 802.3af specification
- PoE rating: 15W, 350mA, 48V(For PoE Products only)
- Connector Materials:
Housing: Thermoplastic UL94V-0
Contact/Shield: Copper alloy
Shield plating: Nickel
Contact plating: Gold 50 micro-inches min. In contact area.
- Wave solder tip temperature: 265°C Max
Wave solder tip temperature time: 5 Sec Max



X:X	±0.20	APPD:	LINK-PP
X:XX	±0.10	CHKD:	
X:XXX	±0.05	DR: TOM	TITLE: RJ45 .Transformer.10/100 Base-T W/LED.2×2 Port
ANGLES	±1°	UNIT: mm	PART NO. : LPJ27003-9A4NL
		SCALE: 2/1	SHEET: 2/2
		REV: A	DWG NO. : LP13120406