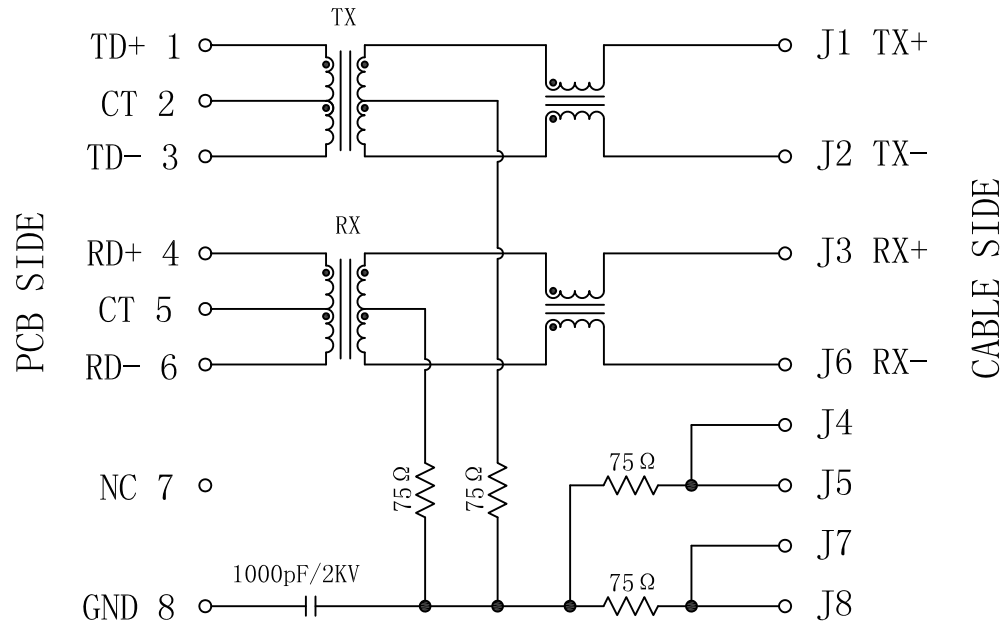


Schematic:

REV.	ECN NO.	DESCRIPTION	DATE	APPD
A	REL		2015-02-02	



ELECTRICAL SPECIFICATIONS @25°C

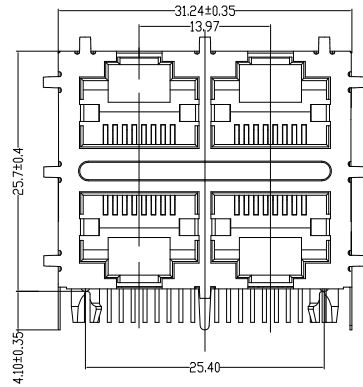
- Turn Ratio ($\pm 3\%$):
TX=1CT:1CT RX=1CT:1CT
- Inductance OCL:
350uH MIN @ 100KHz 0.1V 8mA DC Bias
- Insertion Loss:
-1.0dB MAX @ 1-100MHz
- Return Loss:
-18dB MIN @ 1-30MHz
-15dB MIN @ 30-60MHz
-12dB MIN @ 60-100MHz
- Cross talk:
-40dB MIN @ 1-30MHz
-35dB MIN @ 30-60MHz
-30dB MIN @ 60-100MHz
- Common Mode Rejection:
-30dB MIN @ 1-100MHz
- Hipot Test: 1500Vrms
- Operating Temperature Range: -40°C TO +85°C



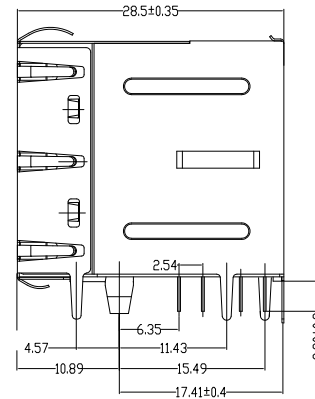
X:X	± 0.25	APPD:	LINK-PP INT'L TECHNOLOGY Co., LIMITED	
X:XX	± 0.20	CHKD:	TITLE: 2*2 RJ45 Connector with 10/100 Base-T Integrated Magnetics	
X:XXX	± 0.05	DR: FRANK	PART NO.: LPJ27002-2CNL	
ANGLES	$\pm 1^\circ$	UNIT: mm	DWG NO.: LPC15020207	
	SCALE: 2/1	SHEET: 1/2	REV: A	

Mechanical:

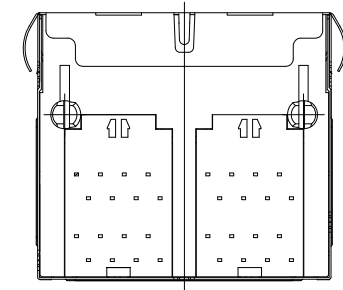
REV.	ECN NO.	DESCRIPTION	DATE	APPD
A	REL		2015-02-02	



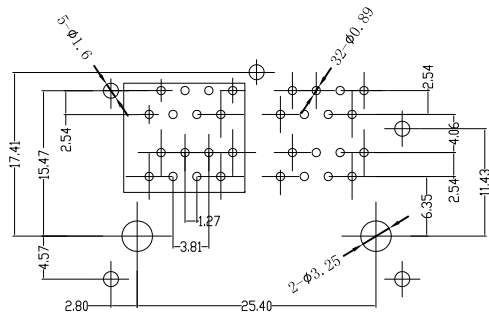
Front Side View



Left Side View



Bottom Side View



Suggested PCB Layout

NOTES:

1. Meets IEEE 802.3 specification
2. Connector Materials:
 Housing Material: Thermoplastic PA66+30%G.F UL94V-0
 Contact Material: Phosphor Bronze C5210R-EH Thickness=0.35mm
 Pins: Brass C2680R-H Thickness=0.35mm
 Shield: Copper alloy Brass H65Y Thickness=0.20mm
 Shield plating: Nickel
 Contact plating: Gold 6 micro-inches min. In contact area.
3. Wave solder tip temperature: 265°C Max, 5 Sec Max



X:X	±0.25	APPD:	LINK-PP INT'L TECHNOLOGY Co., LIMITED	
X:XX	±0.20	CHKD:	TITLE: 2*2 RJ45 Connector with 10/100 Base-T Integrated Magnetics	
X:XXX	±0.05	DR: FRANK		
ANGLES	±1°	UNIT: mm	PART NO.: LPJ27002-2CNL	
	SCALE: 2/1	SHEET: 2/2	REV: A	DWG NO.: LPC15020207