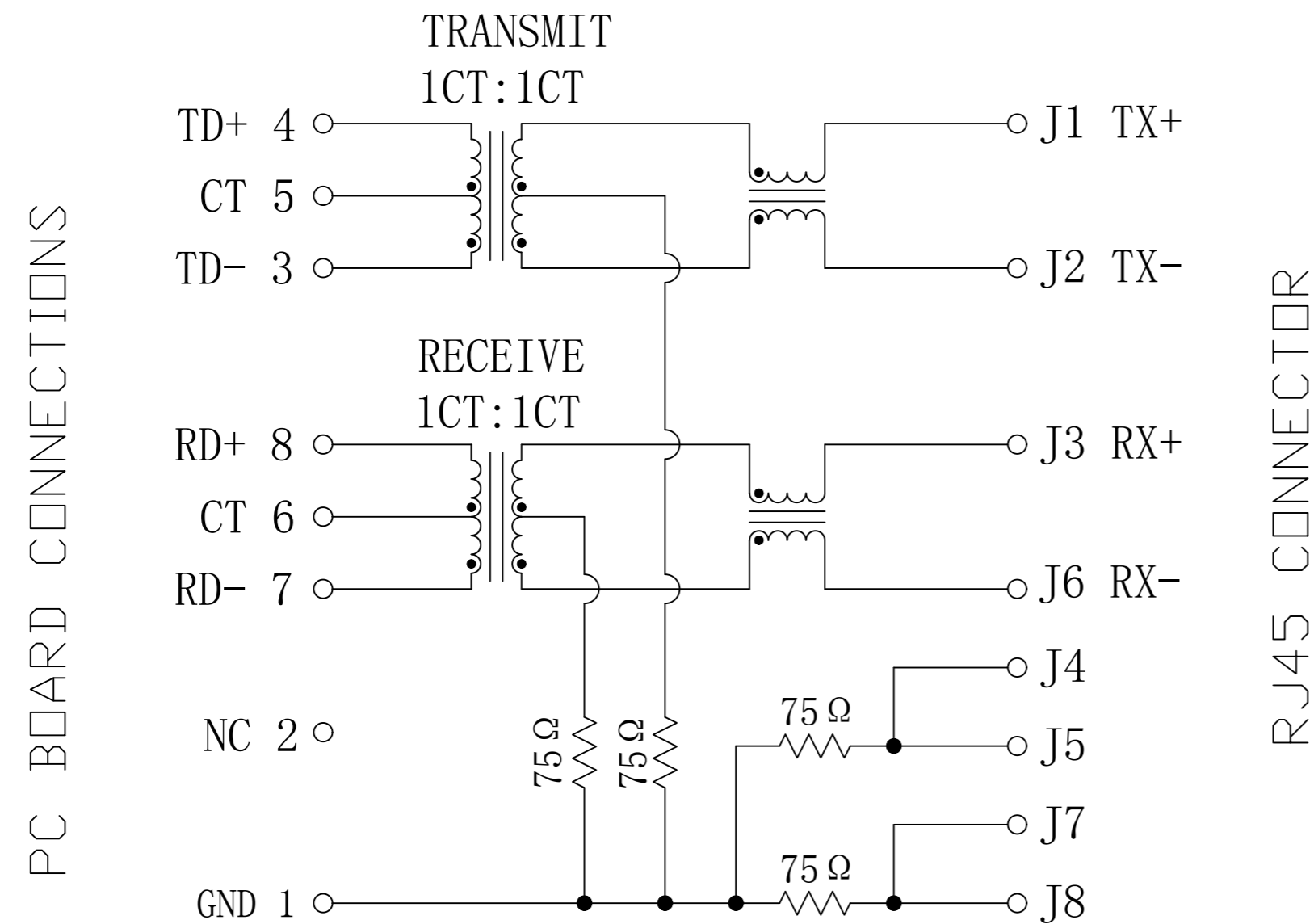


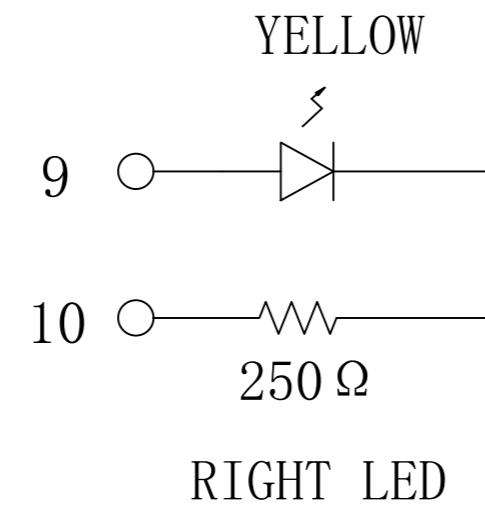
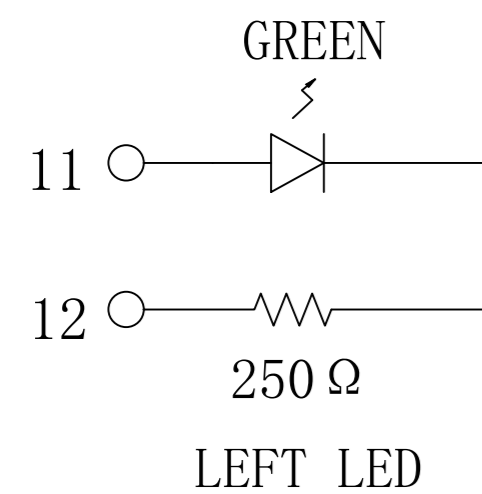
Schematic:

REV.	ECN NO.	DESCRIPTION	DATE	APPD
A	REL		2022-08-04	



ELECTRICAL SPECIFICATIONS @25°C

- Turn Ratio ($\pm 5\%$):
TX=1CT:1CT RX=1CT:1CT
- Inductance OCL:
350uH MIN @100KHz 0.1V 8mA DC Bias
- DCR: 1.2 Ω MAX
- Insertion Loss:
-1.2dB MAX @1-100MHz
- Return Loss:
-16dB MIN @1-30MHz
-12dB MIN @30-60MHz
-10dB MIN @60-80MHz
- Cross talk:
-30dB MIN @1-100MHz
- Common to Common Mode Attenuation:
-30dB MIN @1-100MHz
- Hipot Test: 1500Vrms
- Operating Temperature Range: 0°C to 70°C.

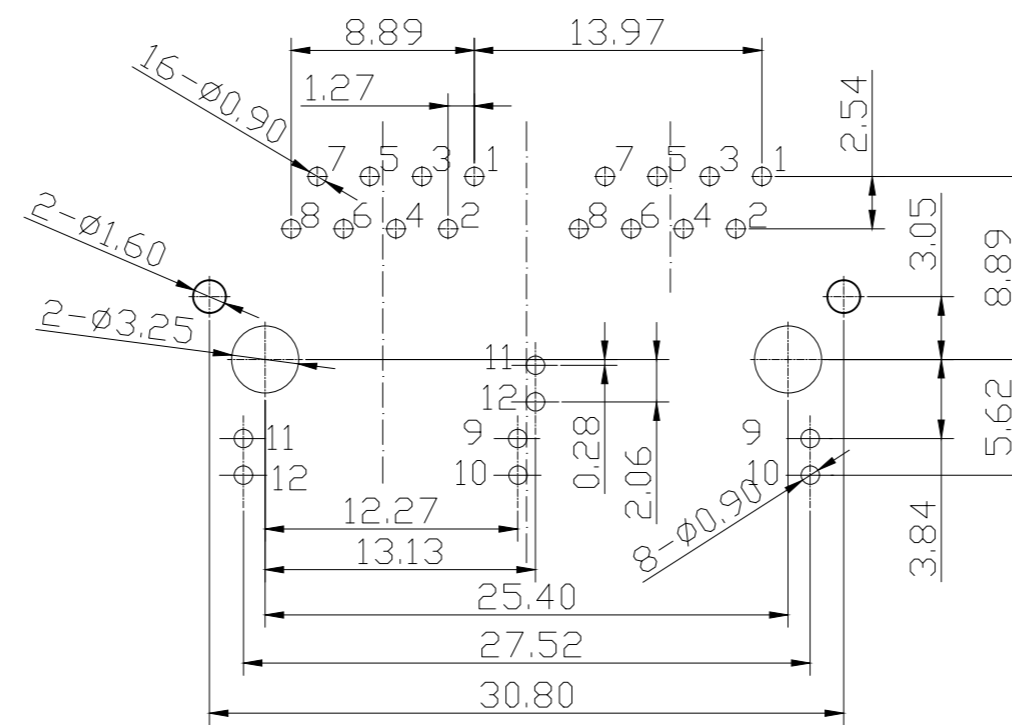
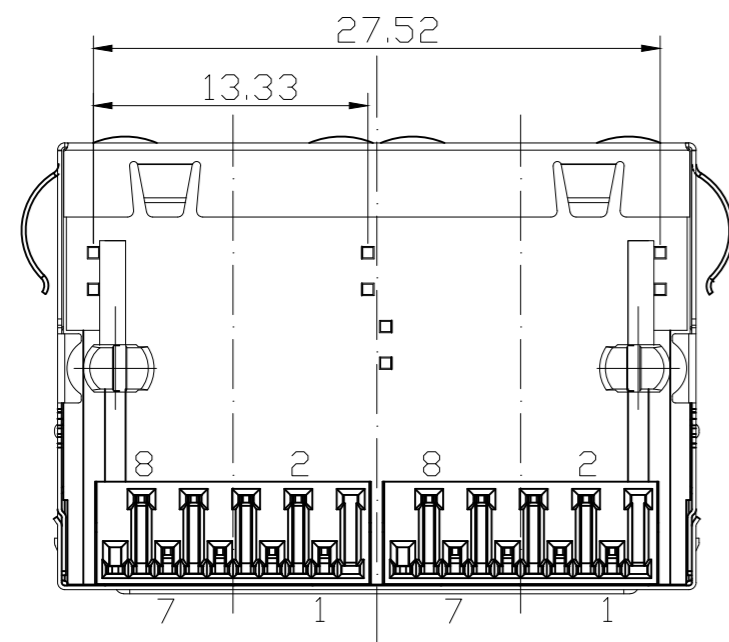
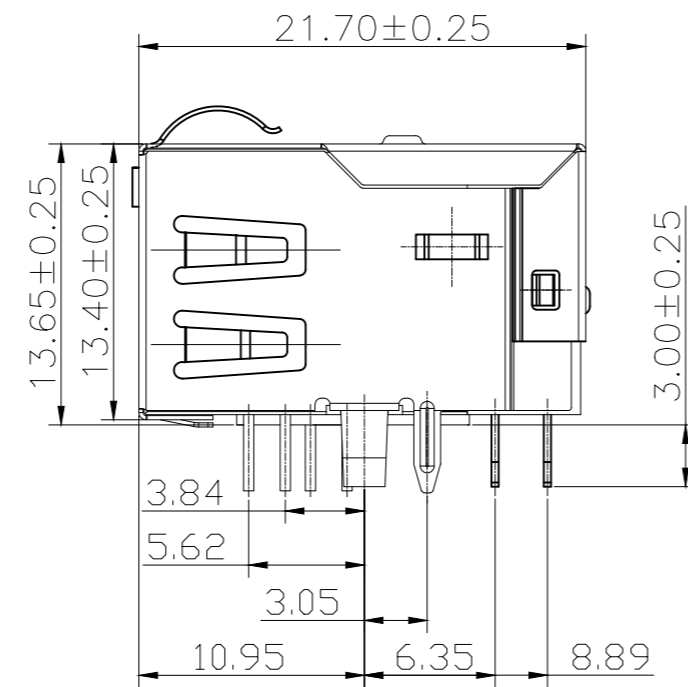
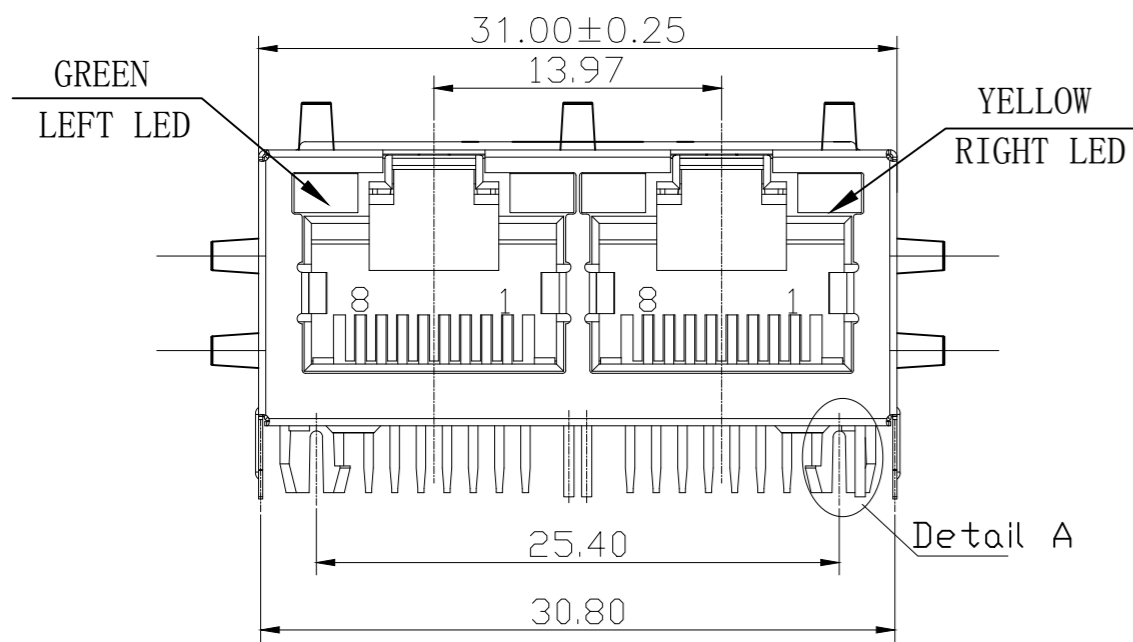


Emitting Color	λ_p (nm)	V _F @I _F =20mA	I _R @V _R =5V
GREEN	565	1.8~2.6V	10 μ A max
YELLOW	585	1.8~2.6V	10 μ A max

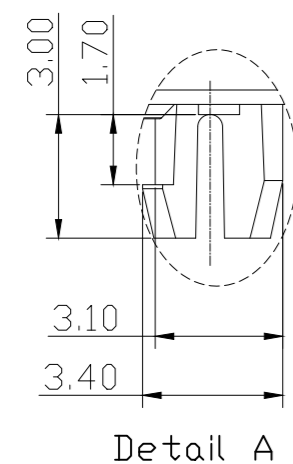
X:X ±0.30	APPD: TOM	LINK-PP INT'L TECHNOLOGY CO., LIMITED		
X:XX ±0.25	CHKD: JAMES			
X:XXX ±0.05	DR: LEO	TITLE: 1*2 RJ45 Connector with 10/100 Base-T Integrated Magnetics		
ANGLES $\pm 1^\circ$	UNIT: mm	PART NO.: LPJ232452A28NL		
	SCALE: 2/1	SHEET: 1/2	REV: A	DWG NO.: LP22080410

Mechanical:

REV.	ECN NO.	DESCRIPTION	DATE	APPD
A	REL		2022-08-04	



Suggested PCB Layout (Top View)



NOTES:

1. Designed to support application, such as SOHO (ADSL modems), LAN-on-Motherboard (LOM), hub and Switches.
2. Meets IEEE 802.3 specification
3. Connector Materials:
 Housing: Thermoplastic PBT UL94V-0
 Contact: Phosphor Bronze C5210R-EH Thickness=0.35mm
 Pins: Brass C2680R-H Thickness=0.35mm
 Shield: SUS 201-1/2H Thickness=0.2mm
 Contact plating: Gold 6 micro-inches min. In contact area.
4. Wave solder tip temperature: 250°C, 5 Sec.
5. UL Certification: File Number E484635.



X:X	± 0.30	APPD: TOM	LINK-PP INT'L TECHNOLOGY CO., LIMITED
X:XX	± 0.25	CHKD: JAMES	
X:XXX	± 0.05	DR: LEO	TITLE: 1*2 RJ45 Connector with 10/100 Base-T Integrated Magnetics
ANGLES	$\pm 1^\circ$	UNIT: mm	PART NO.: LPJ232452A28NL
	SCALE: 2/1	SHEET: 2/2	REV: A DWG NO.: LP22080410