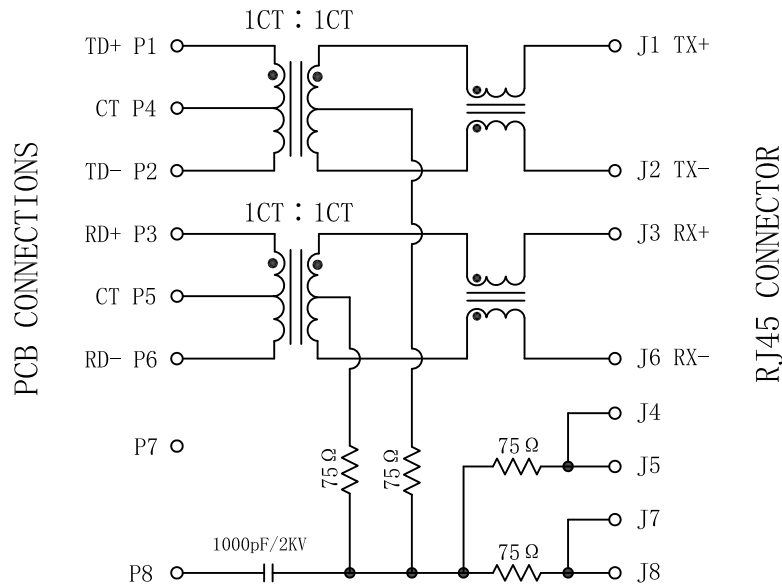


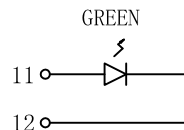
# Schematic:

REV.	ECN NO.	DESCRIPTION	DATE	APPD
A	REL		2015-05-12	

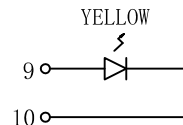


## Electrical Specifications @25°C

1. OCL: 350uH MIN  
@100KHz, 0.1V, 8mA DC Bias.
2. Insertion Loss:  
0.3~100MHz: -1.0dB MAX
3. Return Loss:  
1~30MHz: -20dB MIN.  
30~60MHz: -15dB MIN.  
60~80MHz: -10dB MIN.
4. Crosstalk:  
1~100MHz: -30dB MIN
5. Common to Common Mode Rejection:  
1~100MHz: -30dB MIN
6. HiPot Test: 1500Vrms MIN
7. Operating Temperature: 0 TO +70°C.



LEFT LED



RIGHT LED

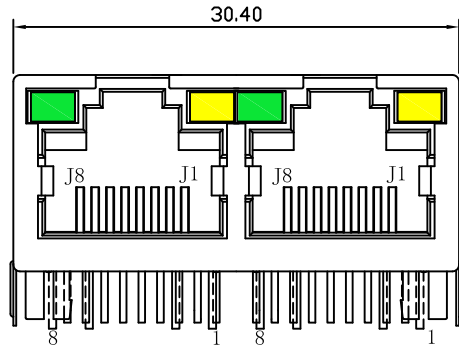
Emitting Color	$\lambda$ p(nm)	VF@IF=20mA	IR @VR=5V
GREEN	570	1.8~2.4V	10 $\mu$ A max
YELLOW	590	1.8~2.4V	10 $\mu$ A max



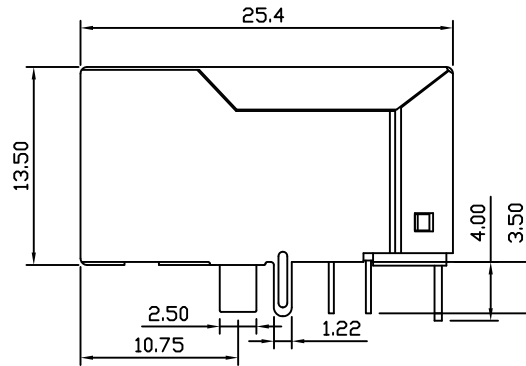
X:X	$\pm 0.30$	APPD:	LINK-PP INT'L TECHNOLOGY CO., LIMITED	
X:XX	$\pm 0.25$	CHKD:	TITLE: 1*2 RJ45 Connector with 10/100 Base-T Integrated Magnetics	
X:XXX	$\pm 0.05$	DR: TOM	PART NO.: LPJ21004BENL	
ANGLES	$\pm 1^\circ$	UNIT: mm	DWG NO.: LP15051216	
	SCALE: 2/1	SHEET: 1/2	REV: A	

# Mechanical:

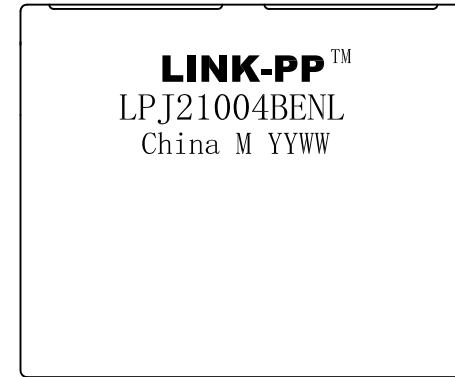
REV.	ECN NO.	DESCRIPTION	DATE	APPD
A	REL		2015-05-12	



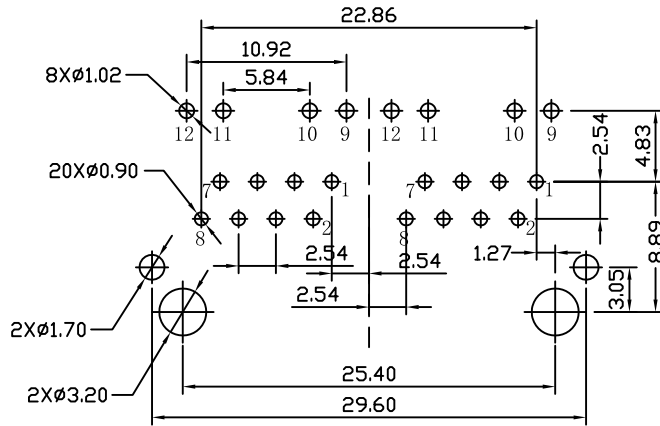
Front Side View



Left Side View



Top Side View



Suggested PCB Layout (Top View)



## NOTES:

- Meets IEEE 802.3 specification
- Connector Materials:  
 Housing Material:Thermoplastic PBT+30%G.F UL94V-0  
 Contact Material:Phosphor Bronze C5210R-EH Thickness=0.35mm  
 Pins:Brass C2680R-H Thickness=0.35mm  
 Shield:SUS 201-1/2H Thickness=0.2mm  
 Contact plating: Gold 6 micro-inches min. In contact area.
- Wave solder tip temperature: 265°C Max, 5 Sec Max
- UL Certification: File Number E484635.

X:X	±0.30	APPD:	LINK-PP INT'L TECHNOLOGY CO., LIMITED	
X:XX	±0.25	CHKD:	TITLE: 1*2 RJ45 Connector with 10/100 Base-T Integrated Magnetics	
X:XXX	±0.05	DR: TOM	PART NO. : LPJ21004BENL	
ANGLES	±1°	UNIT: mm	DWG NO. : LP15051216	
	SCALE: 2/1	SHEET: 2/2	REV: A	