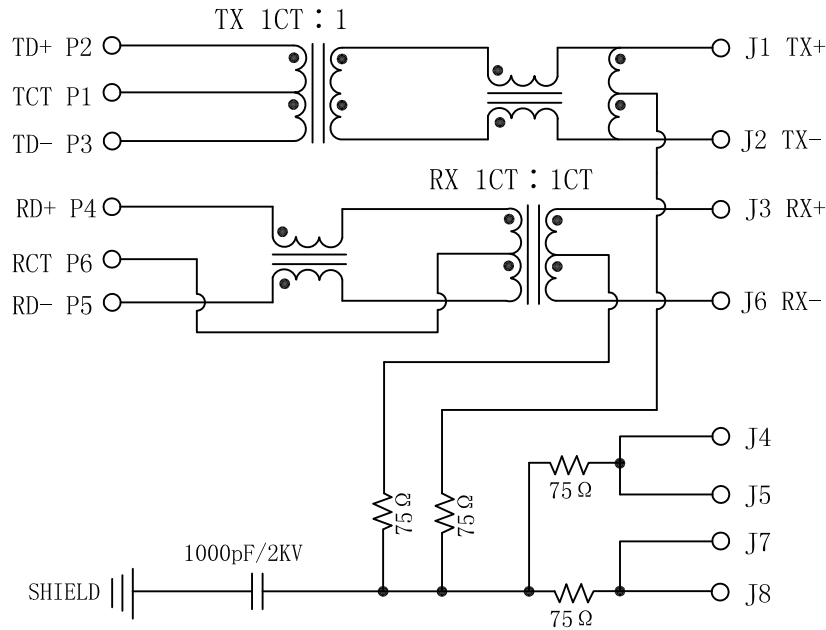


Schematic:

REV.	ECN NO.	DESCRIPTION	DATE	APPD
B	REL		2014-03-26	

PC BOARD CONNECTIONS

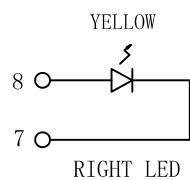
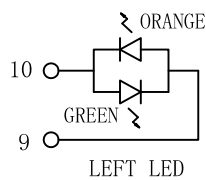


RJ45 CONNECTOR

Electrical Specifications@25°C:

- Turns Ratio($\pm 2\%$):
TX=1CT:1 RX=1CT:1CT
- Inductance(100KHz/0.1V@8mA): 350uH Min
- Insertion Loss:
0.1-100MHz:-1.0dB Max
- Return Loss(dB Min):
1-10MHz:-20
10-30MHz:-16
30-60MHz:-12
60-100MHz:-10
- Crosstalk(dB Min):
1-30MHz:-40
30-60MHz:-35
60-100MHz:-30
- Common Mode Rejection(dB Min):
1-50MHz:-30
50-150MHz:-20
- Hipot: 1500Vrms Min
- Operating temperture: 0°C~70°C.

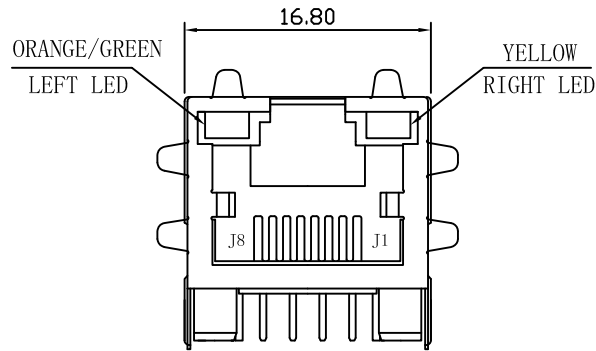
Emitting Color	λ p(nm)	V _F @I _F =20mA	I _R @V _R =5V
Orange/Green	610/565	1.8~2.6V	10 μ A max
Yellow	585	1.8~2.6V	10 μ A max



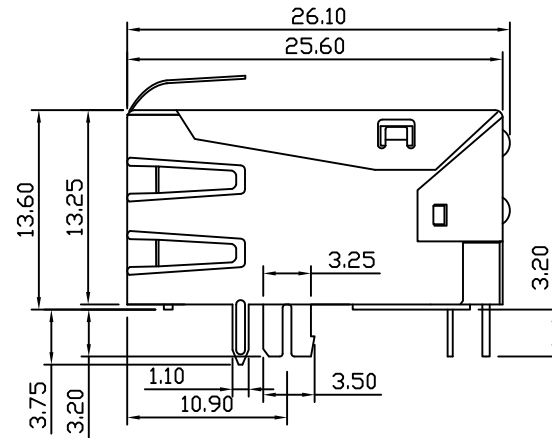
X:X	± 0.30	APPD:	LINK-PP INT'L TECHNOLOGY CO., LIMITED	
X:XX	± 0.25	CHKD:	TITLE: RJ45 Connector with 10/100 Base-T Integrated Magnetics	
X:XXX	± 0.05	DR: TOM	PART NO.: LPJ2026KONL	
ANGLES	$\pm 1^\circ$	UNIT: mm	DWG NO.: LP14032620	
	SCALE: 2/1	SHEET: 1/2	REV: B	

Mechanical:

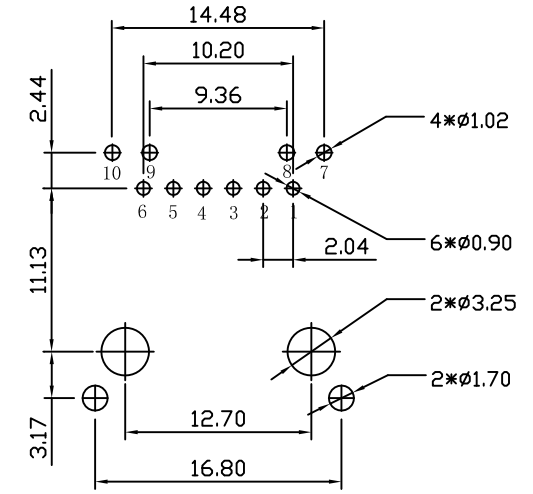
REV.	ECN NO.	DESCRIPTION	DATE	APPD
B	REL		2014-03-26	



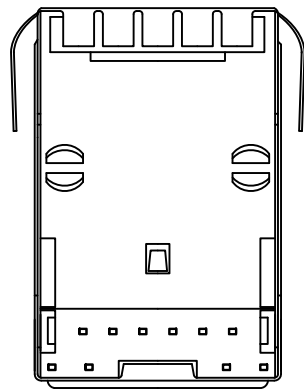
Front Side View



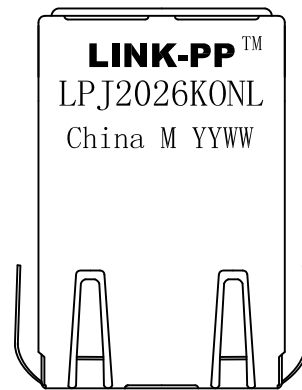
Left Side View



Suggested PCB Layout (Top View)



Bottom Side View



Top Side View

NOTES:

1. Designed to support application, such as SOHO (ADSL modems), LAN-ON-Motherboard (LOM), hub and Switches.
2. Meets IEEE 802.3 specification
3. Connector Materials:
Housing Material: Thermoplastic PA66+30%G.F UL94V-0
Contact Material: Phosphor Bronze C5210R-EH Thickness=0.35mm
Pins: Brass C2680R-H Thickness=0.35mm
Contact plating: Gold 6 micro-inches min. In contact area.
4. Wave solder tip temperature: 265°C Max, 5 Sec Max

X:X ±0.30	APPD:	LINK-PP INT'L TECHNOLOGY CO., LIMITED		
X:XX ±0.25	CHKD:	TITLE: RJ45 Connector with 10/100 Base-T Integrated Magnetics		
X:XXX ±0.05	DR: TOM	PART NO.: LPJ2026KONL		
ANGLES ±1°	UNIT: mm			
	SCALE: 2/1	SHEET: 2/2	REV: B	DWG NO.: LP14032620