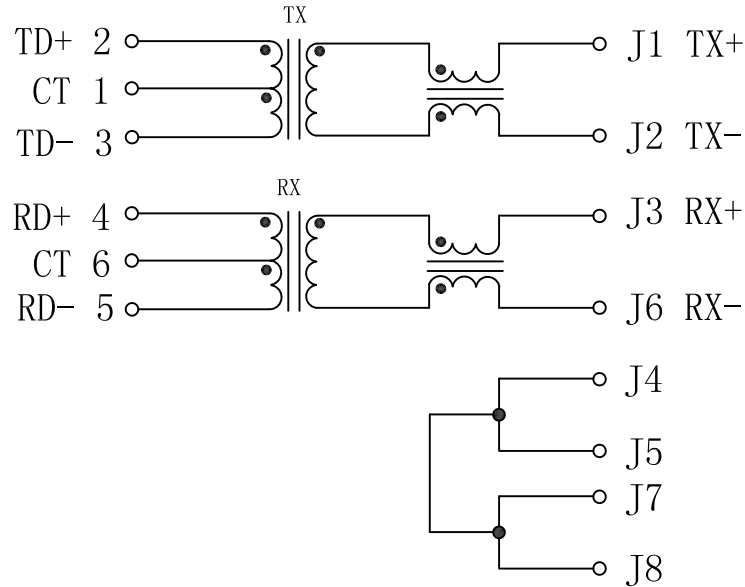


# Schematic:

REV.	ECN NO.	DESCRIPTION	DATE	APPD
B	REL		2014-03-26	

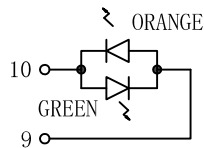
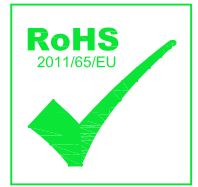
PC BOARD CONNECTIONS



RJ45 CONNECTOR

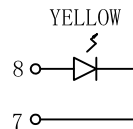
## Electrical Specifications @25°C

- Turns Ratio ( $\pm 2\%$ ):  
TX=1CT : 1      RX=1CT : 1
- Inductance (100KHz/0.1V@8mA):  
350uH MIN
- Insertion Loss:  
1-65MHz: -1.0dB MAX
- Return Loss (dB TYP@100  $\Omega$   $\pm$  15  $\Omega$ ):  
1-10MHz: -20      10-30MHz: -16  
30-60MHz: -12      60-100MHz: -10
- Crosstalk (dB TYP):  
1-30MHz: -40      30-60MHz: -35  
60-100MHz: -30
- Common Mode Rejection (dB TYP):  
1-50MHz: -30      50-150MHz: -20
- Hi-Pot: 1500Vrms MIN
- Operating Temperature Range: 0°C ~ 70°C.



LEFT LED

LED POLARITY		COLOR
PIN 10	PIN 9	
+	-	GREEN
-	+	ORANGE



RIGHT LED

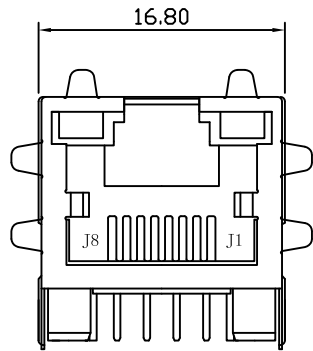
LED POLARITY		COLOR
PIN 8	PIN 7	
+	-	YELLOW

Emitting Color	$\lambda_p$ (nm)	V <sub>F</sub> @I <sub>F</sub> =20mA	IR @V <sub>R</sub> =5V
GREEN	565	1.8~2.6V	10 $\mu$ A max
YELLOW	585	1.8~2.6V	10 $\mu$ A max
ORANGE	610	1.8~2.6V	10 $\mu$ A max

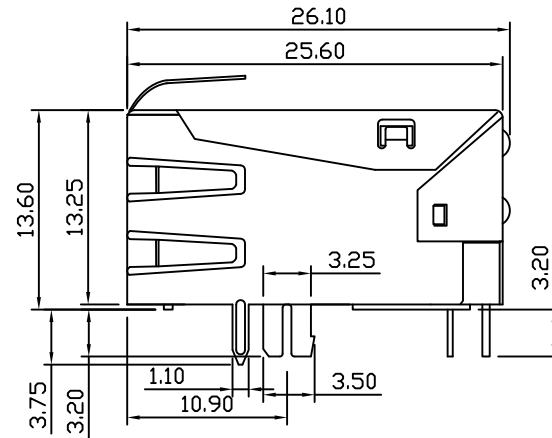
X:X $\pm 0.30$	APPD:	LINK-PP INT'L TECHNOLOGY CO., LIMITED
X:XX $\pm 0.25$	CHKD:	
X:XXX $\pm 0.05$	DR: TOM	TITLE: RJ45 Connector with 10/100 Base-T Integrated Magnetics
ANGLES $\pm 1^\circ$	UNIT: mm	PART NO.: LPJ2006KONL
	SCALE: 2/1	SHEET: 1/2
	REV: B	DWG NO.: LP14032629

# Mechanical:

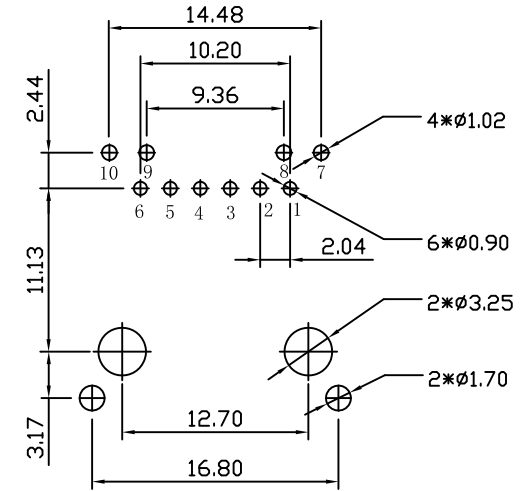
REV.	ECN NO.	DESCRIPTION	DATE	APPD
B	REL		2014-03-26	



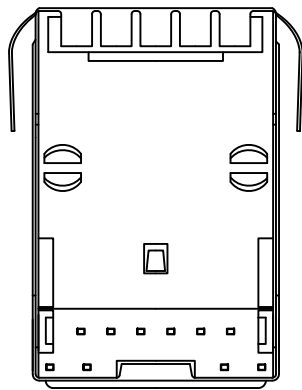
Front Side View



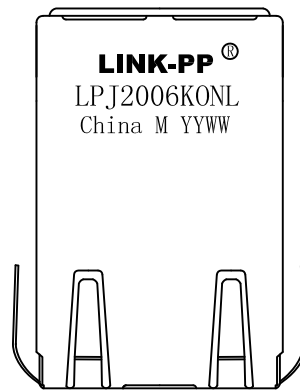
Left Side View



Suggested PCB Layout (Top View)



Bottom Side View



Top Side View

## NOTES:

1. Meets IEEE 802.3 specification

2. Connector Materials:

Housing Material: Thermoplastic PBT+30%G.F UL94V-0

Contact Material: Phosphor Bronze C5210R-EH Thickness=0.35mm

Pins: Brass C2680R-H Thickness=0.35mm

Shield: SUS 201-1/2H Thickness=0.2mm

Contact plating: Gold 6 micro-inches min. In contact area.

3. Wave solder tip temperature: 250°C, 5 Sec.

4. UL Certification: File Number E484635.

X:X ±0.30	APPD:	LINK-PP INT'L TECHNOLOGY CO., LIMITED
X:XX ±0.25	CHKD:	
X:XXX ±0.05	DR: TOM	TITLE: RJ45 Connector with 10/100 Base-T Integrated Magnetics
ANGLES ±1°	UNIT: mm	PART NO.: LPJ2006KONL
	SCALE: 2/1	SHEET: 2/2
	REV: B	DWG NO.: LP14032629