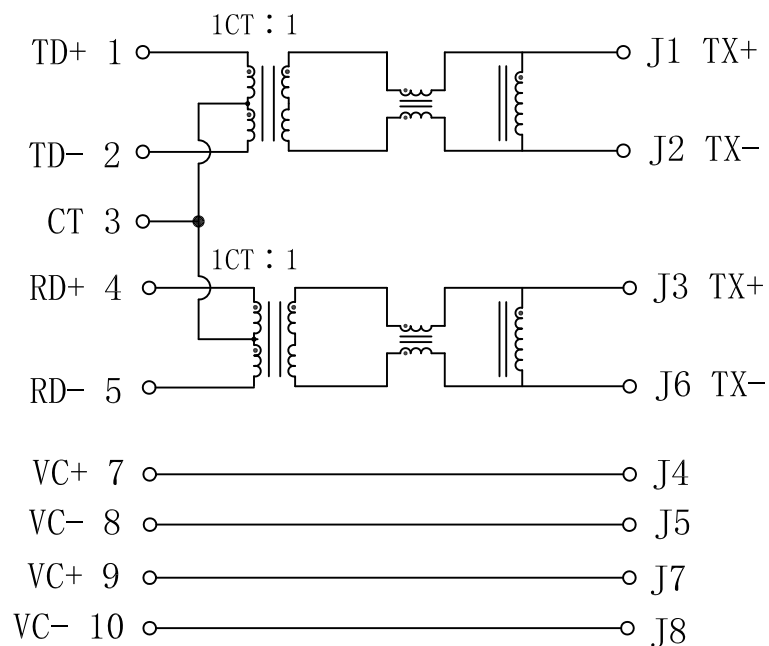


Schematic:

REV.	ECN NO.	DESCRIPTION	DATE	APPD
A	REL		2017/11/16	

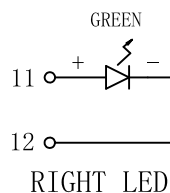
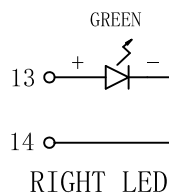
PC BOARD CONNECTIONS



RJ45 CONNECTOR

Electrical Specifications @25°C

- Turns Ratio($\pm 3\%$):
TX=1CT:1 RX=1CT:1
- 0CL: 350uH MIN
@100KHz, 100mVrms, 8mA DC Bias
- Insertion Loss:
1~100MHz:-1.0dB MAX
- Return Loss(dB MIN@100 Ω):
1~30MHz:-18 30~45MHz:-16
45~60MHz:-14 60~80MHz:-12
- Crosstalk:
1~100MHz:-30dB MIN
- Common Mode Rejection:
1~100MHz:-35dB MIN
- Hipot: 1500Vrms MIN
- Operating Temperature range: -40°C ~+85°C.



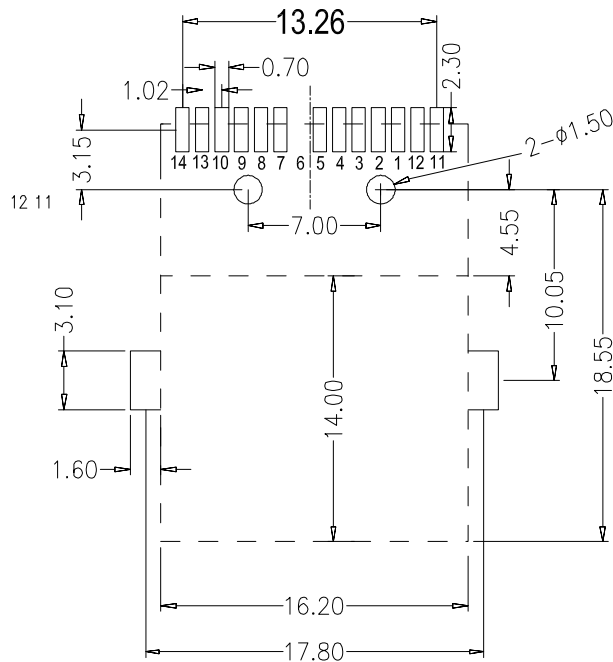
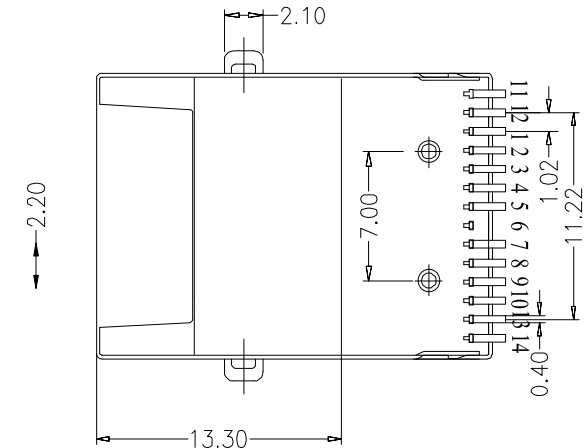
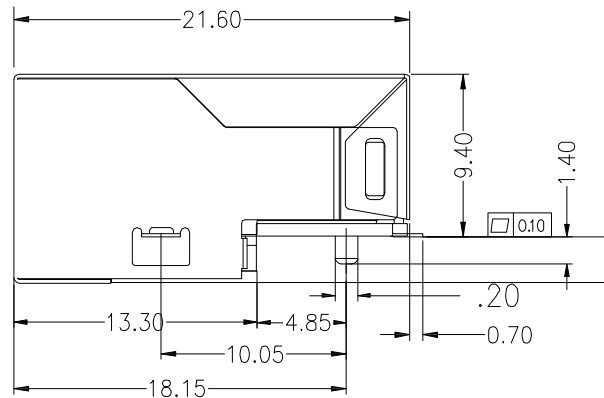
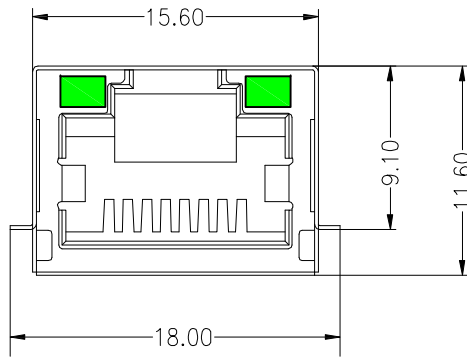
Emitting Color	λ p(nm)	VF@IF=20mA	IR @VR=5V
GREEN	565	1.8~2.6V	10 μ A max



X:X	± 0.30	APPD:	LINK-PP INT'L TECHNOLOGY CO., LIMITED
X:XX	± 0.25	CHKD:	
X:XXX	± 0.10	DR: TOM	TITLE: Surface Mount 1x1 Tab-Up Jack With 10/100 Magnetic SMT For PoE Application
ANGLES	$\pm 1^\circ$	UNIT: mm	PART NO.: LPJ19962BFNL
	SCALE: 2/1	SHEET: 1/2	REV: A DWG NO.: LP17111602

Mechanical :

REV.	ECN NO.	DESCRIPTION	DATE	APPD
A	REL		2017/11/16	



SUGGESTED PCB LAYOUT (TOP VIEW)

NOTES:

1. Designed to support application, such as SOHO (ADSL modems), LAN-on-Motherboard (LOM), hub and Switches.
2. Meets IEEE 802.3af specification
3. PoE applications current capability: 350mA.
4. Connector Materials:
Housing: Thermoplastic UL94V-0
Contact/Shield: Copper alloy
Shield plating: Nickel
Contact plating: Gold 6 micro-inches min. In contact area.
5. For RoHS part add suffix NL
6. Reflow soldering 260°C degC for 5~10 sec.
7. UL Certification: File Number E484635.



X:X	±0.30	APPD:	LINK-PP INT'L TECHNOLOGY CO., LIMITED
X:XX	±0.25	CHKD:	
X:XXX	±0.10	DR: TOM	TITLE: Surface Mount 1×1 Tab-Up Jack With 10/100 Magnetic SMT For PoE Application
ANGLES	±1°	UNIT: mm	PART NO.: LPJ19962BFNL
	SCALE: 2/1	SHEET: 2/2	REV: A DWG NO.: LP17111602