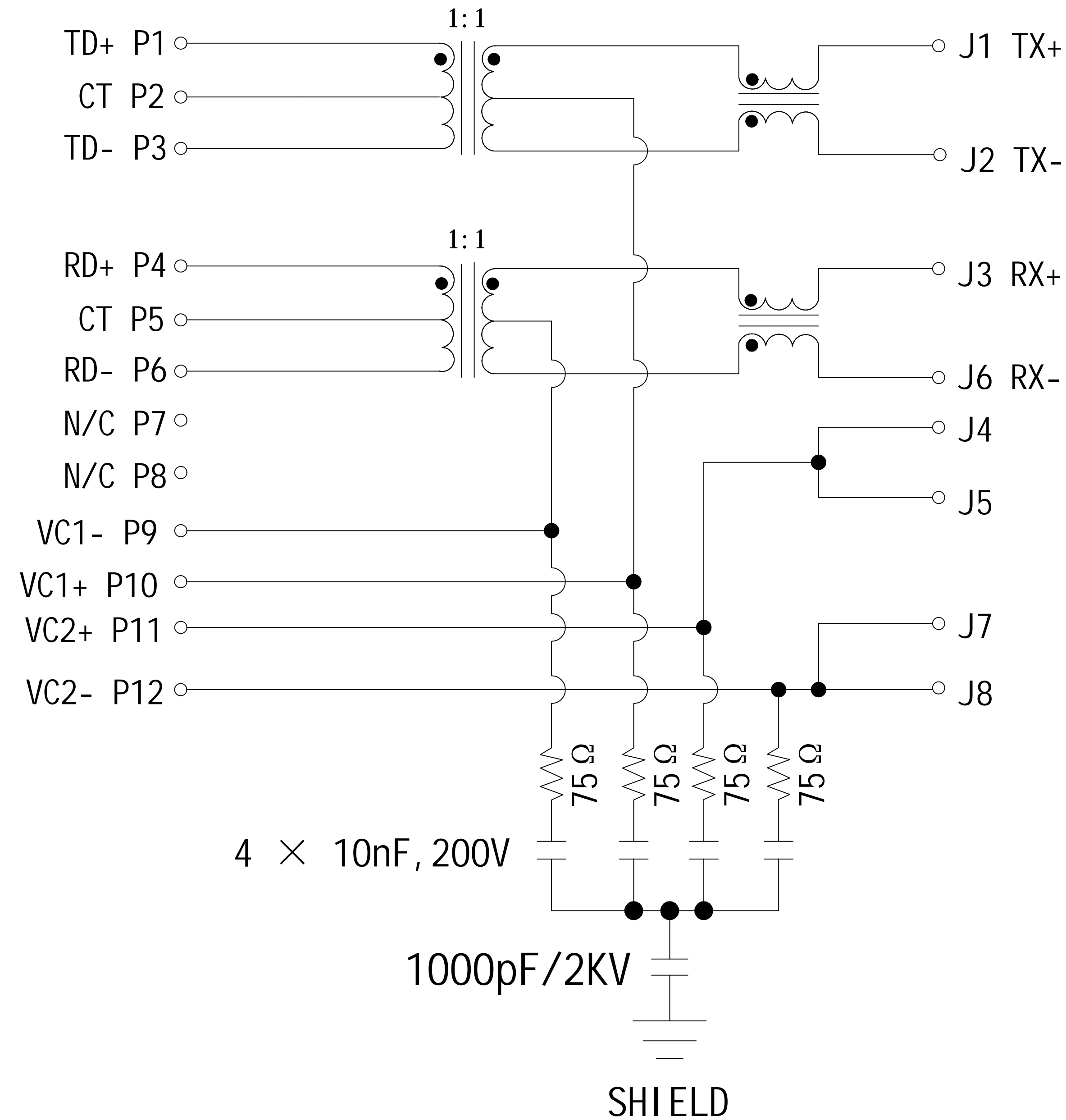


# Schematic:

REV.	ECN NO.	DESCRIPTION	DATE	APPD
A	REL		2017/02/24	

PCB CONNECTIONS

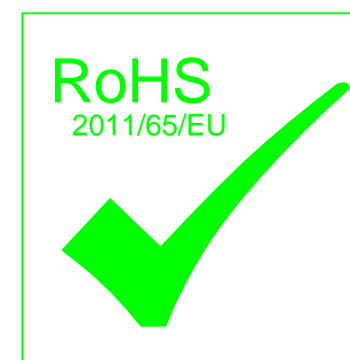


RJ45 CONNECTOR

## ELECTRICAL SPECIFICATIONS @25°C

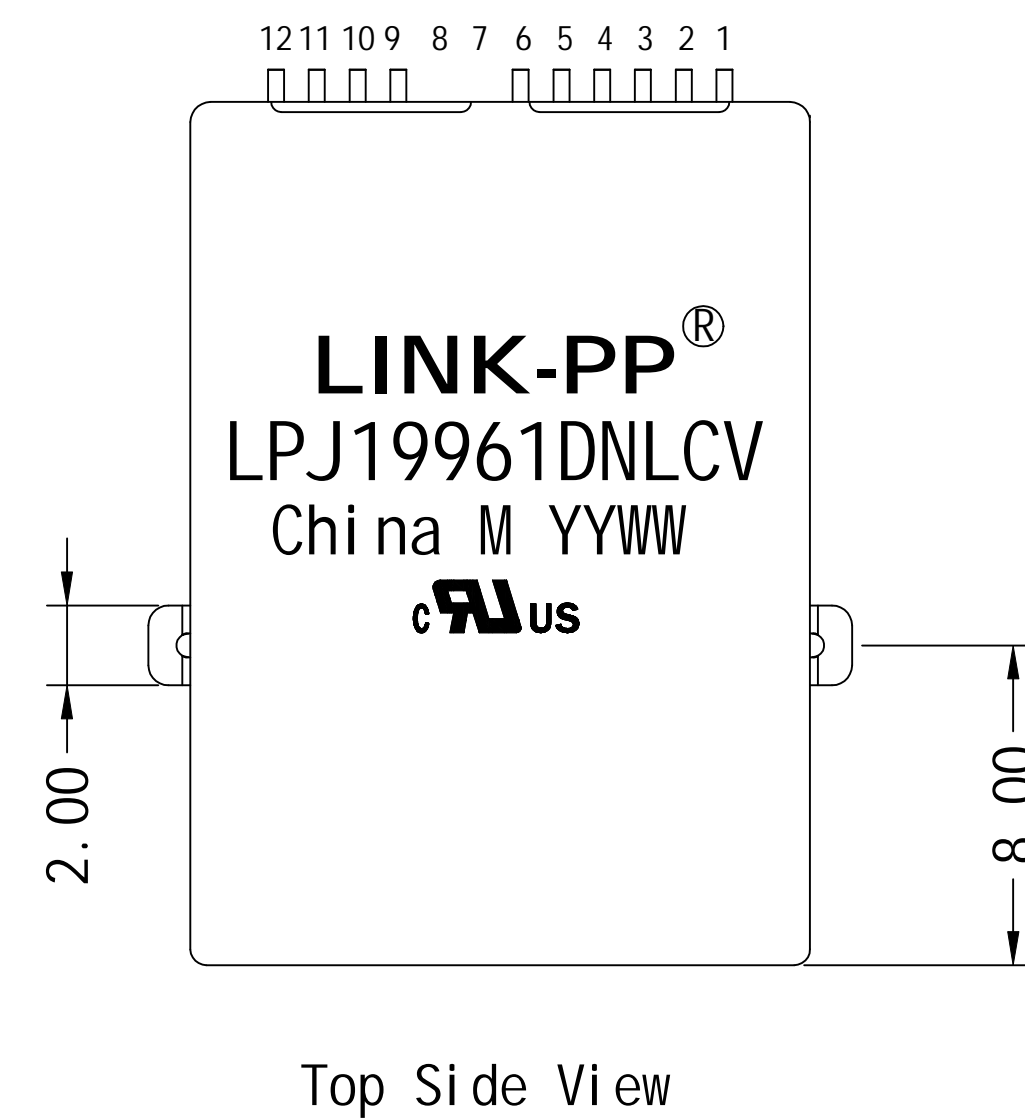
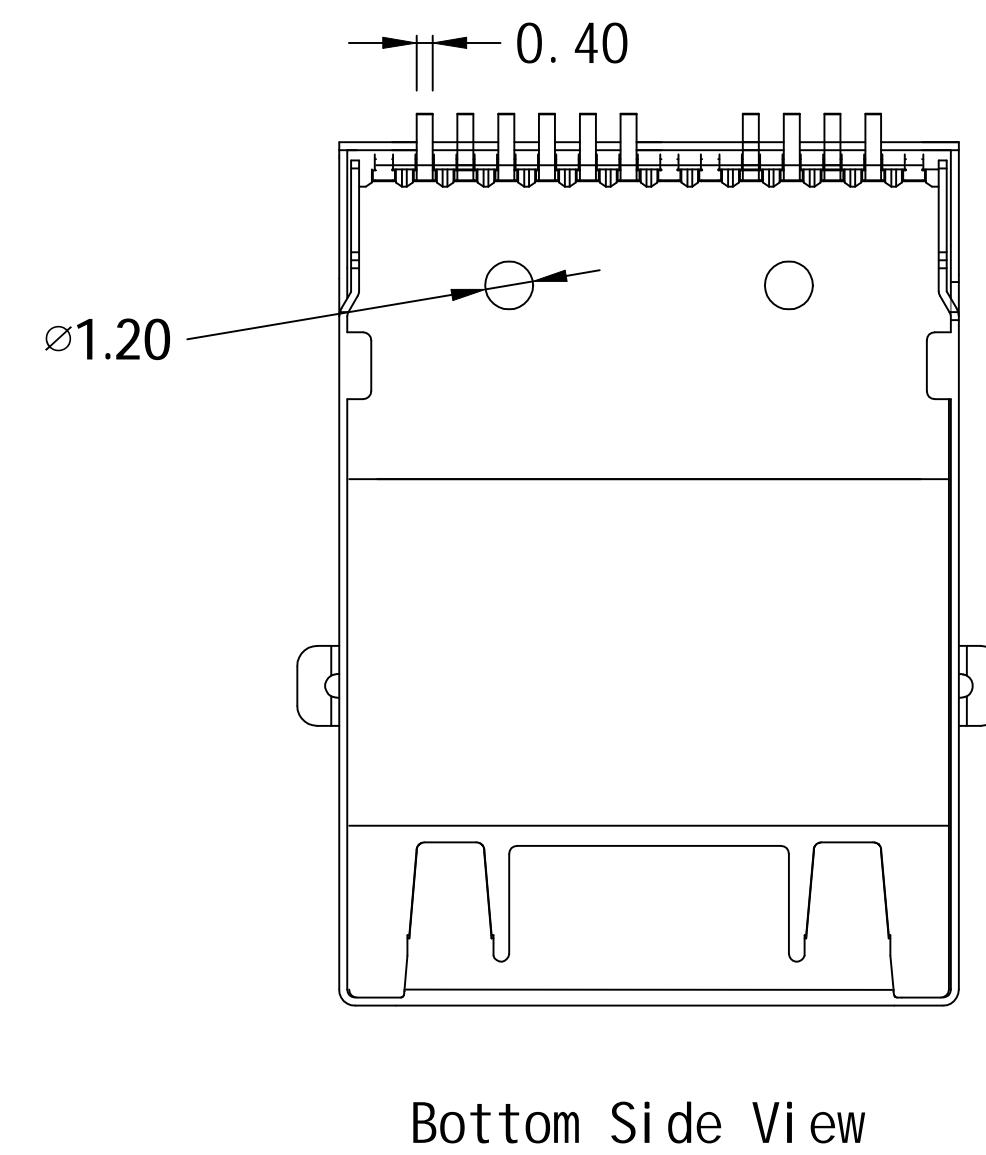
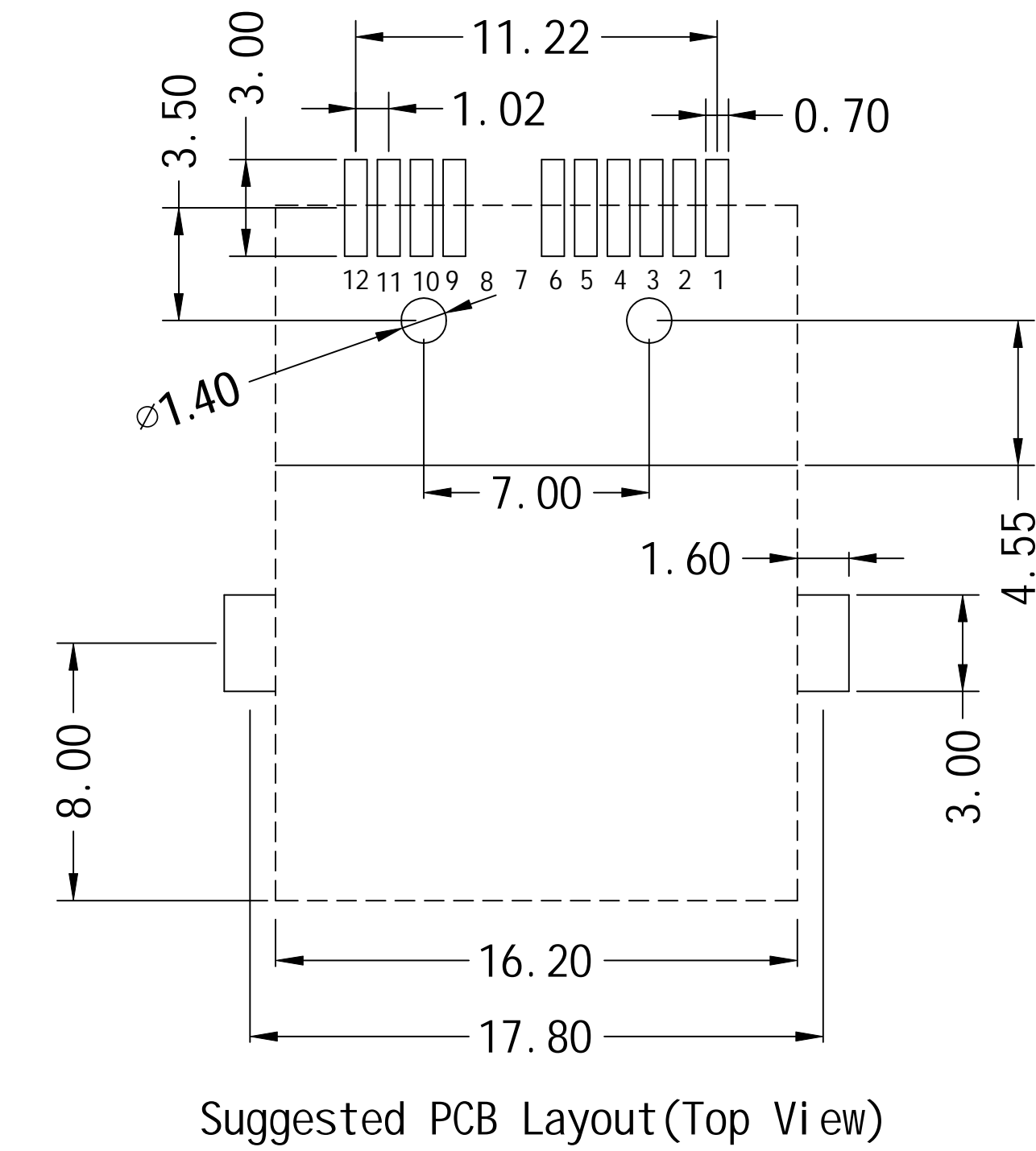
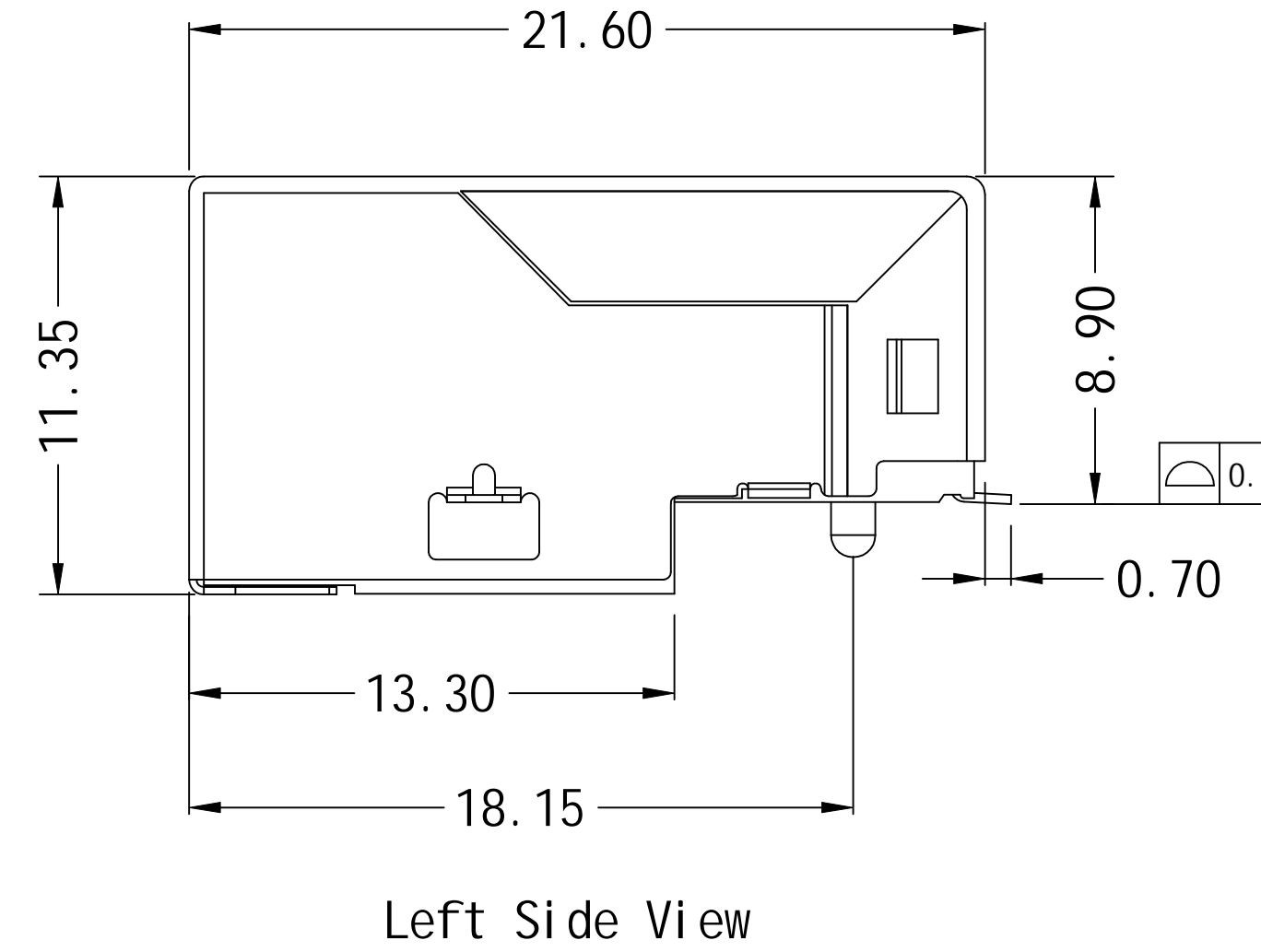
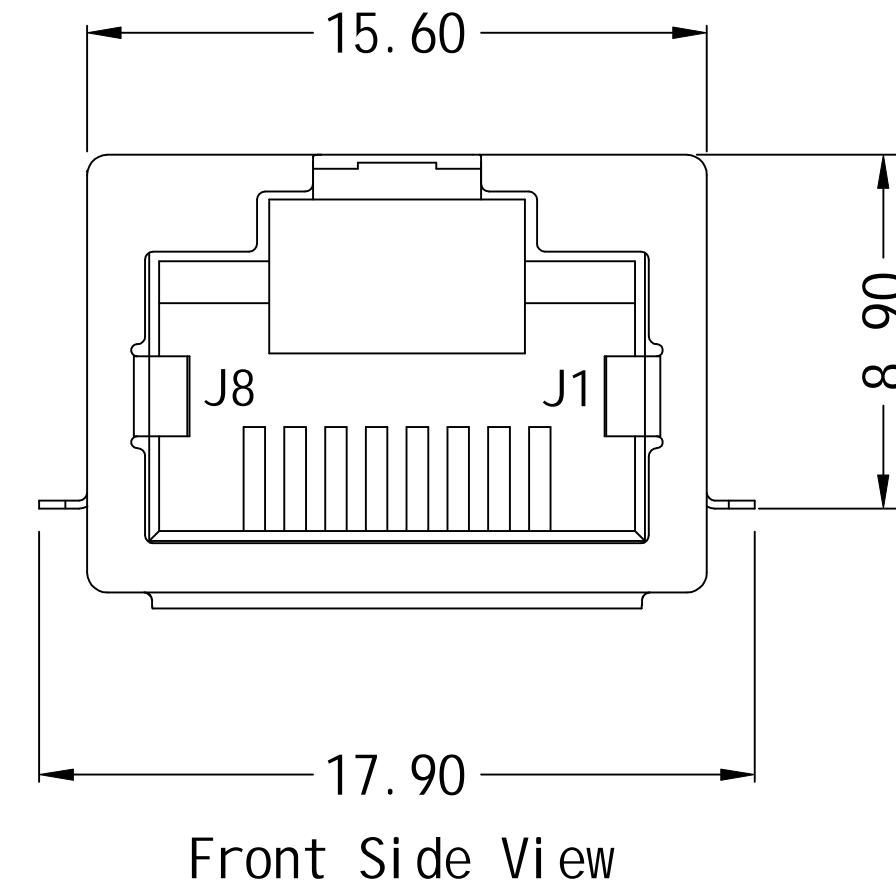
- Turn Ratio : 1CT:1CT±5%
- 0CL: 350uH Min @100KHz, 0.1V, 8mA DC Bias
- Insertion Loss (dB Max):
  - 1-100MHz: -1.2
- Return Loss(dB Min):
  - 1-30MHz: -16
  - 30-60MHz: -12
  - 60-80MHz: -10
  - 80-100MHz: -8
- Cross Talk(dB Min):
  - 1-100MHz: -30
- Common Mode Rejection(dB Min):
  - 1-100MHz: -30
- Balance DC Line current:
  - 350mA MAX, @57VDC Continuous;
- Isolation PHY SIDE To Line SIDE : 1500Vrms
- Operating Temperature Range: -40°C ~ +85°C.

X: X	±0.30	APPD: TOM	LINK-PP INT'L TECHNOLOGY CO., LIMITED
X: XX	±0.25	CHKD: JAMES	
X: XXX	±0.10	DR: LEO	
TITLE: Surface Mount 1×1 Tab-Up Jack With 10/100 Magnetic SMT For PoE Application			PART NO.: LPJ19961DNLCV
ANGLES	±1°	UNIT: mm	DWG NO.: LP17022425
	SCALE: 2/1	SHEET: 1/2	REV: A



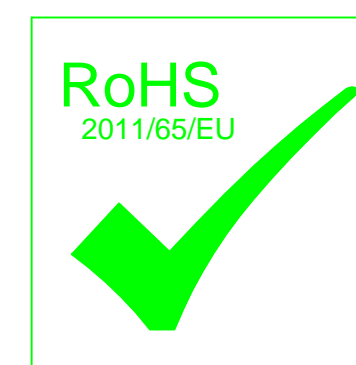
# Mechanical :

REV.	ECN NO.	DESCRIPTION	DATE	APPD
A	REL		2017/02/24	



## NOTES:

- Meets IEEE 802.3 specification
- Connector Materials:  
 Housing Material: Thermoplastic LCP UL94V-0  
 Contact Material: Phosphor Bronze C5210R-EH Thickness=0.35mm  
 Pins: Brass C2680R-H Thickness=0.35mm  
 Shield: SUS 304-1/2H Thickness=0.2mm  
 Contact plating: Gold 6 micro-inches min. In contact area.
- Reflow solder tip temperature: 250°C, 5 Sec.
- UL Certification: File Number E484635.



X: X	±0.30	APPD: TOM	LINK-PP INT'L TECHNOLOGY CO., LIMITED
X: XX	±0.25	CHKD: JAMES	
X: XXX	±0.10	DR: LEO	
ANGLES	±1°	UNIT: mm	TITLE: Surface Mount 1×1 Tab-Up Jack With 10/100 Magnetic SMT For PoE Application
			PART NO.: LPJ19961DNLCV
	SCALE: 2/1	SHEET: 2/2	REV: A
			DWG NO.: LP17022425