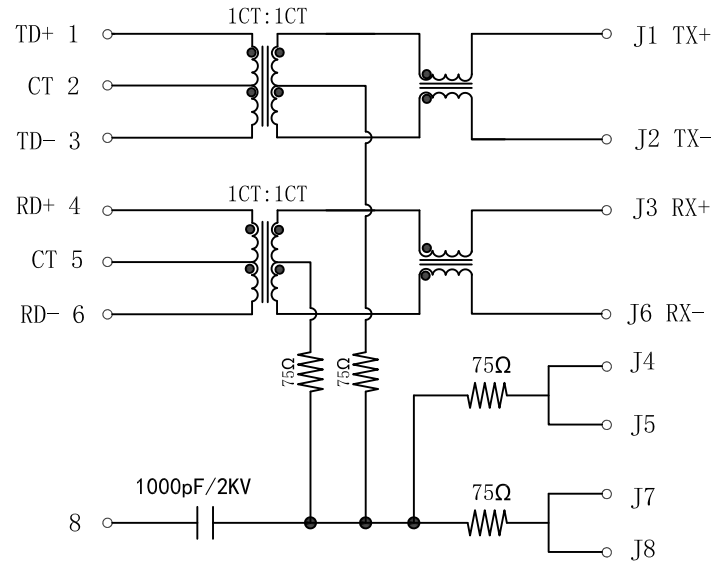


Schematic:

| REV. | ECN NO. | DESCRIPTION | DATE | APPD |
|------|---------|-------------|------------|------|
| A | REL | | 2017-07-03 | |

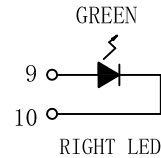
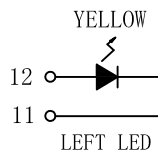
PC BOARD CONNECTIONS



RJ45 CONNECTOR

Electrical Specifications @25°C

- Turns Ratio (@100KHz/100mV) :
TX=1CT:1CT RX=1CT:1CT
- OCL: 350uH Min
@100KHz, 0.1Vrms, 8mA
- Insertion Loss:
1-100MHz:-1.0dB Max
- Return Loss(dB Min @100Ω):
1-30MHz:-18 30-60MHz:-16
60-80MHz:-12
- Crosstalk(dB Min):
1-10MHz:-40 30-60MHz:-35
60-100MHz:-30
- Common Mode Rejection(dB Min):
1-50MHz:-30 50-130MHz:-20
- Isolation Voltage: 1500Vrms Min
- Operating Temperature: -40°C ~ +85°C.

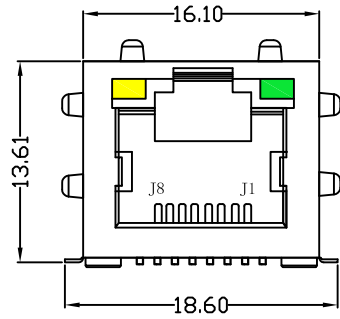


| Emitting Color | λ p(nm) | VF@IF=20mA | IR @VR=5V |
|----------------|---------|------------|------------|
| GREEN | 565 | 1.8~2.4V | 10 μ A max |
| YELLOW | 585 | 1.8~2.4V | 10 μ A max |

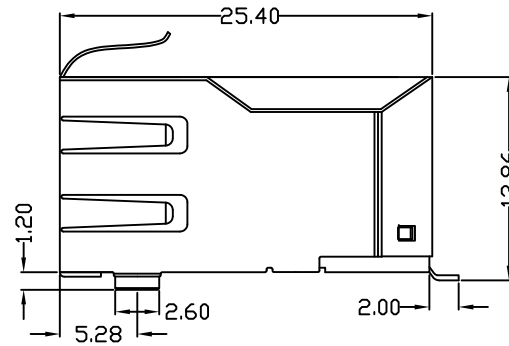
| | | |
|-------------|------------|--|
| X:X ±0.30 | APPD: | LINK-PP INT'L TECHNOLOGY CO., LIMITED |
| X:XX ±0.25 | CHKD: | |
| X:XXX ±0.05 | DR: TOM | TITLE: Surface Mount 1×1 Tab-Up Jack With 10/100M Magnetic |
| ANGLES ±1° | UNIT: mm | PART NO.: LPJ19662AANL |
| | SCALE: 2/1 | SHEET: 1/2 |
| | REV: A | DWG NO.: LP17070302 |

Mechanical:

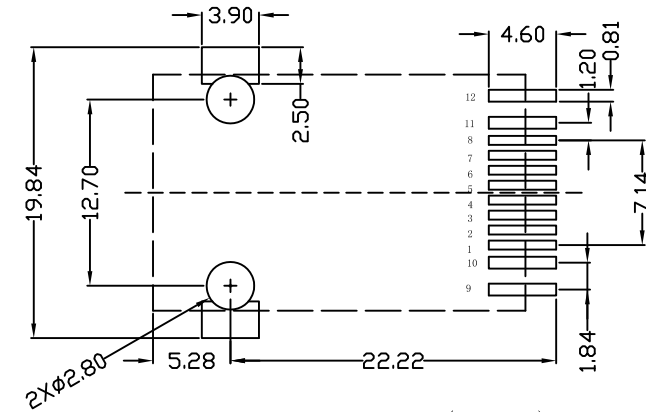
| REV. | ECN NO. | DESCRIPTION | DATE | APPD |
|------|---------|-------------|------------|------|
| A | REL | | 2017-07-03 | |



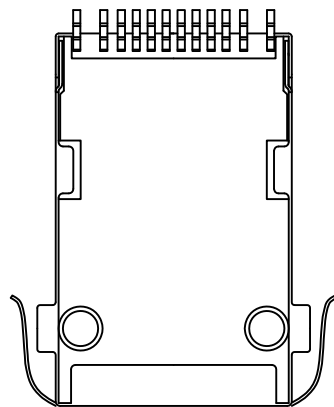
Front Side View



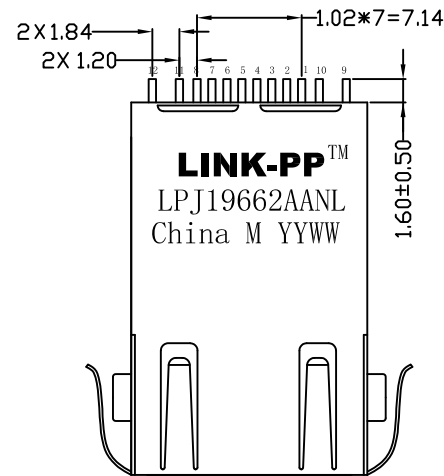
Left Side View



Suggested PCB Layout (Top View)



Bottom Side View



Top Side View

NOTES:

1. Meets IEEE 802.3 specification
2. Connector Materials:
 Housing Material: Thermoplastic LCP+30%G.F UL94V-0
 Contact Material: Phosphor Bronze C5210R-EH Thickness=0.35mm
 Pins: Brass C2680R-H Thickness=0.35mm
 Shield: SUS 201-1/2H Thickness=0.2mm
 Contact plating: Gold 6 micro-inches min. In contact area.
3. Maximum reflow temperature is 250°C, 5 Sec.
4. UL Certification: File Number E484635.

| | | | | |
|--------|------------|------------|--|--|
| X:X | ±0.30 | APPD: | LINK-PP INT'L TECHNOLOGY CO., LIMITED | |
| X:XX | ±0.25 | CHKD: | TITLE: Surface Mount 1×1 Tab-Up Jack With 10/100M Magnetic | |
| X:XXX | ±0.05 | DR: TOM | PART NO.: LPJ19662AANL | |
| ANGLES | ±1° | UNIT: mm | DWG NO.: LP17070302 | |
| | SCALE: 2/1 | SHEET: 2/2 | REV: A | |