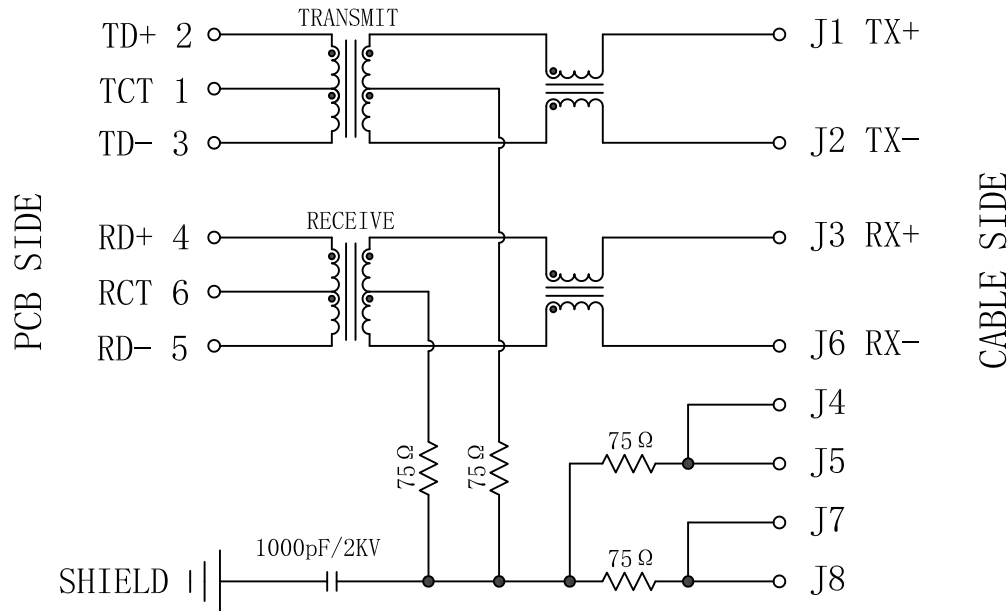


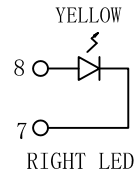
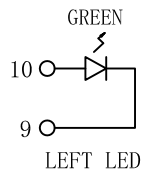
Schematic:

REV.	ECN NO.	DESCRIPTION	DATE	APPD
A	REL		2015-05-30	



Electrical Specifications @25°C

- Turns Ratio ($\pm 5\%$):
TX=1CT : 1CT RX=1CT : 1CT
- OC: 350uH Min
@100KHz/0.1V, 8mA DC Bias
- Insertion Loss:
0.3~100MHz: -1.0dB Max
- Return Loss (@100Ω):
30MHz: -18dB Min
50MHz: -15dB Min
80MHz: -12dB Min
- Crosstalk:
30MHz: -38dB Min
60MHz: -38dB Min
100MHz: -38dB Min
- CMR:
30MHz: -40dB Typ
60MHz: -40dB Typ
100MHz: -40dB Typ
- Hipot: 1500Vrms/0.5mA/2S
- Operating Temperature: -40°C ~ +85°C.

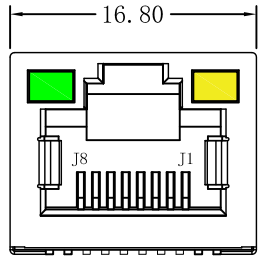


Emitting Color	λ p(nm)	VF@IF=20mA	IR @VR=5V
GREEN	565	1.8~2.4V	10 μ A max
YELLOW	585	1.8~2.4V	10 μ A max

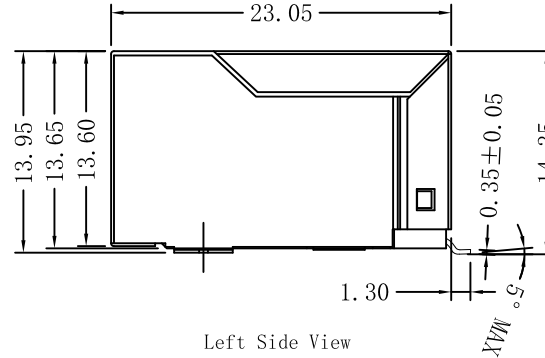
X:X	± 0.30	APPD:	LINK-PP INT'L TECHNOLOGY CO., LIMITED	
X:XX	± 0.25	CHKD:	TITLE: Surface Mount 1×1 Tab-Up Jack With 10/100 Magnetic	
X:XXX	± 0.05	DR: TOM	PART NO.: LPJ19416BHNL	
ANGLES	$\pm 1^\circ$	UNIT: mm		
	SCALE: 2/1	SHEET: 1/2	REV: A	DWG NO.: LP13122629

Mechanical:

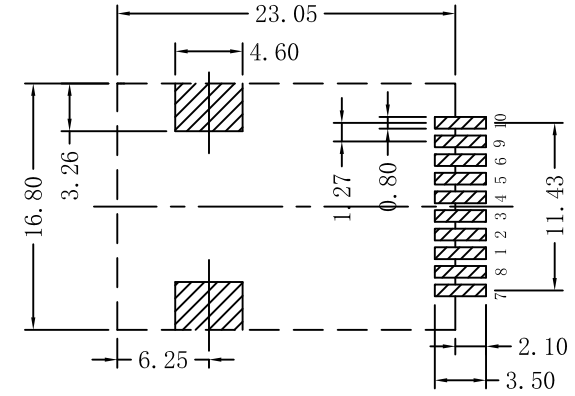
REV.	ECN NO.	DESCRIPTION	DATE	APPD
A	REL		2015-05-30	



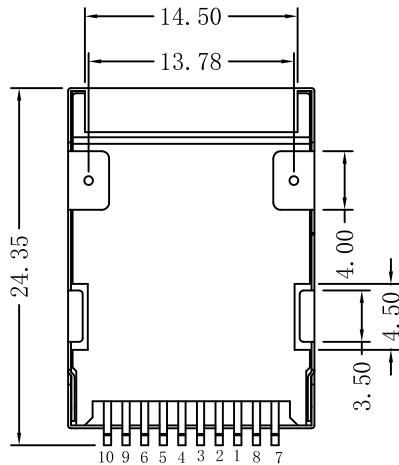
Front Side View



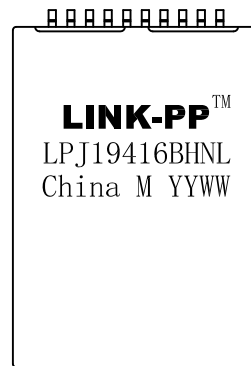
Left Side View



Suggested PCB Layout (Top View)



Bottom Side View



Top Side View

NOTES:

1. Meets IEEE 802.3 specification
2. Connector Materials:
Housing: Thermoplastic UL94V-0
Contact/Shield: Copper alloy
Shield plating: Nickel
Contact plating: Gold 6 micro-inches min. In contact area.
3. Maximum reflow temperature is: 250°C, 5 Sec.
4. UL Certification: File Number E484635.



X:X ±0.30	APPD:	LINK-PP INT'L TECHNOLOGY CO., LIMITED		
X:XX ±0.25	CHKD:			
X:XXX ±0.05	DR: TOM	TITLE: Surface Mount 1×1 Tab-Up Jack With 10/100 Magnetic		
ANGLES ±1°	UNIT: mm	PART NO.: LPJ19416BHNL		
	SCALE: 2/1	SHEET: 2/2	REV: A	DWG NO.: LP13122629