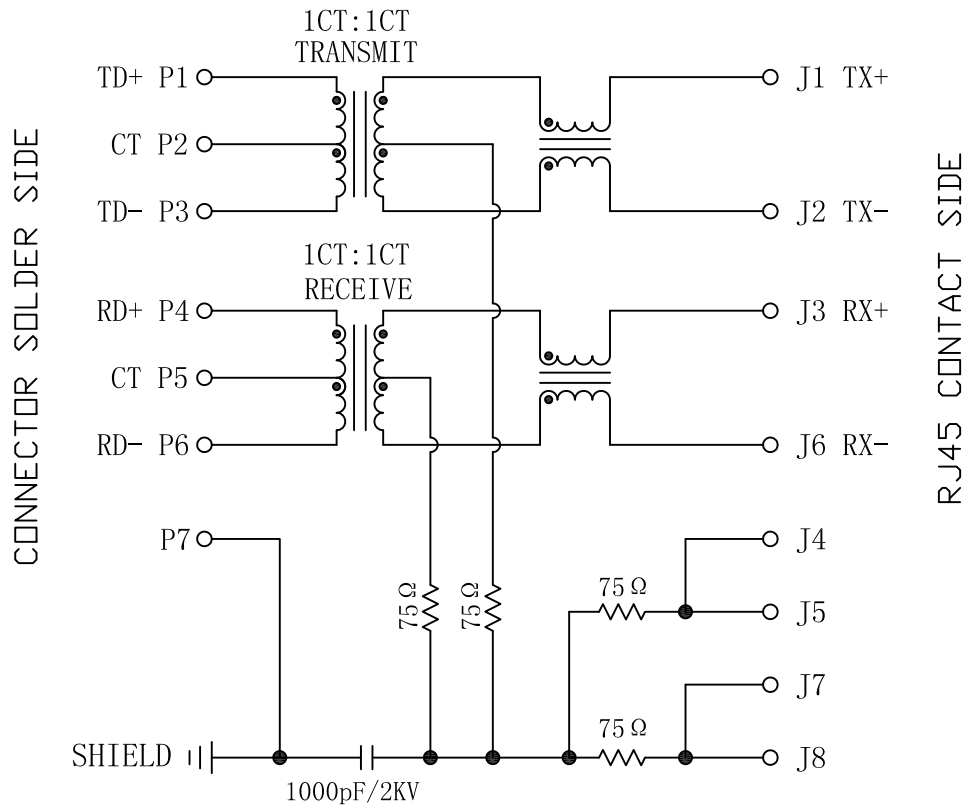


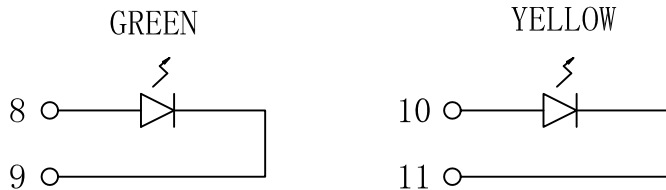
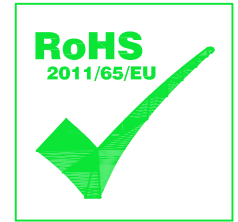
Schematic:

REV.	ECN NO.	DESCRIPTION	DATE	APPD
A	REL		24/04/2009	



ELECTRICAL SPECIFICATIONS@25°C

- Turn Ratio($\pm 3\%$):
TX=1CT : 1CT RX=1CT : 1CT
- Inductance OCL: 350uH MIN
@100KHz/0.1V, 8mA DC Bias
- DCR:
PINS: (J1-J2), (J3-J6)=1.2 OHMS MAX
- Insertion Loss:
-1.0dB MAX @ 0.3-100MHz
- Return Loss:
-20dB MIN @ 1-30MHz
-15dB MIN @ 30-60MHz
-10dB MIN @ 60-80MHz
- Cross talk:
-30dB MIN @ 1-100MHz
- Common Mode Rejection:
-30dB MIN @ 1-100MHz
- Hipot Test: 1500Vrms MIN
- Operating Temperature: -40°C TO +85°C

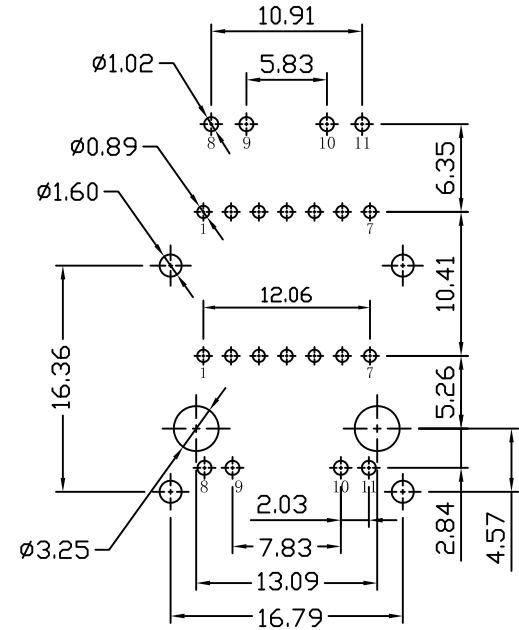
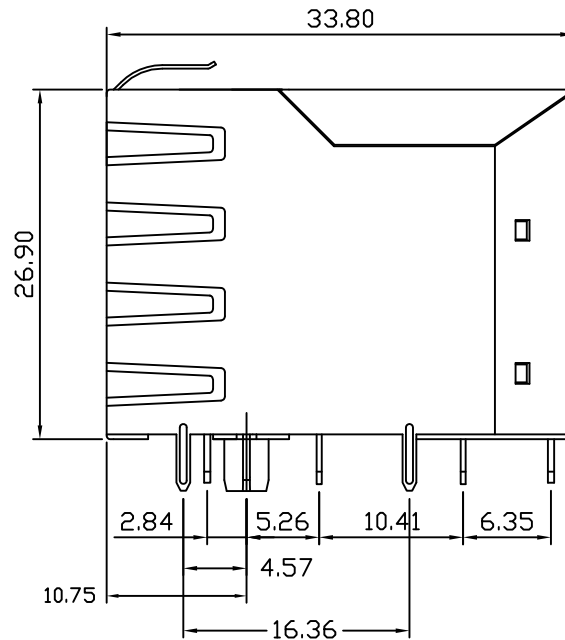
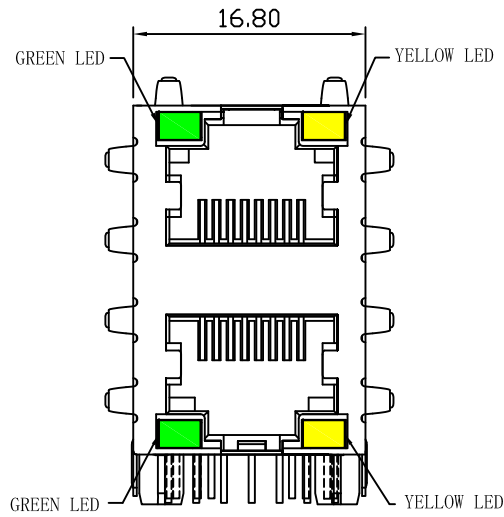


Emitting Color	λ p(nm)	VF@IF=20mA	IR @VR=5V
Green	570	1.8~2.6V	10 μ A max
Yellow	585	1.8~2.6V	10 μ A max

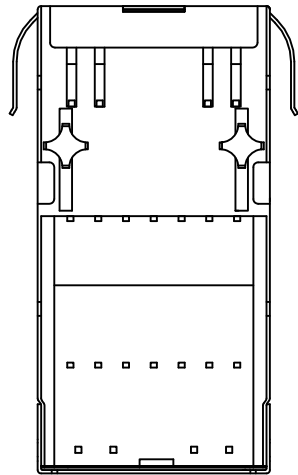
X:X	± 0.30	APPD:	LINK-PP INT'L TECHNOLOGY CO., LIMITED		
X:XX	± 0.25	CHKD:	TITLE: RJ45 Connector with 10/100 BASE-T Integrated Magnetics		
X:XXX	± 0.05	DR: TOM			
ANGLES	$\pm 1^\circ$	UNIT: mm	PART NO.: LPJ17633AENL		
	SCALE: 2/1	SHEET: 1/2	REV: A	DWG NO.: LP09042410	

Mechanical:

REV.	ECN NO.	DESCRIPTION	DATE	APPD
A	REL		24/04/2009	



SUGGESTED PCB LAYOUT (TOP VIEW)



NOTES:

1. Designed to support application, such as SOHO (ADSL modems), LAN-on-Motherboard (LOM), hub and Switches.
2. Meets IEEE 802.3 specification
3. Connector Materials:
 Housing: Thermoplastic UL94V-0
 Contact/Shield: Copper alloy
 Shield plating: Nickel
 Contact plating: Gold 6 micro-inches min. In contact area.
4. Wave solder tip temperature: 260°C
 Wave solder tip temperature time: 5 Sec Max



X:X ±0.30	APPD:	LINK-PP INT'L TECHNOLOGY CO., LIMITED
X:XX ±0.25	CHKD:	
X:XXX ±0.05	DR: TOM	TITLE: RJ45 Connector with 10/100 BASE-T Integrated Magnetics
ANGLES ±1°	UNIT: mm	PART NO.: LPJ17633AENL
	SCALE: 2/1	SHEET: 2/2
	REV: A	DWG NO.: LP09042410