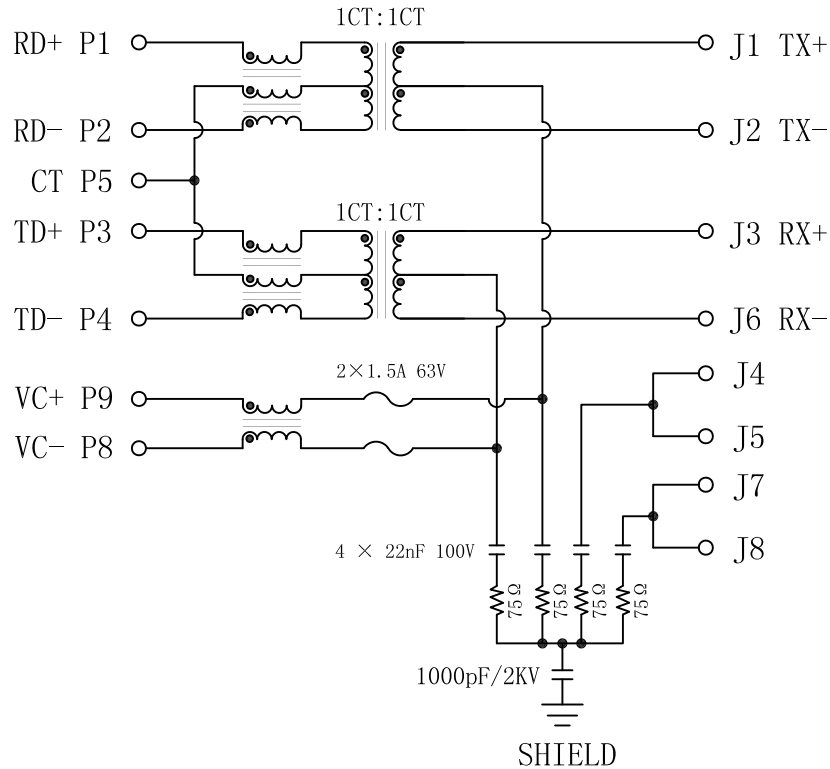


Schematic:

REV.	ECN NO.	DESCRIPTION	DATE	APPD
A	REL		2019-09-12	

PC BOARD CONNECTIONS



RJ45 CONNECTOR

Electrical Specifications 25°C
Transmitter filter & Receiver filter

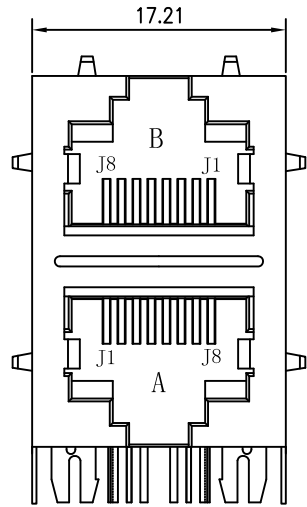
- Turns Ratio: (@100KHz, 0.1V)
TX=1CT:1CT RX=1CT:1CT
- Inductance 350uH Min
@100KHz, 0.1V, 8mA, DC Bias
- Hipot: 1500Vrms
- Insertion Loss:
-1.0dB MAX @1-100MHz
- Return Loss:
-18dB MIN. @1-30MHz
-16dB MIN. @30-60MHz
-12dB MIN. @60-80MHz
- Cross Talk:
-40dB MIN @1-30MHz
-35dB MIN @30-60MHz
-30dB MIN @60-100MHz
- Common Mode Rejection:
-40dB MIN @10-60MHz
-30dB MIN @60-100MHz
- DC Current/Voltage Rating-PoE: 600mA.
- Operating Temperature: 0°C ~ +70°C.



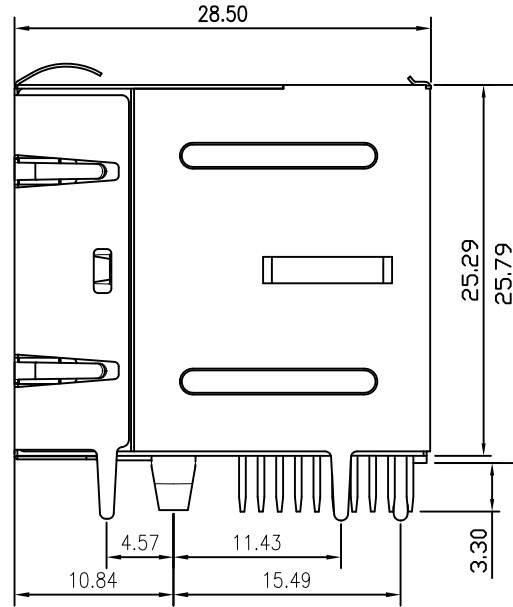
X:X ±0.30	APPD:	LINK-PP INT'L TECHNOLOGY CO., LIMITED
X:XX ±0.25	CHKD:	
X:XXX ±0.05	DR: TOM	TITLE: 2*1 RJ45 Connector with 10/100 Base-T Integrated Magnetics For PoE+ Application
ANGLES ±1°	UNIT: mm	PART NO.: LPJ17492CNL
	SCALE: 2/1	SHEET: 1/2
	REV: A	DWG NO.: LP19091201

Mechanical:

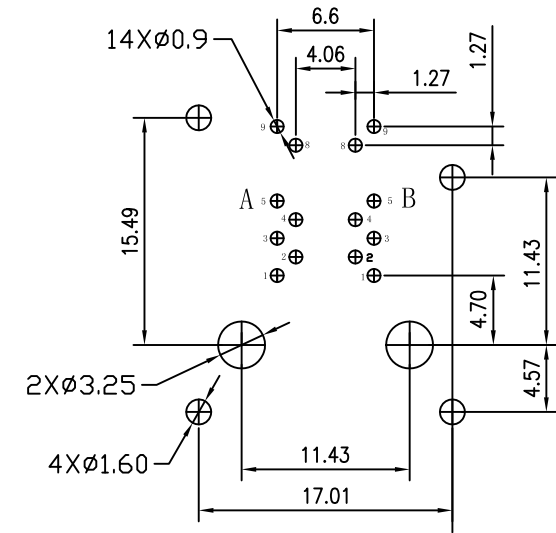
REV.	ECN NO.	DESCRIPTION	DATE	APPD
A	REL		2019-09-12	



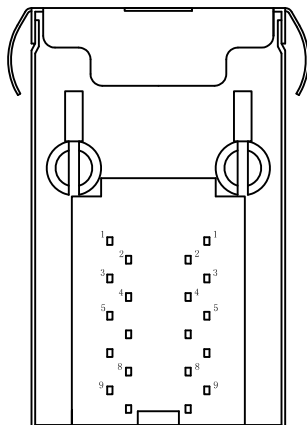
Front Side View



Left Side View



Suggested PCB Layout (Top View)



Bottom Side View



NOTES:

1. Meets IEEE 802.3at specification
2. Connector Materials:
 Housing Material: Thermoplastic PBT+30%G.F UL94V-0
 Contact Material: Phosphor Bronze C5210R-EH Thickness=0.35mm
 Pins: Brass C2680R-H Thickness=0.35mm
 Shield: Copper alloy Brass H65Y Thickness=0.20mm
 Shield plating: Nickel
 Contact plating: Gold 6 micro-inches min. In contact area.
3. Wave solder tip temperature: 265°C Max, 5 Sec.
4. UL Certification: File Number E484635.

X:X ±0.30	APPD:	LINK-PP INT'L TECHNOLOGY CO., LIMITED
X:XX ±0.25	CHKD:	
X:XXX ±0.05	DR: TOM	TITLE: 2*1 RJ45 Connector with 10/100 Base-T Integrated Magnetics For PoE+ Application
ANGLES ±1°	UNIT: mm	PART NO.: LPJ17492CNL
	SCALE: 2/1	SHEET: 2/2
	REV: A	DWG NO.: LP19091201