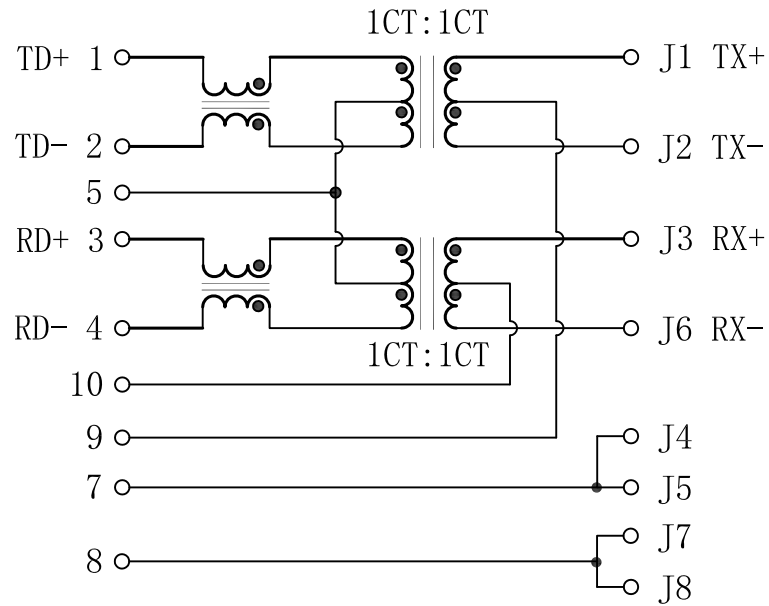


Schematic:

REV.	ECN NO.	DESCRIPTION	DATE	APPD
A	REL		2013/01/31	

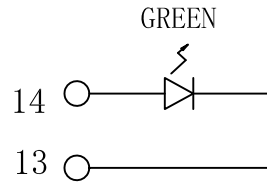
PC BOARD CONNECTIONS



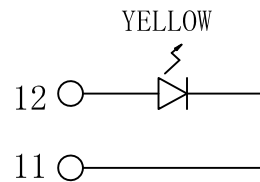
RJ45 CONNECTOR

Electrical Specifications @25°C

- Turns Ratio: TX=1CT:1CT RX=1CT:1CT
- Inductance (@ 100KHz, 0.1V, 8mA DC BIAS): 350uH MIN
- Insertion Loss: 1-100MHz:-1.0dB MAX
- Return Loss:
 - 0.1-30MHz:-18dB TYP
 - 30-60MHz:-16dB TYP
 - 60-100MHz:-10dB TYP
- Crosstalk:
 - 0.1-30MHz:-40dB MIN
 - 30-60MHz:-35dB MIN
 - 60-100MHz:-30dB MIN
- CMR: 0.1-100MHz:-30dB MIN
- DCMR: 0.1-100MHz:-30dB MIN
- PoE applications current capability: 600mA.
- Hipot: 1500Vrms
- Operating Temperature: 0°C~70°C.



LEFT LED



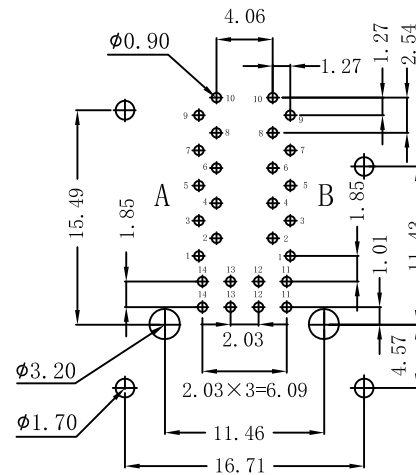
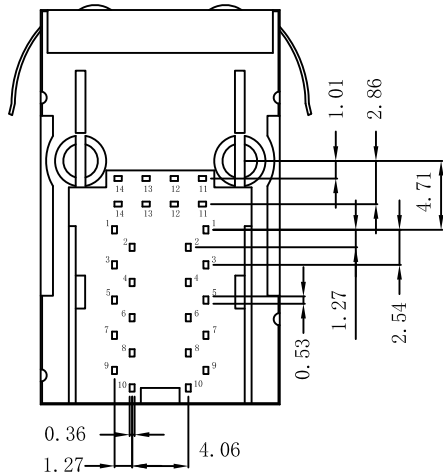
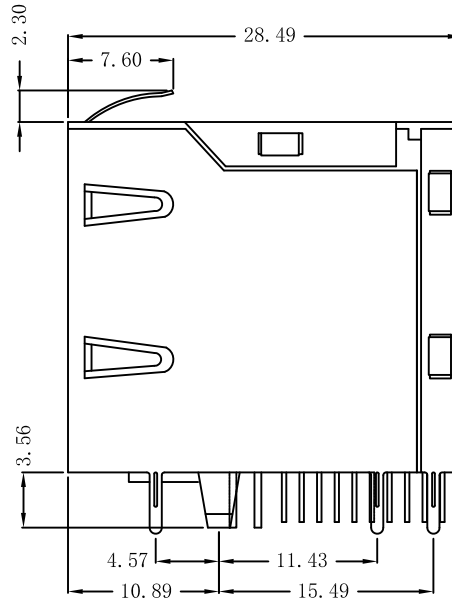
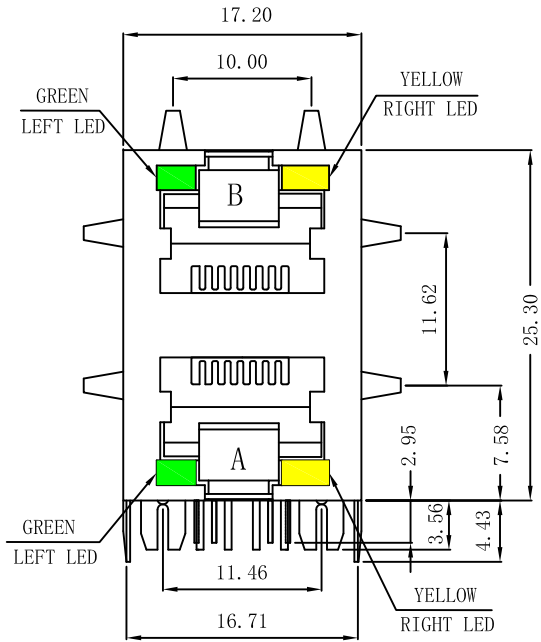
RIGHT LED

Emitting Color	λ p(nm)	VF@IF=20mA	IR @VR=5V
GREEN	565	1.8~2.6V	10 μ A max
YELLOW	585	1.8~2.6V	10 μ A max



X:X	± 0.30	APPD:	LINK-PP INT'L TECHNOLOGY CO., LIMITED
X:XX	± 0.25	CHKD:	
X:XXX	± 0.05	DR: TOM	TITLE: RJ45 2X1 W/Transformer.10/100 Base-T (PoE+) W/LED
ANGLES	$\pm 1^\circ$	UNIT: mm	PART NO.: LPJ17404AHNL
	SCALE: 2/1	SHEET: 1/2	REV: A DWG NO.: LP130113101

Mechanical :



Suggested PCB Layout (TOP VIEW)

REV.	ECN NO.	DESCRIPTION	DATE	APPD
A	REL		2013/01/31	

NOTES:

- Designed to support application, such as SOHO (ADSL modems), LAN-on-Motherboard (LOM), hub and Switches.
- Meets IEEE 802.3 specification
- Connector Materials:
Housing: Thermoplastic UL94V-0
Contact/Shield: Copper alloy
Shield plating: Nickel
Contact plating: Gold 6 micro-inches min.
In contact area.
- Wave solder tip temperature: 265°C Max, 5 Sec Max.
- UL Certification: File Number E484635.



X:X	± 0.30	APPD:	LINK-PP INT'L TECHNOLOGY CO., LIMITED	
X:XX	± 0.25	CHKD:	TITLE: RJ45 2X1 W/Transformer. 10/100 Base-T (PoE+) W/LED	
X:XXX	± 0.05	DR: TOM	PART NO. : LPJ17404AHNL	
ANGLES	$\pm 1^\circ$	UNIT: mm	SHEET: 2/2	
SCALE: 2/1		REV: A	DWG NO. : LP130113101	