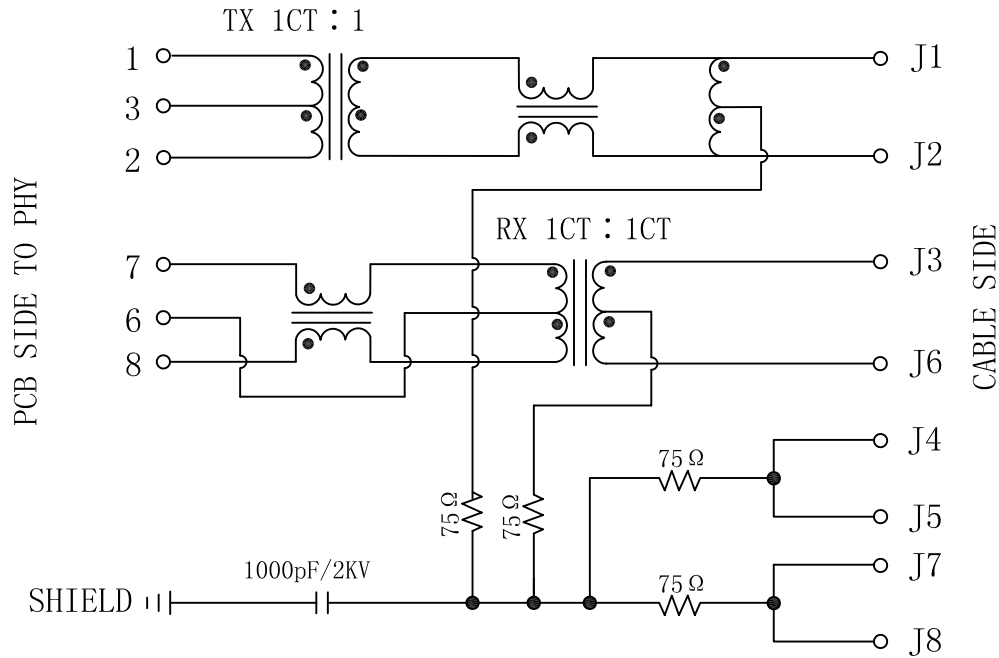
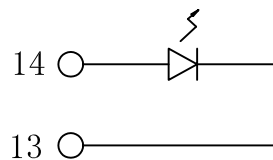


Schematic:

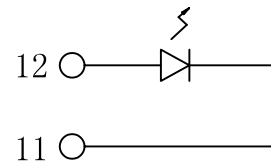
REV.	ECN NO.	DESCRIPTION	DATE	APPD
A	REL		26/11/2009	



GREEN/LEFT LED



YELLOW/RIGHT LED



Electrical Specifications @25°C

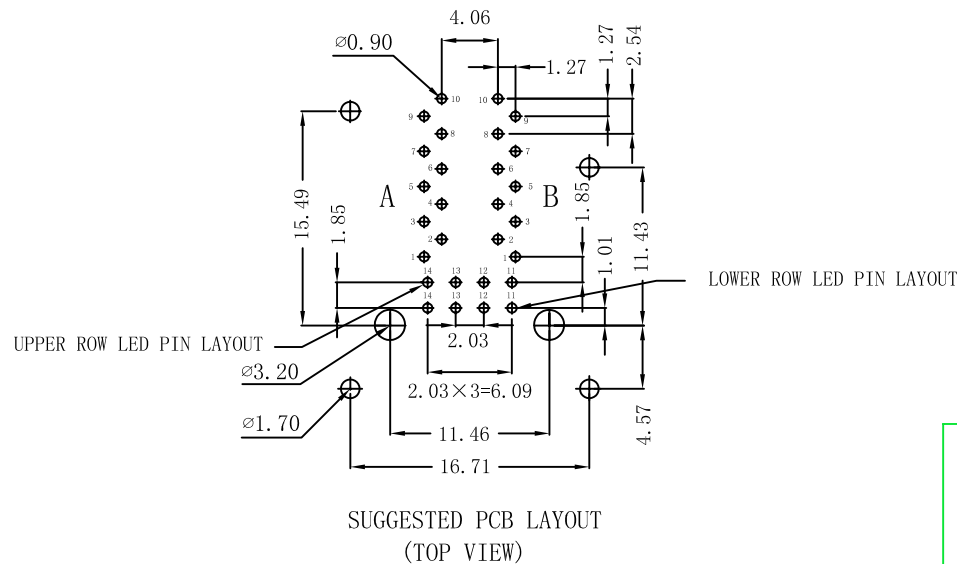
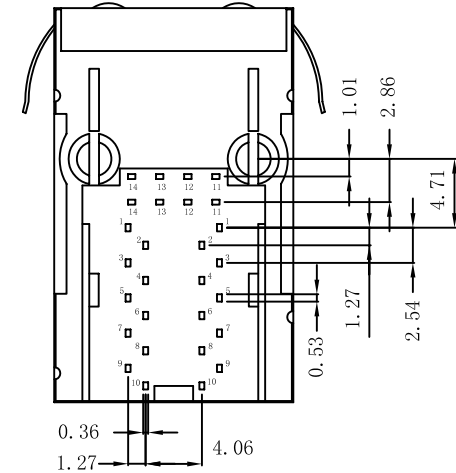
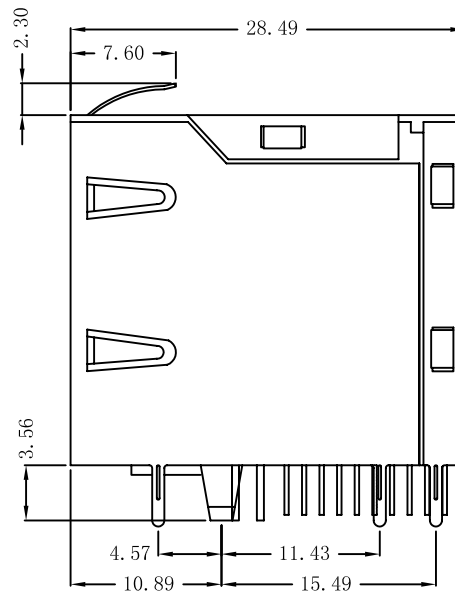
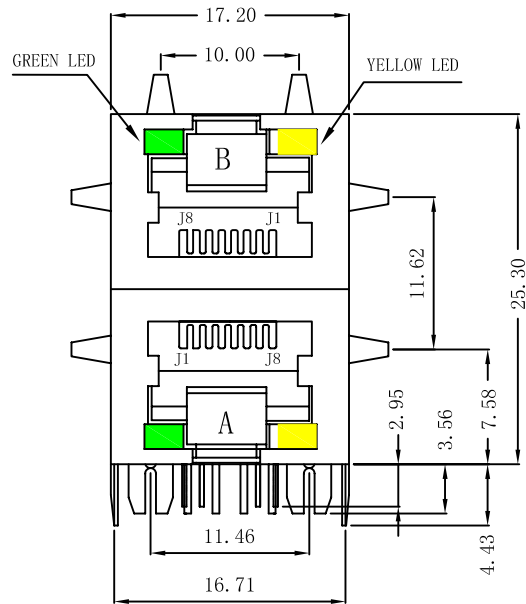
- Transmitter filter & Receiver filter
Type: Balance low pass 100Ω impedance
Insertion Loss: 1-100MHz: -1.0dB MAX
Return Loss:
1-30MHz: -18dB Min. load 100Ω
30-60MHz: -16dB Min. load 100Ω
60-80MHz: -12dB. Min. load 100Ω
- Turns Ratio:
TX=1CT : 1 RX=1CT : 1CT
- Inductance (100KHz, 0.1V, 8mA DC BIAS):
350uH Min
- Crosstalk: 1-100MHz: -30dB Min
- CMR: 1-100MHz: -30dB Min
- Hipot Test:
Input (R1-R3) to Output (C1-C2): 1500VAC
Input (R4-R6) to Output (C3-C6): 1500VAC
- Operating Temperature: 0°C to 70°C.



X:X	±0.20	APPD:	LINK-PP INT'L TECHNOLOGY CO., LIMITED	
X:XX	±0.10	CHKD:	Title: RJ45 2X1 /Transformer. 10/100 Base-T W/LED	
X:XXX	±0.05	DR: TOM	PART NO. : LPJ17225AHNL	
ANGLES	±1°	UNIT: mm	PART NO. : LPJ17225AHNL	
	SCALE: 2/1	SHEET: 1/2	REV: A	DWG NO. : LP09112608

Mechanical :

REV.	ECN NO.	DESCRIPTION	DATE	APPD
A	REL		26/11/2009	



NOTES:

1. Designed to support application, such as SOHO (ADSL modems), LAN-on-Motherboard (LOM), hub and Switches.
2. Meets IEEE 802.3 specification
3. Connector Materials:
Housing: Thermoplastic UL94V-0
Contact/Shield: Copper alloy
Shield plating: Nickel
Contact plating: Gold 6 micro-inches min. In contact area.
4. Wave solder tip temperature: 265°C Max
Wave solder tip temperature time: 5 Sec Max



X:X	±0.20	APPD:	LINK-PP INT'L TECHNOLOGY CO., LIMITED
X:XX	±0.10	CHKD:	
X:XXX	±0.05	DR: TOM	Title: RJ45 2x1 /Transformer. 10/100 Base-T W/LED
ANGLES	±1°	UNIT: mm	PART NO.: LPJ17225AHNL
	SCALE: 2/1	SHEET: 2/2	REV: A DWG NO.: LP09112608