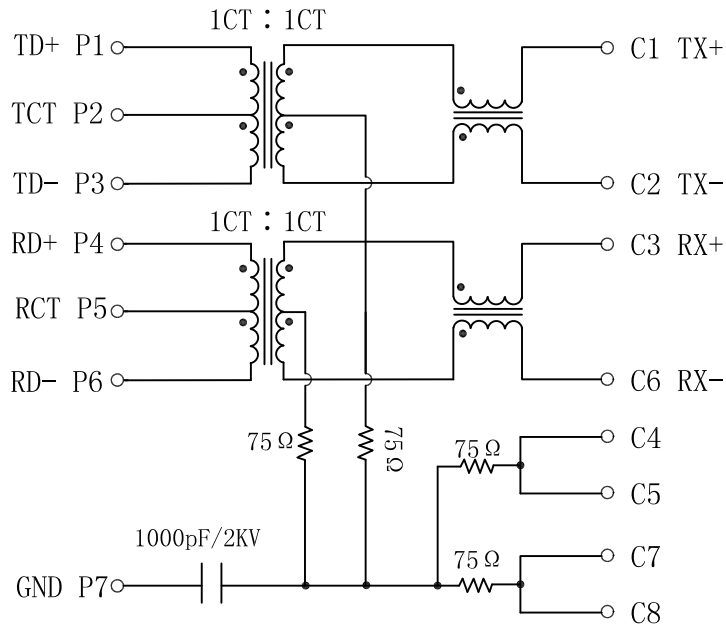


Schematic:

REV.	ECN NO.	DESCRIPTION	DATE	APPD
A	REL		19/06/2007	

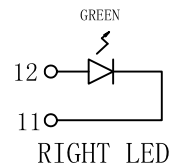
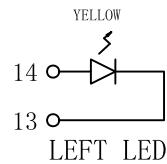
PCB SIDE TO PHY



CABLE SIDE

Electrical Specifications @25°C:

- Turns Ratio: TX=1CT : 1CT RX=1CT : 1CT
- Inductance @100KHz, 0.1V, 8mA DC BIAS
Input (P1-P3), Input (P4-P6) : 350uH MIN
- Transmitter filter & Receiver filter
Type: Balance low pass 100Ω impedance
Insertion Loss: 1-100MHz: -1.0dB MAX
Return Loss:
1-30MHz: -18dB MIN. load 100Ω
30-60MHz: -16dB MIN. load 100Ω
60-80MHz: -12dB MIN. load 100Ω
- Crosstalk:
1-100MHz: -30dB MIN
- Common Mode Rejection:
1-100MHz: -30dB MIN
- Hipot Test:
Input (P1-P3) to Output (C1-C2) : 1500VAC, 60sec
Input (P4-P6) to Output (C3-C6) : 1500VAC, 60sec
- Operating temperature: 0°C to 70°C.



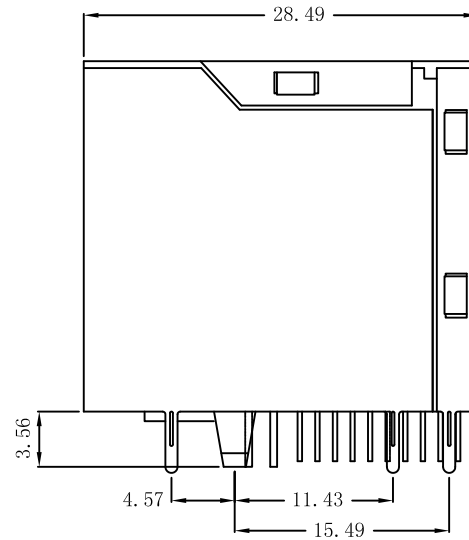
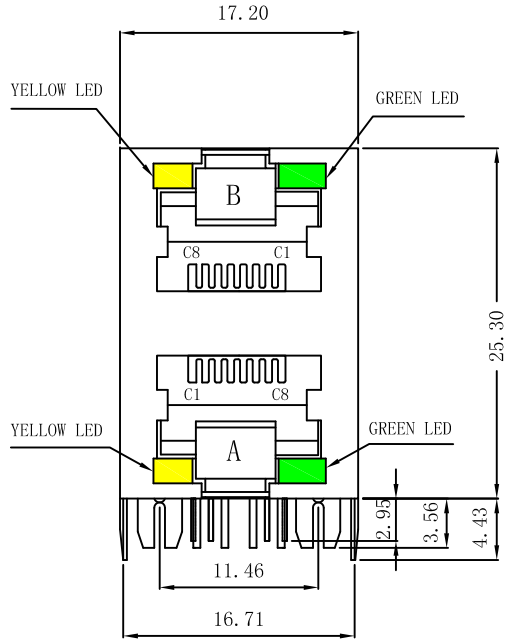
Emitting Color	λ p(nm)	V _F @I _F =20mA	I _R @V _R =5V
Green	565	1.8~2.6V	10 μ A max
Yellow	585	1.8~2.6V	10 μ A max



X:X	±0.30	APPD:	LINK-PP INT'L TECHNOLOGY CO., LIMITED	
X:XX	±0.25	CHKD:	TITLE: RJ45 21 W/Transformer. 10/100 Base-T W/LED	
X:XXX	±0.05	DR: TOM		
ANGLES	±1°	UNIT: mm	PART NO. : LPJ17206BGNL	
	SCALE: 2/1	SHEET: 1/2	REV: A	DWG NO. :

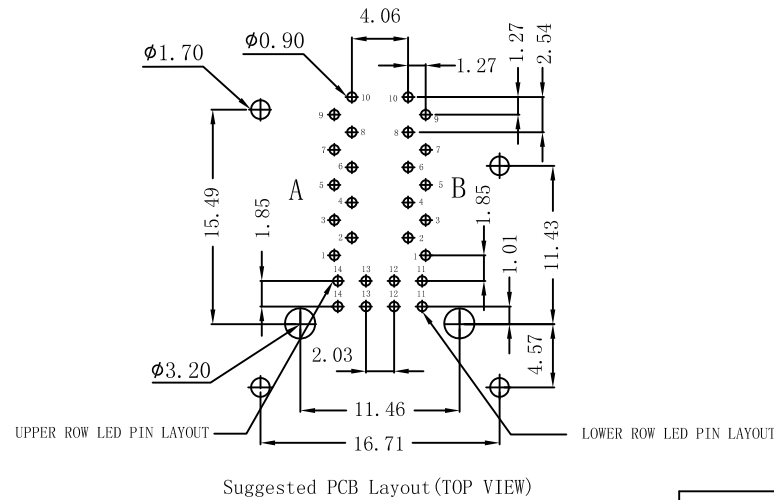
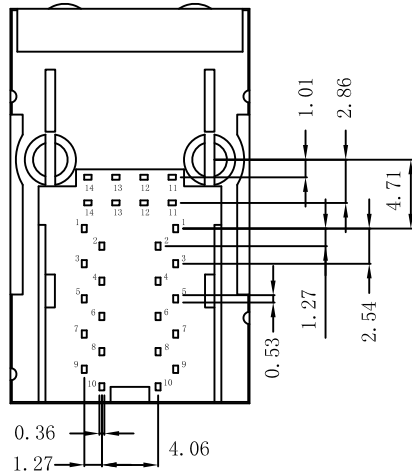
Mechanical :

REV.	ECN NO.	DESCRIPTION	DATE	APPD
A	REL		19/06/2007	



NOTES:

1. Designed to support application, such as SOHO (ADSL modems), LAN-on-Motherboard (LOM), hub and Switches.
2. Meets IEEE 802.3 specification
3. Connector Materials:
Housing: Thermoplastic UL94V-0
Contact/Shield: Copper alloy
Shield plating: Nickel
Contact plating: Gold 6 micro-inches Min. In contact area.
4. Wave solder tip temperature: 265°C Max, 5 Sec Max.



X:X	±0.30	APPD:	LINK-PP INT'L TECHNOLOGY CO., LIMITED	
X:XX	±0.25	CHKD:	TITLE: RJ45 2×1 W/Transformer. 10/100 Base-T W/LED	
X:XXX	±0.05	DR: TOM	PART NO. : LPJ17206BGNL	
ANGLES	±1°	UNIT: mm		
	SCALE: 2/1	SHEET: 2/2	REV: A	DWG NO. :