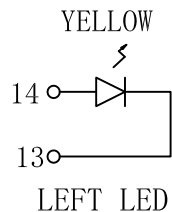
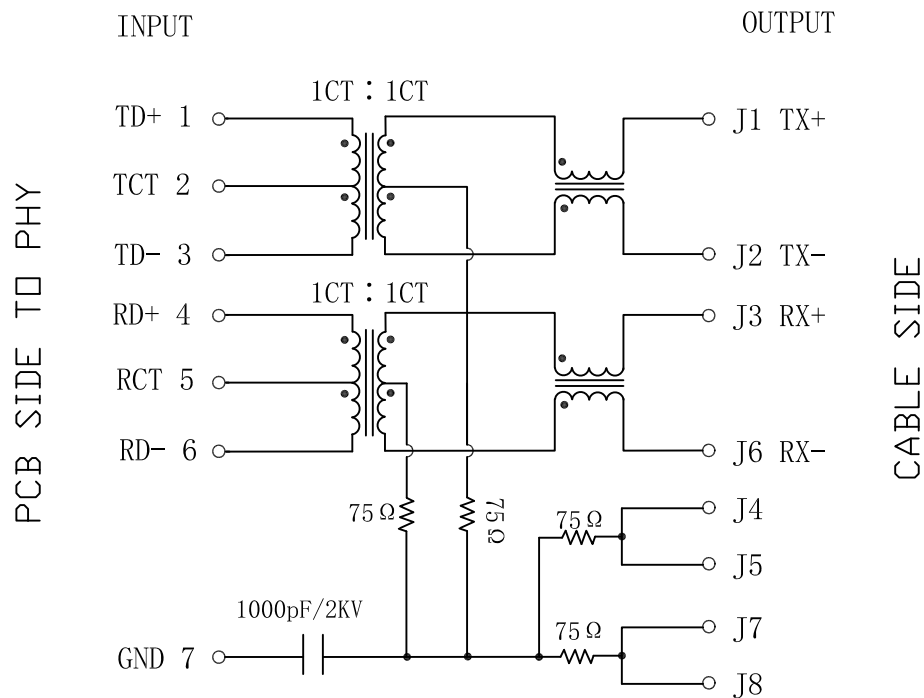
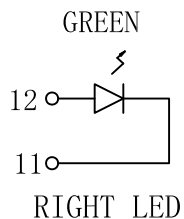


Schematic:

REV.	ECN NO.	DESCRIPTION	DATE	APPD
A	REL		19/06/2007	



LED POLARITY		COLOR
PIN 14	PIN 13	
+	-	YELLOW



LED POLARITY		COLOR
PIN 12	PIN 11	
+	-	GREEN



Electrical Specifications:

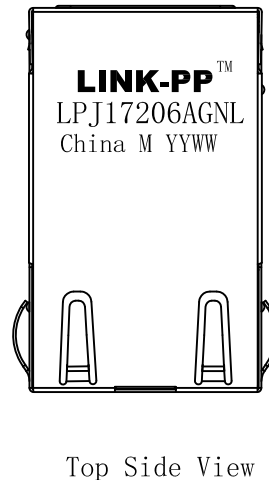
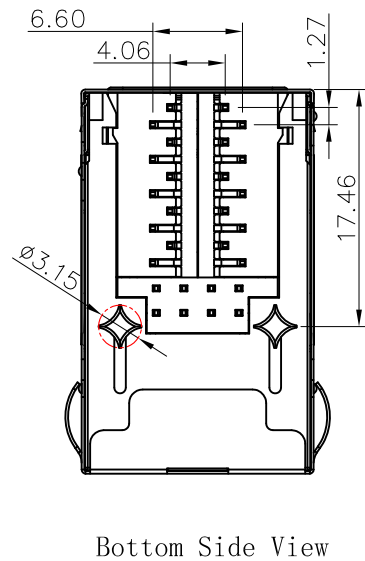
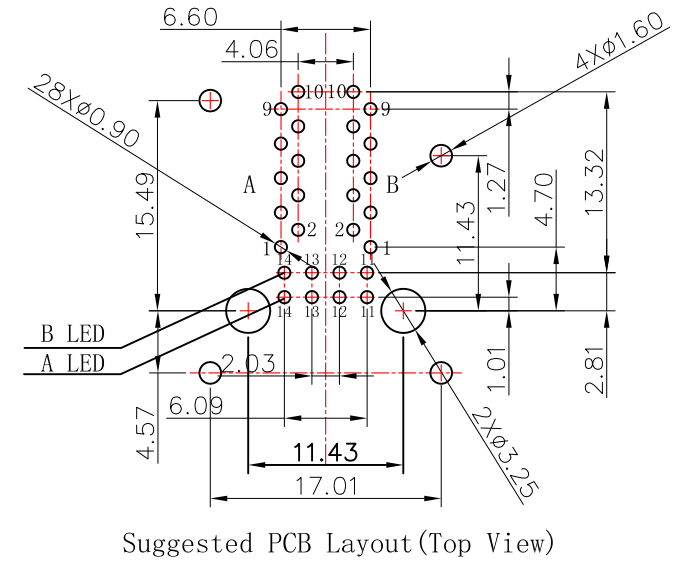
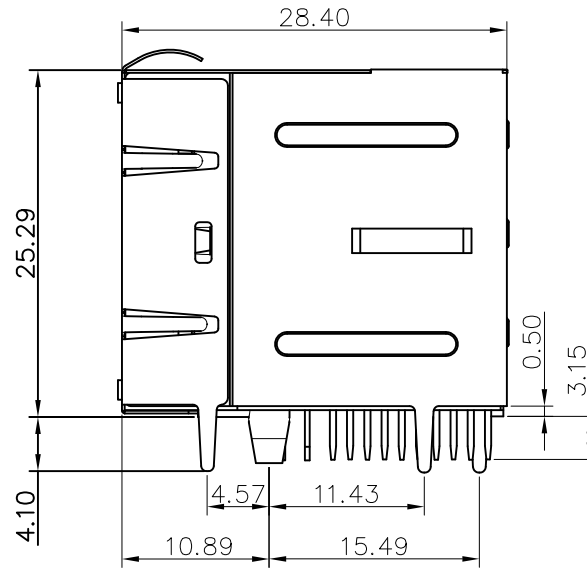
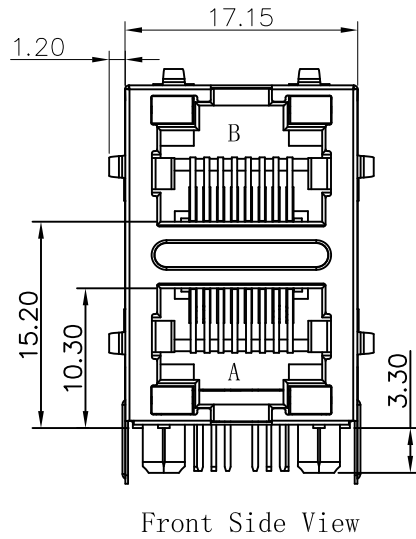
- Transmitter filter & Receiver filter
Type: Balance low pass 100Ω impedance
Insertion Loss: 1-100MHz: -1.0dB MAX
Return Loss:
1-30MHz: -18dB MIN. load 100Ω
30-60MHz: -16dB MIN. load 100Ω
60-80MHz: -12dB MIN. load 100Ω
- Turns Ratio: TX=1CT : 1CT RX=1CT : 1CT
- Inductance @100KHz, 0.1V, 8mA DC BIAS
Input (1-3), Input (4-6) : 350uH MIN
- Crosstalk (min): 1-100MHz: -30dB MIN
- CMR: 1-100MHz: -30dB MIN
- Hipot Test:
Input (R1-R3) to Output (C1-C2) : 1500VAC, 60sec
Input (R4-R6) to Output (C3-C6) : 1500VAC, 60sec
- Operating temperature: -40°C ~ +85°C.

Emitting Color	λ p(nm)	VF@IF=20mA	IR @VR=5V
GREEN	565	1.8-2.6V	10 μ A max
YELLOW	585	1.8-2.6V	10 μ A max

X:X	±0.30	APPD:	LINK-PP INT'L TECHNOLOGY CO., LIMITED
X:XX	±0.25	CHKD:	
X:XXX	±0.05	DR: TOM	TITLE: RJ45 2×1 W/Transformer. 10/100 Base-T W/LED
ANGLES	±1°	UNIT: mm	PART NO.: LPJ17206AGNL
	SCALE: 2/1	SHEET: 1/2	REV: A DWG NO.:

Mechanical :

REV.	ECN NO.	DESCRIPTION	DATE	APPD
A	REL		19/06/2007	



NOTES:

1. Meets IEEE 802.3 specification
2. Connector Materials:
 Housing Material: Thermoplastic PBT+30%G.F UL94V-0
 Contact Material: Phosphor Bronze C5210R-EH Thickness=0.35mm
 Pins: Brass C2680R-H Thickness=0.35mm
 Shield: Copper alloy Brass H65Y Thickness=0.20mm
 Shield plating: Nickel
 Contact plating: Gold 6 micro-inches min. In contact area.
3. Wave solder tip temperature: 265°C Max, 5 Sec Max
4. UL Certification: File Number E484635.



X:X	±0.30	APPD:	LINK-PP INT'L TECHNOLOGY CO., LIMITED
X:XX	±0.25	CHKD:	
X:XXX	±0.05	DR: TOM	TITLE: RJ45 2×1 W/Transformer.10/100 Base-T W/LED
ANGLES	±1°	UNIT: mm	PART NO.: LPJ17206AGNL
	SCALE: 2/1	SHEET: 2/2	REV: A DWG NO.: