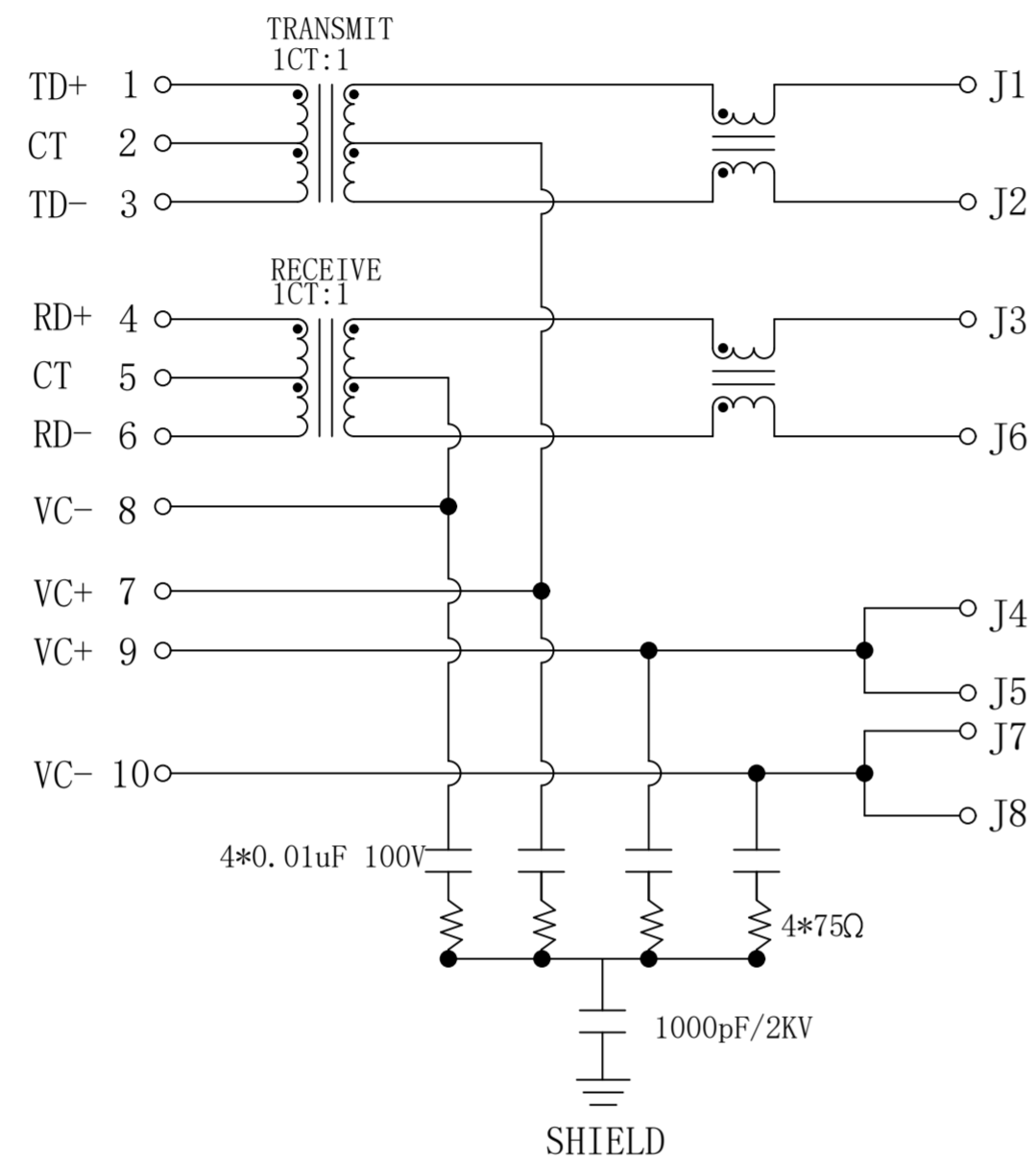


Schematic:

REV.	ECN NO.	DESCRIPTION	DATE	APPD
A	REL		2017/07/22	

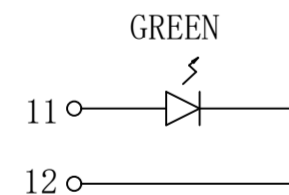
PC BOARD CONNECTIONS



RJ45 CONNECTOR

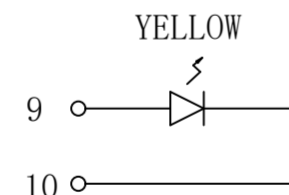
Electrical Specifications @25°C

- Turns Ratio ($\pm 2\%$) :
TX=1CT:1CT RX=1CT:1CT
- Primary Inductance(1-3, 4-6): 350uH Min
@100KHz, 0.1Vrms, 8mA DC bias
- Insertion Loss:
1-100MHz: -1.0dB Max
- Return Loss(dB Min):
1-30MHz:-18; 30-60MHz:-16
60-80MHz:-12;
- Crosstalk(dB Min):
1-30MHz: -40; 30-60MHz:-35
60-100MHz: -30
- Common Mode Rejection(dB Min):
1-60MHz: -40; 60-100MHz:-30
- Hipot Test: 1500Vrms
- Operating Temperature: 0°C~70°C.



LEFT LED

LED POLARITY		COLOR
PIN 11	PIN 12	
+	-	GREEN



RIGHT LED

LED POLARITY		COLOR
PIN 9	PIN 10	
+	-	YELLOW

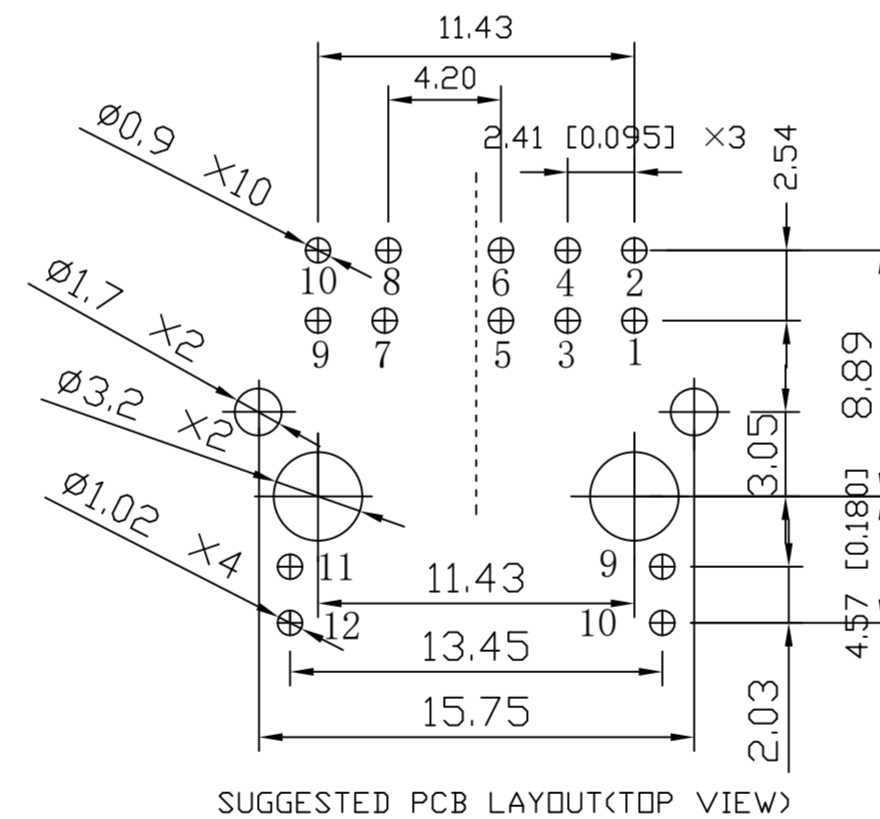
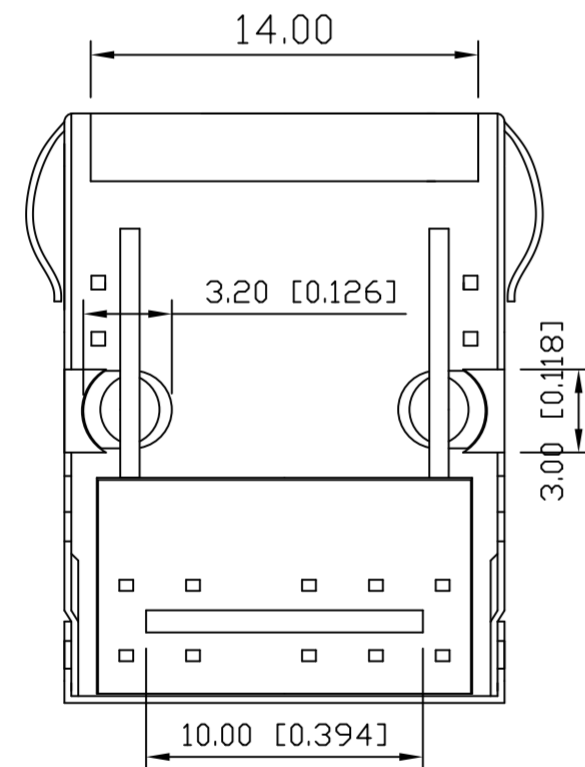
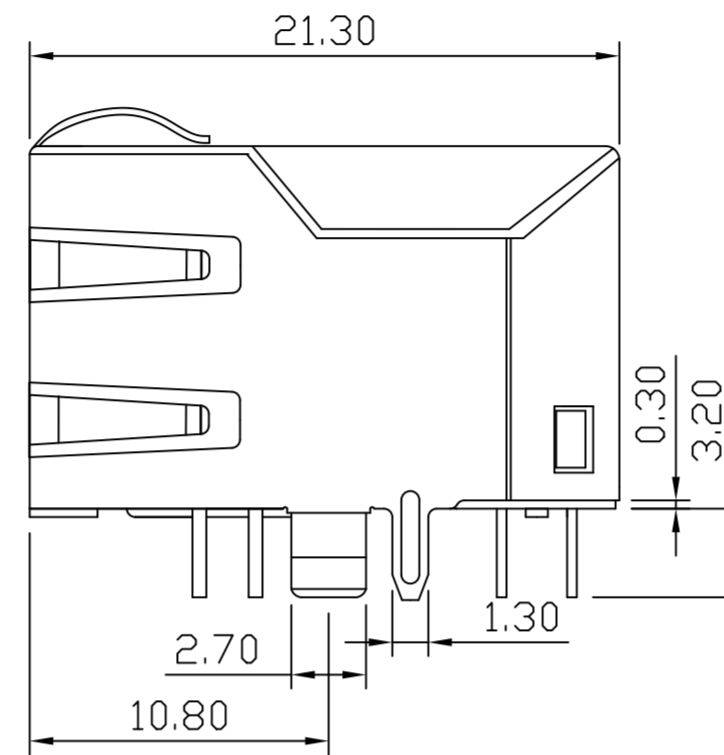
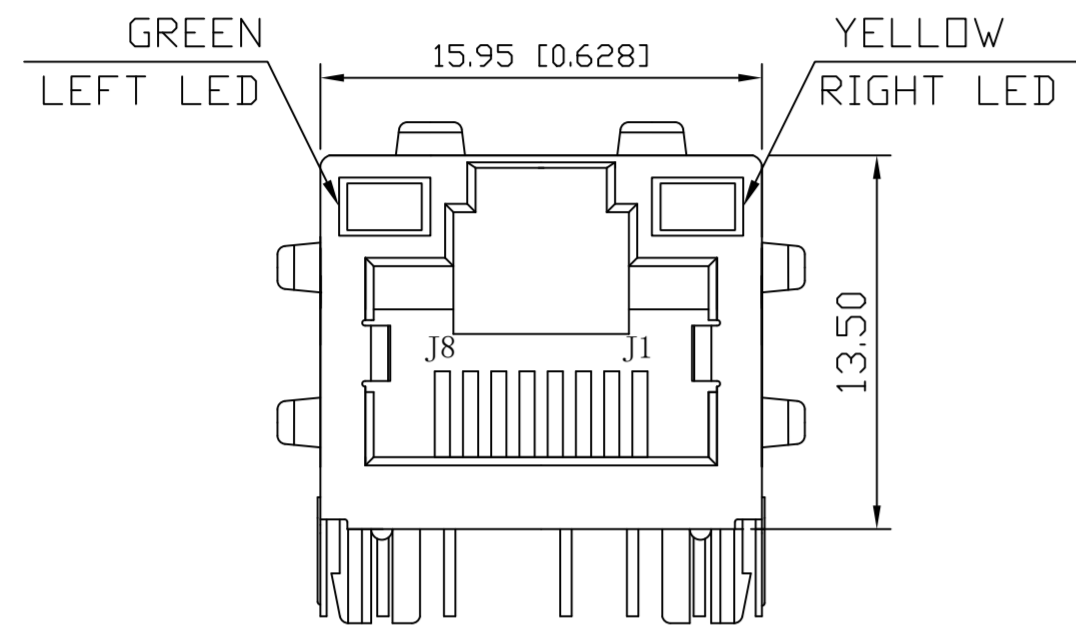
Emitting Color	λ_p (nm)	V _F @I _F =20mA	I _R @V _R =5V
GREEN	565	1.8~2.6V	10 μ A max
YELLOW	585	1.8~2.6V	10 μ A max



X:X	± 0.30	APPD: TOM	LINK-PP INT'L TECHNOLOGY CO., LIMITED
X:XX	± 0.25	CHKD: JAMES	
X:XXX	± 0.05	DR: LEO	TITLE: RJ45 Connector with 10/100 Base-T Integrated Magnetics For PoE Application
ANGLES	$\pm 1^\circ$	UNIT: mm	PART NO.: LPJ16801AENL
	SCALE: 2/1	SHEET: 1/2	REV: A DWG NO.: LP17072230

Mechanical:

REV.	ECN NO.	DESCRIPTION	DATE	APPD
A	REL		2017/07/22	



NOTES:

1. Designed to support application, such as SOHO (ADSL modems), LAN-on-Motherboard (LOM), hub and Switches.
2. Meets IEEE 802.3af specification
3. Connector Materials:
Housing: Thermoplastic PBT+30%G.F UL94V-0
Contact: Phosphor Bronze C5210R-EH Thickness=0.35mm
Pins: Brass C2680R-H Thickness=0.35mm
Shield: SUS 201-1/2H Thickness=0.2mm
Contact plating: Gold 6 micro-inches min. In contact area.
4. Wave solder tip temperature: 265°C Max, 5 Sec Max.
5. 350mA balanced DC line current capability.
6. UL Certification: File Number E484635.



X:X	±0.30	APPD: TOM	LINK-PP INT'L TECHNOLOGY CO., LIMITED	
X:XX	±0.25	CHKD: JAMES	TITLE: RJ45 Connector with 10/100 Base-T Integrated Magnetics For PoE Application	
X:XXX	±0.05	DR: LEO		
ANGLES	±1°	UNIT: mm	PART NO.: LPJ16801AENL	
	SCALE: 2/1	SHEET: 2/2	REV: A	DWG NO.: LP17072230