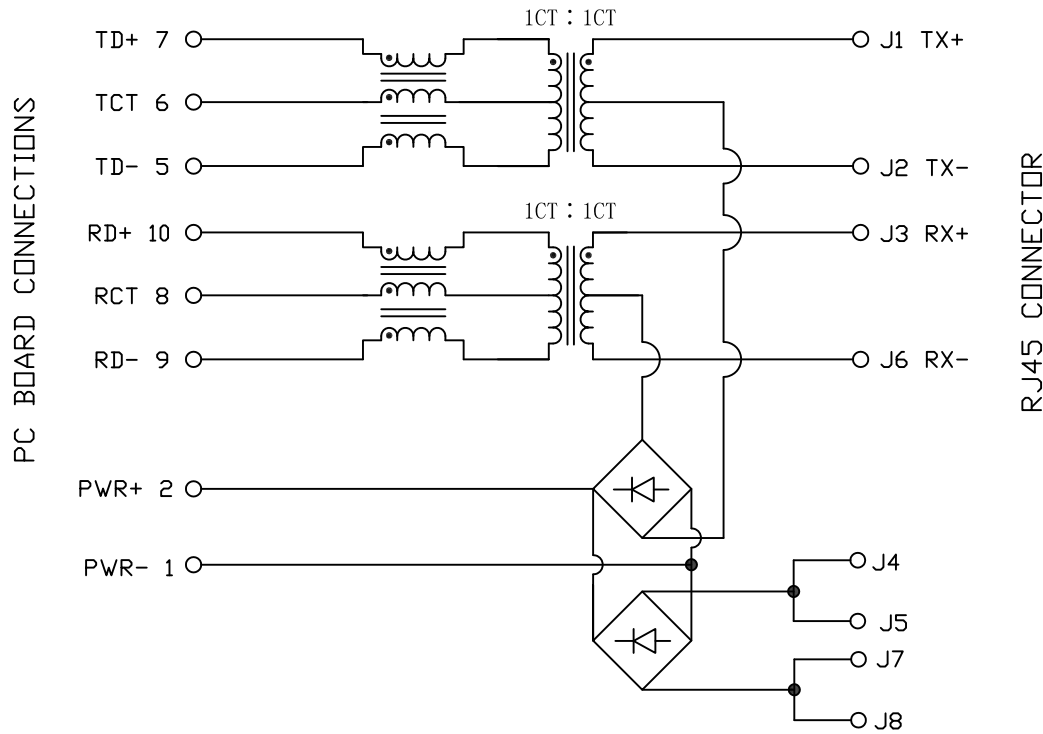


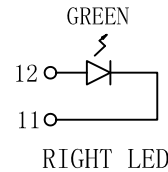
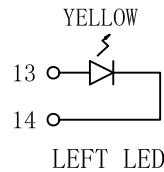
Schematic:

REV.	ECN NO.	DESCRIPTION	DATE	APPD
A	REL		2019-11-28	



ELECTRICAL SPECIFICATIONS @25°C

- Turn Ratio ($\pm 5\%$):
TX=1CT:1CT RX=1CT:1CT
- Inductance OCL:
350uH MIN @100KHz 0.1V 18mA DC Bias
- DCR:
1.2 Ω MAX
- Insertion Loss:
-1.2dB MAX @ 1-100MHz
- Return Loss:
-16dB MIN @ 1-30MHz
-12dB MIN @ 30-60MHz
-10dB MIN @ 60-80MHz
- Cross talk:
-30dB MIN @ 1-100MHz
- Common Mode Rejection:
-30dB MIN @ 1-100MHz
- DC Current/Voltage Rating-pse pins:
350mA @57V(continuous)
- Hipot Test: 1500Vrms
- Operating Temperature Range: -40°C to +85°C.

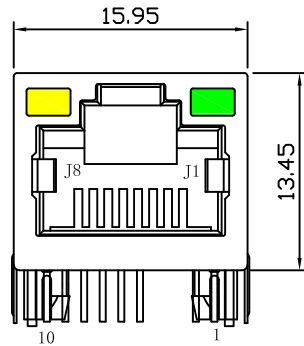


Emitting Color	λ_p (nm)	V _F @I _F =20mA	I _R @V _R =5V
GREEN	565	1.8~2.6V	10 μ A max
YELLOW	585	1.8~2.6V	10 μ A max

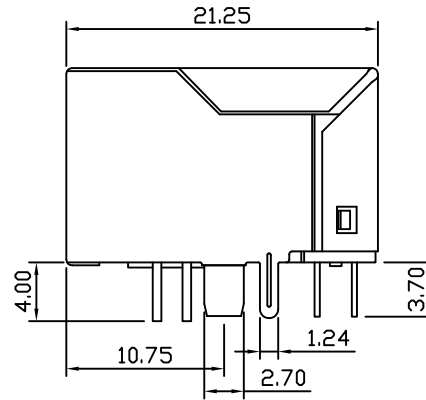
X:X	± 0.30	APPD:	LINK-PP INT'L TECHNOLOGY CO., LIMITED
X:XX	± 0.25	CHKD:	
X:XXX	± 0.05	DR: TOM	
ANGLES $\pm 1^\circ$		UNIT: mm	TITLE: RJ45 Connector with 10/100 Base-T Integrated Magnetics For PoE Application
		PART NO.:	LPJ166323B10NL
	SCALE: 2/1	SHEET: 1/2	REV: A
		DWG NO.:	LP19112805

Mechanical:

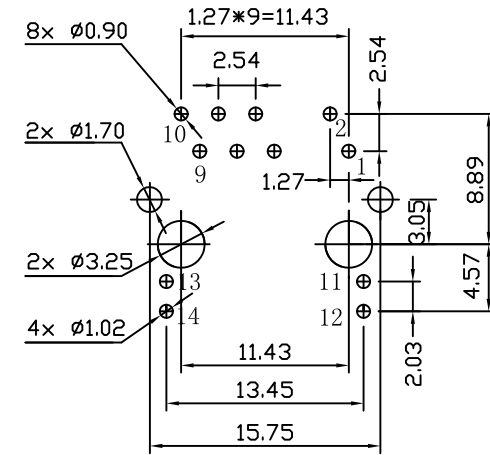
REV.	ECN NO.	DESCRIPTION	DATE	APPD
A	REL		2019-11-28	



Front Side View



Left Side View

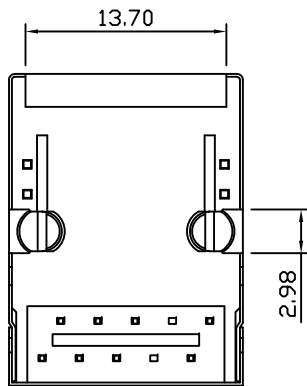


Suggested PCB Layout (Top View)

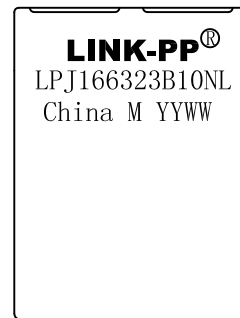


NOTES:

1. Designed to support application, such as SOHO (ADSL modems), LAN-on-Motherboard (LOM), hub and Switches.
2. Meets IEEE 802.3af specification
3. Connector Materials:
 Housing: Thermoplastic PBT+30%G.F UL94V-0
 Contact: Phosphor Bronze C5210R-EH Thickness=0.35mm
 Pins: Brass C2680R-H Thickness=0.35mm
 Shield: SUS 201-1/2H Thickness=0.2mm
 Contact plating: Gold 6 micro-inches min. In contact area.
4. Wave solder tip temperature: 265°C Max, 5 Sec.
5. UL Certification: File Number E484635.



Bottom Side View



Top Side View

X:X ±0.30	APPD:	LINK-PP INT'L TECHNOLOGY CO., LIMITED
X:XX ±0.25	CHKD:	
X:XXX ±0.05	DR: TOM	TITLE: RJ45 Connector with 10/100 Base-T Integrated Magnetics For PoE Application
ANGLES ±1°	UNIT: mm	PART NO.: LPJ166323B10NL
	SCALE: 2/1	SHEET: 2/2
	REV: A	DWG NO.: LP19112805