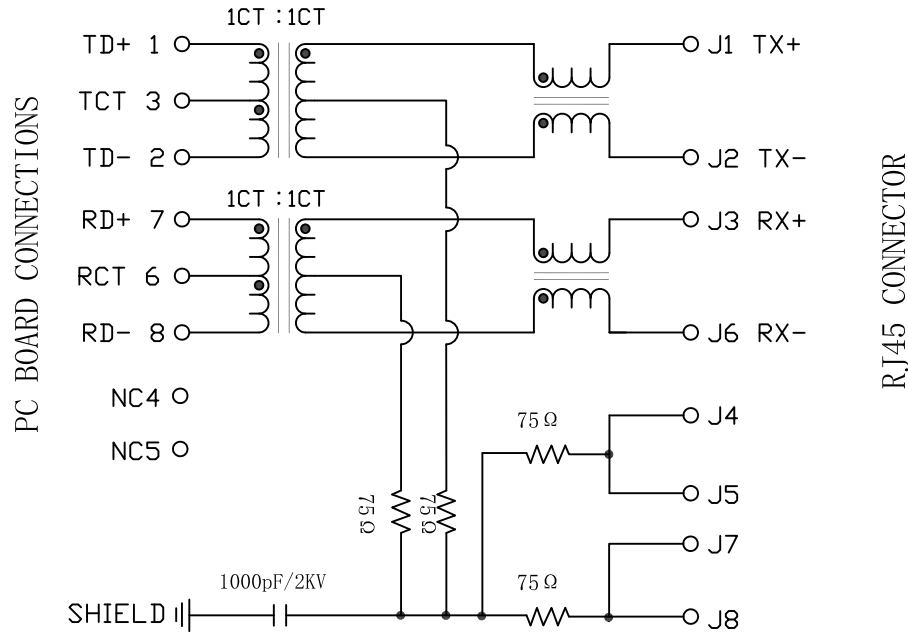


Schematic:

REV.	ECN NO.	DESCRIPTION	DATE	APPD
A	REL		2011-01-05	

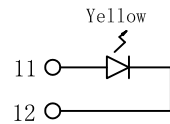


Electrical Specification @25°C

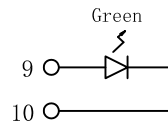
- Turns Ratio ($\pm 2\%$):
TX=1CT:1CT RX=1CT:1CT
- Inductance OCL: 350uH Min
@100KHz 0.1Vrms 8mADC bias current
- Insertion Loss:
0.3-65MHz:-1.2dB Max
- Return Loss(dB Min):
1-30MHz:-18 40MHz:-16
50MHz:-14 60-80MHz:-12
- Crosstalk:
0.3-80MHz:-30dB Min
- Common Mode Rejection:
1-150MHz:-50dB Min
- Isolation Voltage: 1500Vrms
- Operating Temperature: $-40^{\circ}\text{C} \sim +85^{\circ}\text{C}$.

PC BOARD CONNECTIONS

RJ45 CONNECTOR



Left LED



Right LED

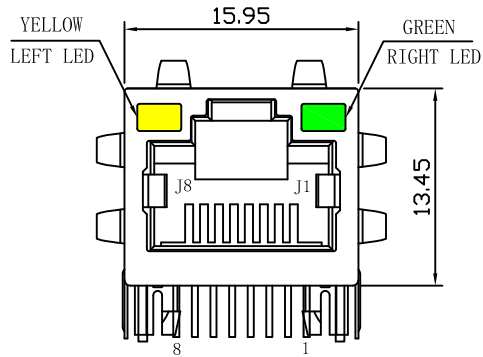
Emitting Color	λ p(nm)	VF@IF=20mA	IR @VR=5V
Green	565	1.8~2.6V	10 μ A max
Yellow	585	1.8~2.6V	10 μ A max



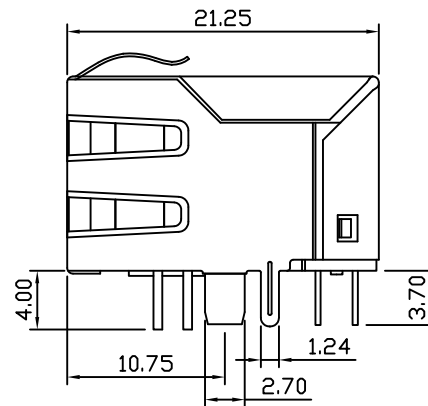
X:X ± 0.30	APPD:	LINK-PP INT'L TECHNOLOGY CO., LIMITED		
X:XX ± 0.25	CHKD:	TITLE: RJ45 Connector with 10/100 Base-T Integrated Magnetics		
X:XXX ± 0.05	DR: TOM	PART NO.: LPJ16617ADNL		
ANGLES $\pm 1^{\circ}$	UNIT: mm			
	SCALE: 2/1	SHEET: 1/2	REV: A	DWG NO.: LP11010533

Mechanical:

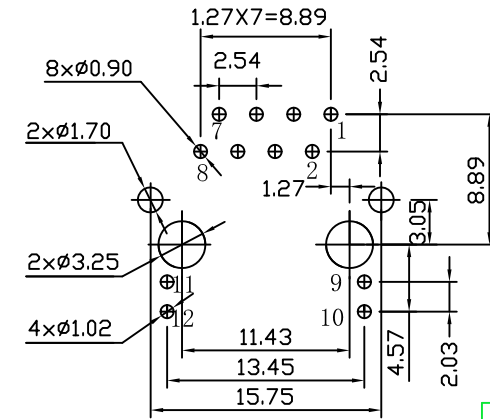
REV.	ECN NO.	DESCRIPTION	DATE	APPD
A	REL		2011-01-05	



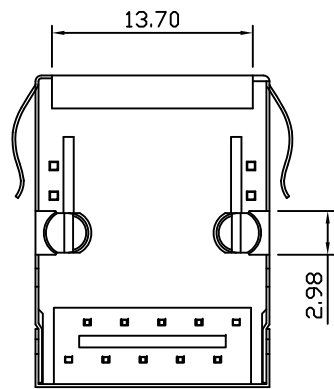
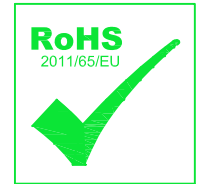
Front Side View



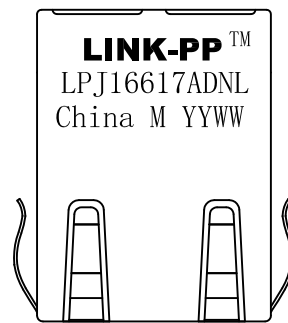
Left Side View



Suggested PCB Layout (Top View)



Bottom Side View



Top Side View

NOTES:

1. Designed to support application, such as SOHO (ADSL modems), LAN-on-Motherboard (LOM), hub and Switches.
2. Meets IEEE 802.3 specification
3. Connector Materials:
Housing: Thermoplastic PBT+30%G.F UL94V-0
Contact: Phosphor Bronze C5210R-EH Thickness=0.35mm
Pins: Brass C2680R-H Thickness=0.35mm
Shield: SUS 201-1/2H Thickness=0.2mm
Contact plating: Gold 6 micro-inches min. In contact area.
4. Wave solder tip temperature: 265°C Max, 5 Sec Max.

X:X ±0.30	APPD:	LINK-PP INT'L TECHNOLOGY CO., LIMITED		
X:XX ±0.25	CHKD:	TITLE: RJ45 Connector with 10/100 Base-T Integrated Magnetics		
X:XXX ±0.05	DR: TOM	PART NO.: LPJ16617ADNL		
ANGLES ±1°	UNIT: mm			
	SCALE: 2/1	SHEET: 2/2	REV: A	DWG NO.: LP11010533