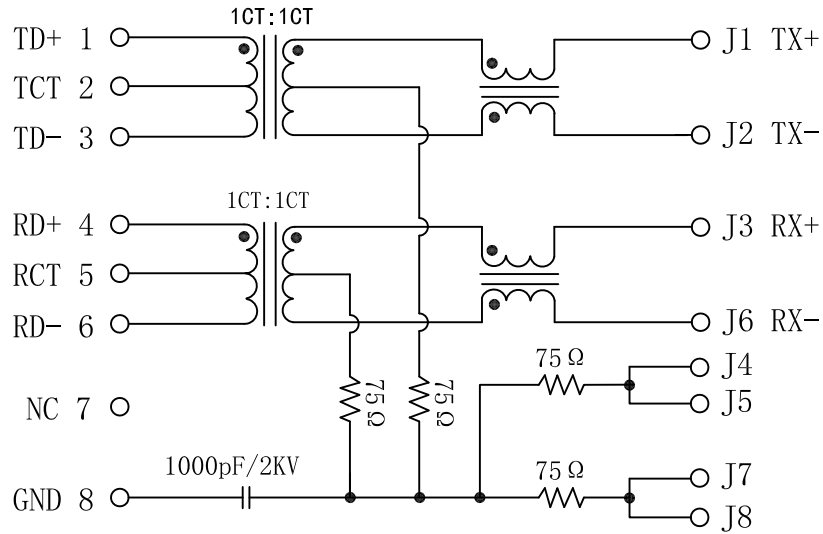


Schematic:

REV.	ECN NO.	DESCRIPTION	DATE	APPD
A	REL		2008-07-08	

PC BOARD CONNECTIONS



RJ45 CONNECTOR

Electrical Specification @25°C

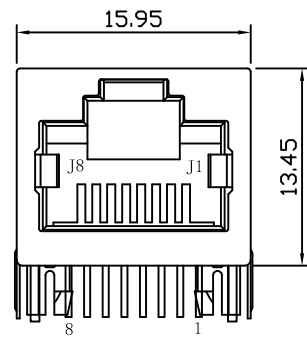
- Turns Ratio ($\pm 2\%$):
TX=1CT : 1CT RX=1CT : 1CT
- Inductance OCL: 350uH Min
@100KHz, 100mVrms, 8mA DC bias current
- Insertion Loss:
0.3-100MHz:-1.2dB Max
- Return Loss(dB Min, @100Ω):
1-30MHz:-16 40MHz:-14
50MHz:-13 60-80MHz:-10
- Crosstalk(dB Min):
30MHz:-40 60MHz:-36
100MHz:-30
- Common Mode Rejection(dB Min):
30MHz:-35 60MHz:-32
100MHz:-30
- Isolation Voltage: 1500Vrms
- Operating Temperature: -40°C ~ +85°C.



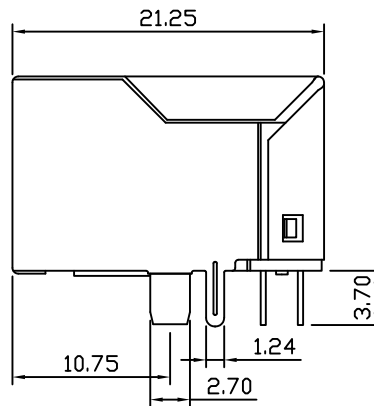
X:X	±0.30	APPD:	LINK-PP INT'L TECHNOLOGY CO., LIMITED	
X:XX	±0.25	CHKD:	TITLE: RJ45 Connector with 10/100 Base-T Integrated Magnetics	
X:XXX	±0.05	DR: TOM	PART NO.: LPJ16612DNL	
ANGLES	±1°	UNIT: mm		
	SCALE: 2/1	SHEET: 1/2	REV: A	DWG NO.: LP08070816

Mechanical:

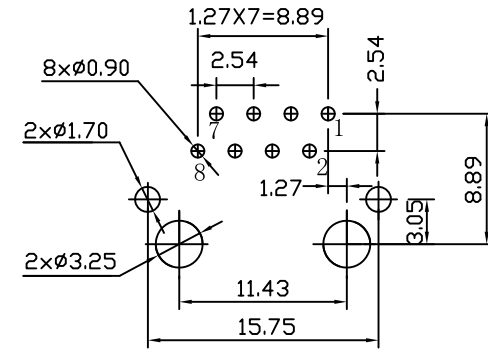
REV.	ECN NO.	DESCRIPTION	DATE	APPD
A	REL		2008-07-08	



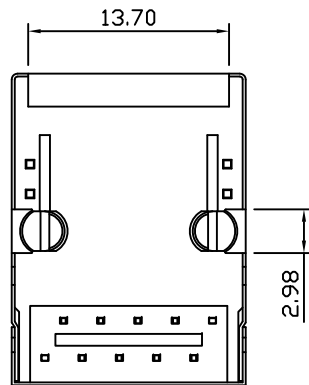
Front Side View



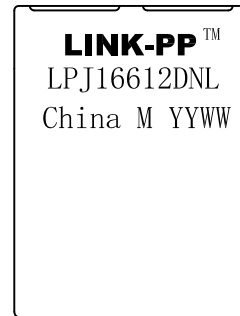
Left Side View



Suggested PCB Layout (Top View)



Bottom Side View



Top Side View

NOTES:

1. Designed to support application, such as SOHO (ADSL modems), LAN-on-Motherboard (LOM), hub and Switches.
2. Meets IEEE 802.3 specification
3. Connector Materials:
 Housing: Thermoplastic PBT+30%G. F UL94V-0
 Contact: Phosphor Bronze C5210R-EH Thickness=0.35mm
 Pins: Brass C2680R-H Thickness=0.35mm
 Shield: SUS 201-1/2H Thickness=0.2mm
 Contact plating: Gold 6 micro-inches min. In contact area.
4. Wave solder tip temperature: 265°C Max, 5 Sec.
5. UL Certification: File Number E484635.



X:X ±0.30	APPD:	LINK-PP INT'L TECHNOLOGY CO., LIMITED
X:XX ±0.25	CHKD:	
X:XXX ±0.05	DR: TOM	TITLE: RJ45 Connector with 10/100 Base-T Integrated Magnetics
ANGLES ±1°	UNIT: mm	PART NO.: LPJ16612DNL
	SCALE: 2/1	SHEET: 2/2
	REV: A	DWG NO.: LP08070816