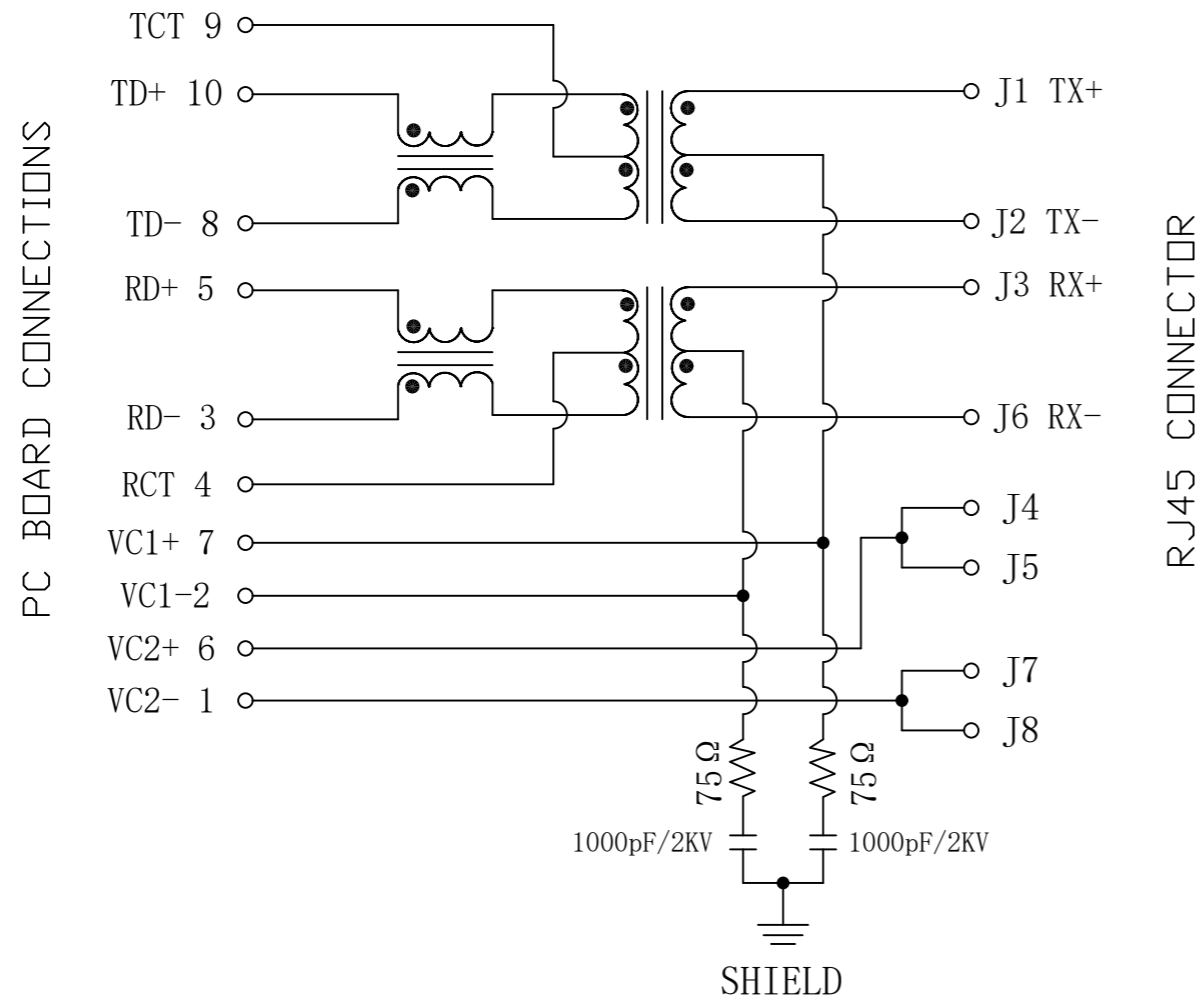


Schematic:

REV.	ECN NO.	DESCRIPTION	DATE	APPD
A	REL		2016-03-29	



ELECTRICAL SPECIFICATIONS @25°C

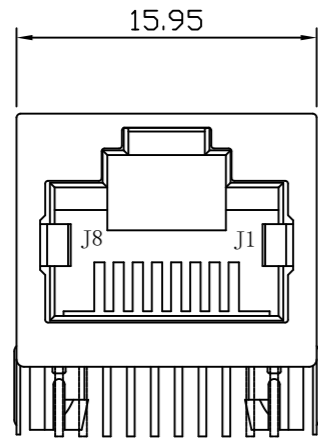
- Turn Ratio(±3%):
TX=1CT:1CT RX=1CT:1CT
- Inductance OCL:
350uH Min @ 100KHz 0.1V 8mA DC Bias
- DCR: 1.2Ω MAX
- Insertion Loss:
-1.1dB Max @0.5~100MHz
- Return Loss:
-18dB Min @0.5~30MHz
-15dB Min @30~60MHz
-12dB Min @60~80MHz
- Cross talk:
-35dB Min @0.5~40MHz
-30dB Min @40~100MHz
- CMRR:
-30dB Min @0.5~100MHz
- Balanced DC line current:
350mA Max@57VDC Continuous.
500mA Max@57VDC for 200 Milliseconds.
- Isolation PHY SIDE To Line SIDE : 1500Vrms
- Operating Temperature Range: 0°C~70°C.



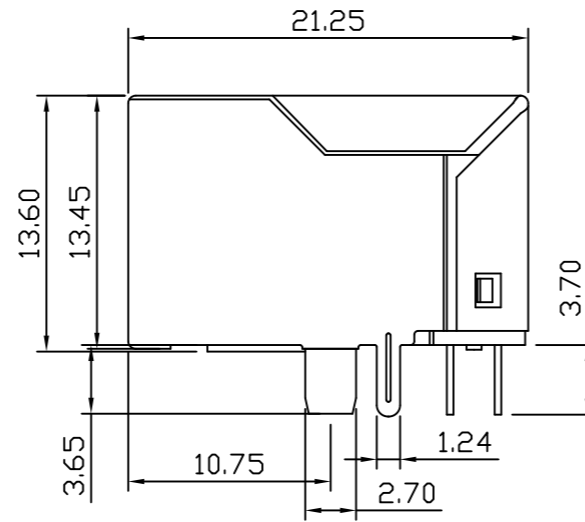
X:X ±0.30	APPD: TOM	LINK-PP INT'L TECHNOLOGY CO., LIMITED		
X:XX ±0.25	CHKD: JAMES			
X:XXX ±0.05	DR: LEO	TITLE: RJ45 Connector with 10/100 Base-T Integrated Magnetics For PoE Application		
ANGLES ±1°	UNIT: mm	PART NO. : LPJ16277DNL		
	SCALE: 2/1	SHEET: 1/2	REV: A	DWG NO. : LP16032901

Mechanical:

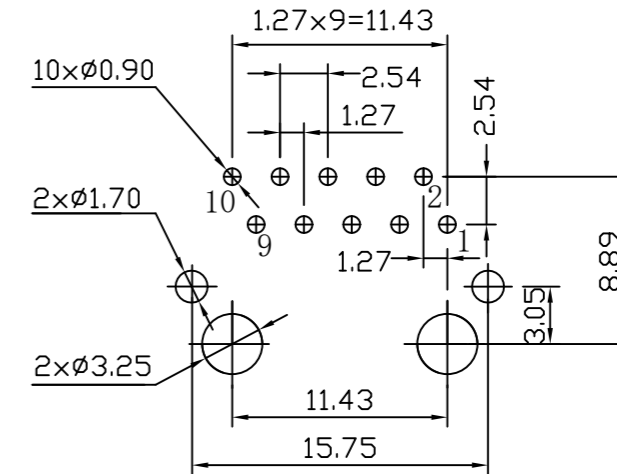
REV.	ECN NO.	DESCRIPTION	DATE	APPD
A	REL		2016-03-29	



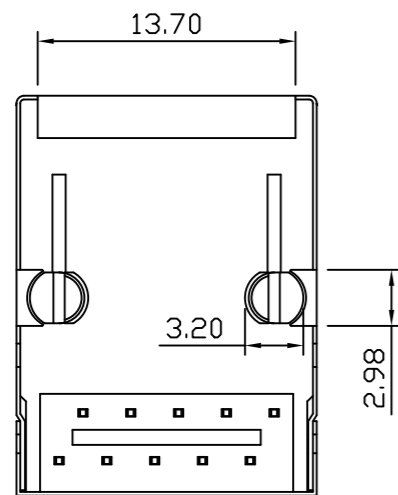
Front Side View



Left Side View



Suggested PCB Layout (Top View)



Bottom Side View



Top Side View

NOTES:

1. Designed to support application, such as SOHO (ADSL modems), LAN-on-Motherboard (LOM), hub and Switches.
2. Meets IEEE802.3af specification
3. Connector Materials:
 Housing: Thermoplastic PBT+30%G.F UL94V-0
 Contact: Phosphor Bronze C5210R-EH Thickness=0.35mm
 Pins: Brass C2680R-H Thickness=0.35mm
 Shield: SUS 304-1/2H Thickness=0.2mm
 Contact plating: Gold 6 micro-inches min. In contact area.
4. Wave solder tip temperature: 250°C, 5 Sec.
5. UL Certification: File Number E484635.



X:X ±0.30	APPD: TOM	LINK-PP INT'L TECHNOLOGY CO., LIMITED
X:XX ±0.25	CHKD: JAMES	
X:XXX ±0.05	DR: LEO	
ANGLES ±1°	UNIT: mm	TITLE: RJ45 Connector with 10/100 Base-T Integrated Magnetics For PoE Application
		PART NO.: LPJ16277DNL
	SCALE: 2/1	SHEET: 2/2
		REV: A
		DWG NO.: LP16032901