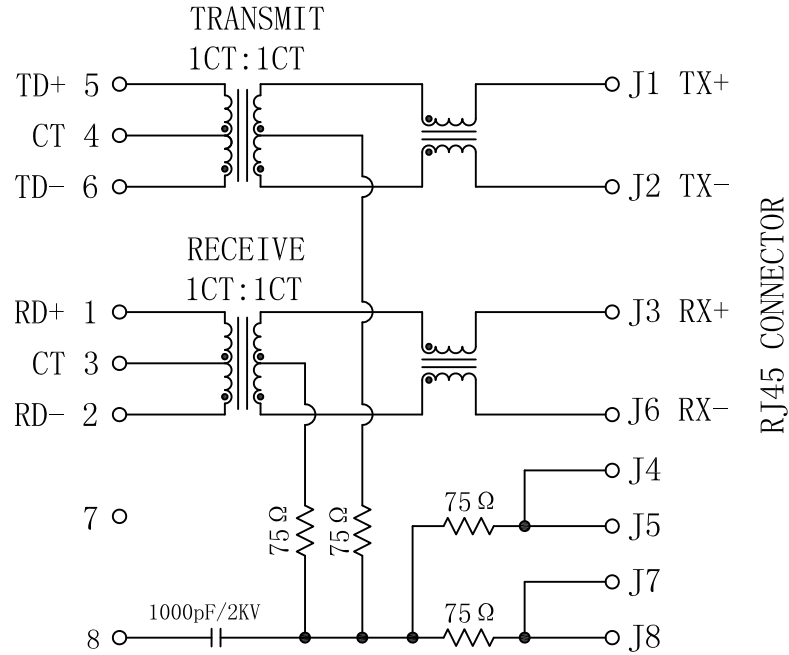


Schematic:

REV.	ECN NO.	DESCRIPTION	DATE	APPD
A	REL		2014-07-22	

PC BOARD CONNECTIONS



Electrical Specifications @25°C

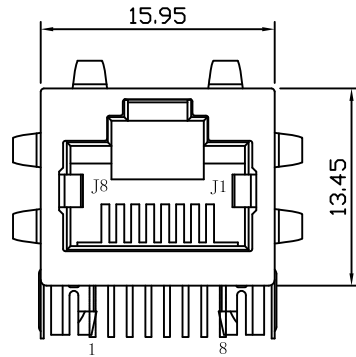
- Turns Ratio ($\pm 2\%$) :
TX=1CT:1CT RX=1CT:1CT
- Primary Inductance (1-2, 5-6) : 350uH Min
@100KHz, 0.1Vrms, 8mA DC bias
- Insertion Loss:
0.5-100MHz: -1.1dB Max
- Return Loss (dB Min) :
0.5-30MHz: -18;
30.1-60MHz: -18-20LOG (f/30)
60.1-80MHz: -12
- Crosstalk (dB Min) :
0.5-40MHz: -35
40.1-100MHz: -33-20LOG (f/50)
- Common Mode Rejection Ratio:
0.5-100MHz: -30dB Min
- Hipot Test: 1500Vrms
- Operating Temperature: 0°C ~ 70°C.



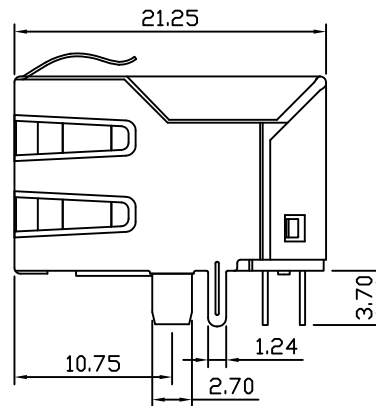
X:X	± 0.30	APPD:	LINK-PP INT'L TECHNOLOGY CO., LIMITED	
X:XX	± 0.25	CHKD:	TITLE: RJ45 Connector with 10/100 Base-T Integrated Magnetics	
X:XXX	± 0.05	DR: TOM	PART NO.: LPJ16264CNL	
ANGLES	$\pm 1^\circ$	UNIT: mm	DWG NO.: LP14072226	
	SCALE: 2/1	SHEET: 1/2	REV: A	

Mechanical:

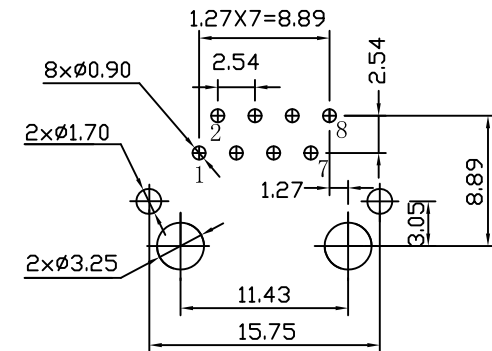
REV.	ECN NO.	DESCRIPTION	DATE	APPD
A	REL		2014-07-22	



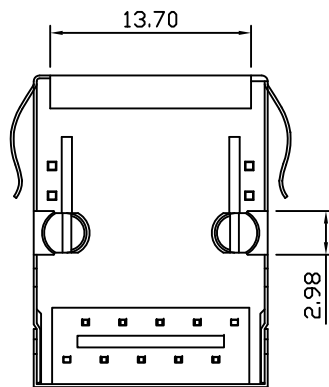
Front Side View



Left Side View



Suggested PCB Layout (Top View)



Bottom Side View



Top Side View

NOTES:

1. Designed to support application, such as SOHO (ADSL modems), LAN-on-Motherboard (LOM), hub and Switches.

2. Meets IEEE 802.3 specification

3. Connector Materials:

Housing: Thermoplastic PBT+30%G.F UL94V-0

Contact: Phosphor Bronze C5210R-EH Thickness=0.35mm

Pins: Brass C2680R-H Thickness=0.35mm

Shield: SUS 201-1/2H Thickness=0.2mm

Contact plating: Gold 6 micro-inches min. In contact area.

4. Wave solder tip temperature: 265°C Max

Wave solder tip temperature time: 5 Sec Max

X:X	±0.30	APPD:	LINK-PP INT'L TECHNOLOGY CO., LIMITED	
X:XX	±0.25	CHKD:	TITLE: RJ45 Connector with 10/100 Base-T Integrated Magnetics	
X:XXX	±0.05	DR: TOM	PART NO.: LPJ16264CNL	
ANGLES	±1°	UNIT: mm	DWG NO.: LP14072226	
	SCALE: 2/1	SHEET: 2/2	REV: A	