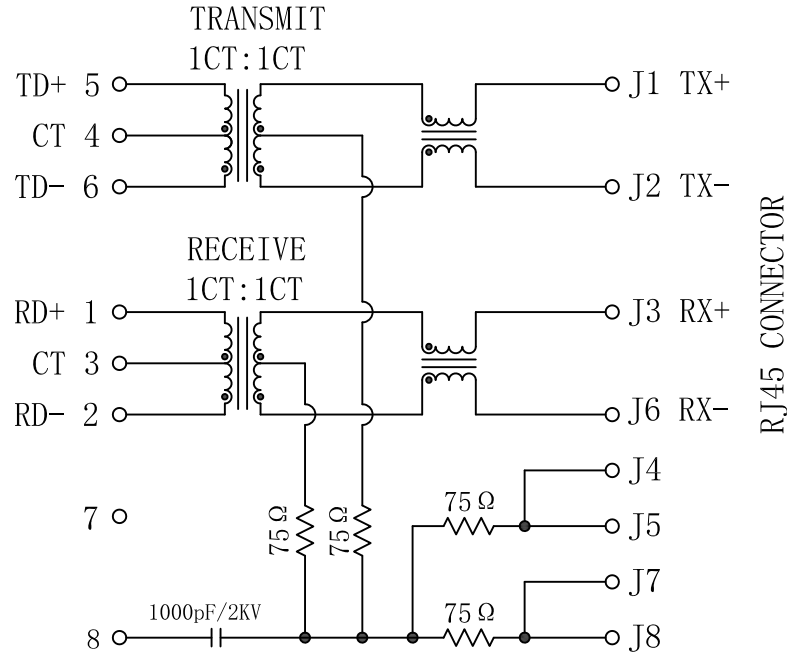


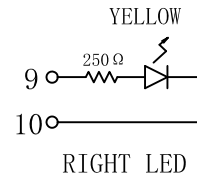
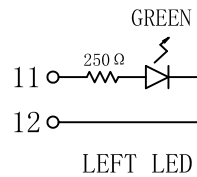
# Schematic:

| REV. | ECN NO. | DESCRIPTION | DATE       | APPD |
|------|---------|-------------|------------|------|
| A    | REL     |             | 2014-07-22 |      |

PC BOARD CONNECTIONS



RJ45 CONNECTOR



| Emitting Color | $\lambda$ p(nm) | VF@IF=20mA | IR @VR=5V      |
|----------------|-----------------|------------|----------------|
| GREEN          | 565             | 1.8~2.4V   | 10 $\mu$ A max |
| YELLOW         | 585             | 1.8~2.4V   | 10 $\mu$ A max |

## Electrical Specifications @25°C

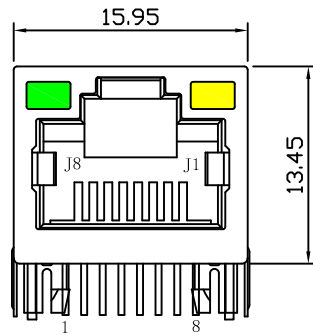
- Turns Ratio ( $\pm 2\%$ ) :  
TX=1CT:1CT      RX=1CT:1CT
- Primary Inductance(1-2, 5-6): 350uH Min  
@100KHz, 0.1Vrms, 8mA DC bias
- Insertion Loss:  
0.5-100MHz: -1.1dB Max
- Return Loss(dB Min) :  
0.5-30MHz:-18;  
30. 1-60MHz:-18-20LOG(f/30)  
60. 1-80MHz:-12
- Crosstalk(dB Min) :  
0.5-40MHz: -35  
40. 1-100MHz: -33-20LOG(f/50)
- Common Mode Rejection Ratio:  
0.5-100MHz: -30dB Min
- Hipot Test: 1500Vrms
- Operating Temperature: 0°C ~70°C.



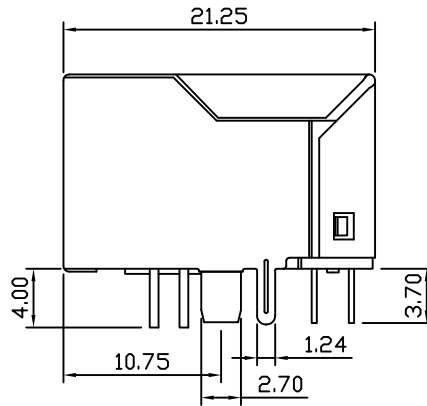
|        |               |            |   |        |
|--------|---------------|------------|---|--------|
| X:X    | $\pm 0.30$    | APPD:      | LINK-PP INT'L TECHNOLOGY CO., LIMITED                         |        |
| X:XX   | $\pm 0.25$    | CHKD:      | TITLE: RJ45 Connector with 10/100 Base-T Integrated Magnetics |        |
| X:XXX  | $\pm 0.05$    | DR: TOM    | PART NO. : LPJ16264B28NL                                      |        |
| ANGLES | $\pm 1^\circ$ | UNIT: mm   | DWG NO. : LP14072239  |        |
|        |               | SCALE: 2/1 | SHEET: 1/2  | REV: A |

# Mechanical:

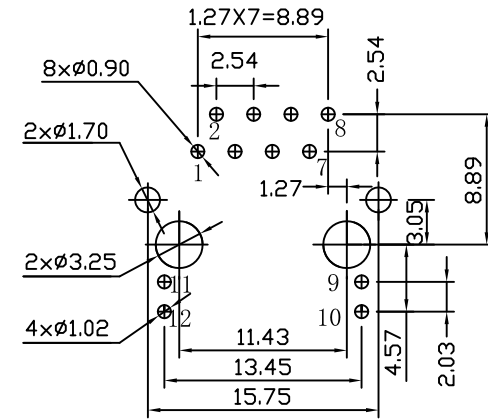
| REV. | ECN NO. | DESCRIPTION | DATE       | APPD |
|------|---------|-------------|------------|------|
| A    | REL     |             | 2014-07-22 |      |



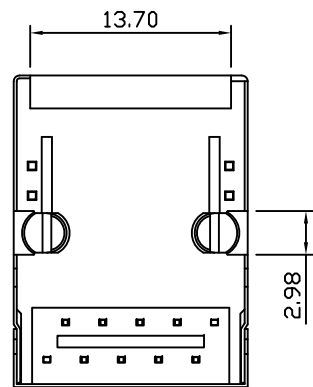
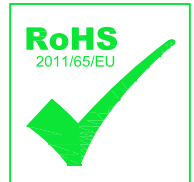
Front Side View



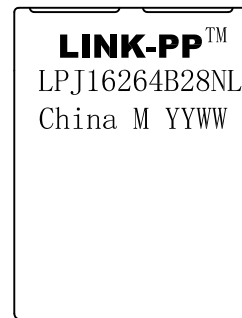
Left Side View



Suggested PCB Layout (Top View)



Bottom Side View



Top Side View

## NOTES:

1. Designed to support application, such as SOHO (ADSL modems), LAN-on-Motherboard (LOM), hub and Switches.
2. Meets IEEE 802.3 specification
3. Connector Materials:  
 Housing: Thermoplastic PBT+30%G. F UL94V-0  
 Contact: Phosphor Bronze C5210R-EH Thickness=0.35mm  
 Pins: Brass C2680R-H Thickness=0.35mm  
 Shield: SUS 201-1/2H Thickness=0.2mm  
 Contact plating: Gold 6 micro-inches min. In contact area.
4. Wave solder tip temperature: 265°C Max, 5 Sec.
5. UL Certification: File Number E484635.

|        |            |            |   |  |
|--------|------------|------------|---|--|
| X:X    | ±0.30      | APPD:      | LINK-PP INT'L TECHNOLOGY CO., LIMITED                         |  |
| X:XX   | ±0.25      | CHKD:      | TITLE: RJ45 Connector with 10/100 Base-T Integrated Magnetics |  |
| X:XXX  | ±0.05      | DR: TOM    | PART NO.: LPJ16264B28NL                                       |  |
| ANGLES | ±1°        | UNIT: mm   | DWG NO.: LP14072239   |  |
|        | SCALE: 2/1 | SHEET: 2/2 | REV: A  |  |