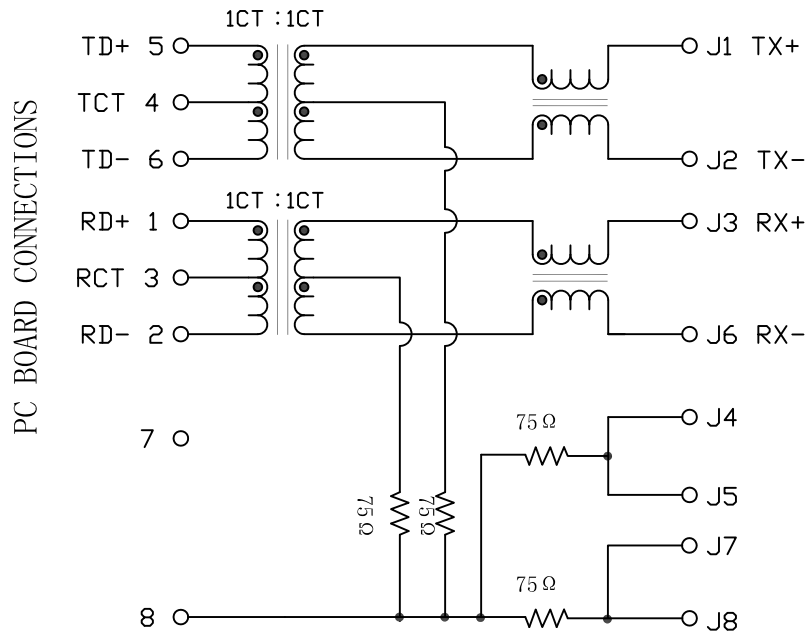


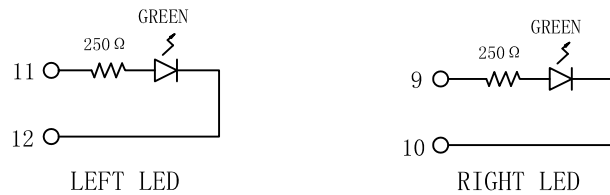
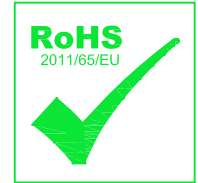
Schematic:

REV.	ECN NO.	DESCRIPTION	DATE	APPD
A	REL		2012-05-14	



Electrical Specifications @25°C

- Turns Ratio ($\pm 2\%$):
TX=1CT:1CT RX=1CT:1CT
- Primary Inductance(1-2, 5-6): 350uH min
@100KHz, 0.1Vrms, 8mA DC bias
- Insertion Loss:
0.5~100MHz: -1.1dB Max
- Return Loss(dB Min):
0.5~30MHz:-18;
30.1~60MHz:-18-20LOG(f/30)
60.1~80MHz:-12
- Crosstalk(dB Min):
0.5~40MHz: -35
40.1~100MHz: -33-20LOG(f/50)
- Common Mode Rejection Ratio:
0.5~100MHz: -30dB Min
- Hipot Test: 1500Vrms
- Operating Temperature: 0°C~70°C.

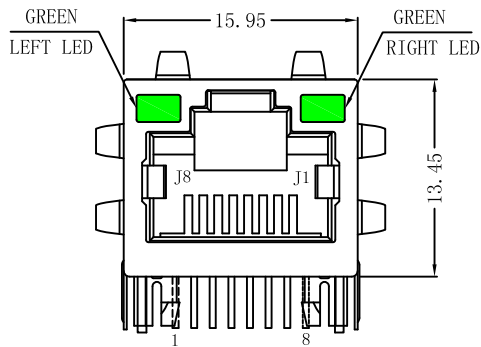


Emitting Color	λ_p (nm)	$V_F @ I_F=20mA$	$I_R @ V_R=5V$
GREEN	565	1.8~2.6V	10 μ A max

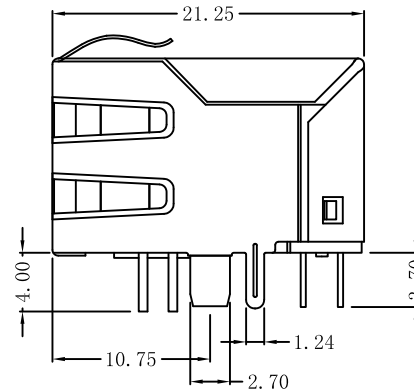
X:X	± 0.30	APPD:	LINK-PP INT'L TECHNOLOGY CO., LIMITED	
X:XX	± 0.25	CHKD:	TITLE: RJ45 Connector with 10/100 Base-T Integrated Magnetics	
X:XXX	± 0.05	DR: TOM		
ANGLES	$\pm 1^\circ$	UNIT: mm	PART NO.: LPJ16264-1AZNL	
	SCALE: 2/1	SHEET: 1/2	REV: A	DWG NO.: LP12051402

Mechanical:

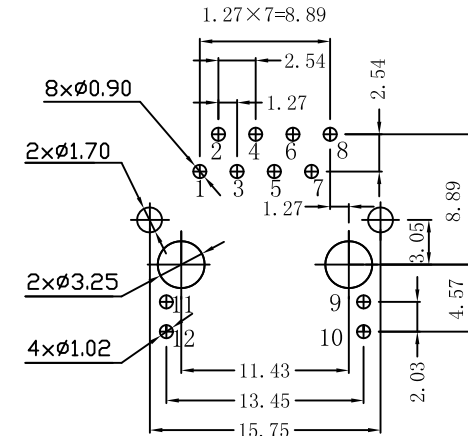
REV.	ECN NO.	DESCRIPTION	DATE	APPD
A	REL		2012-05-14	



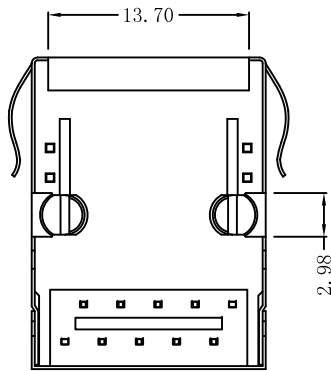
Front Side View



Left Side View



Suggested PCB Layout (Top View)



Bottom Side View



Top Side View

NOTES:

1. Designed to support application, such as SOHO (ADSL modems), LAN-on-Motherboard (LOM), hub and Switches.
2. Meets IEEE 802.3 specification
3. Connector Materials:
Housing: Thermoplastic PBT+30%G.F UL94V-0
Contact: Phosphor Bronze C5210R-EH Thickness=0.35mm
Pins: Brass C2680R-H Thickness=0.35mm
Shield: SUS 201-1/2H Thickness=0.2mm
Contact plating: Gold 6 micro-inches min. In contact area.
4. Wave solder tip temperature: 265°C Max, 5 Sec.
5. UL Certification: File Number E484635.

X:X ±0.30	APPD:	LINK-PP INT'L TECHNOLOGY CO., LIMITED
X:XX ±0.25	CHKD:	
X:XXX ±0.05	DR: TOM	TITLE: RJ45 Connector with 10/100 Base-T Integrated Magnetics
ANGLES ±1°	UNIT: mm	PART NO.: LPJ16264-1AZNL
	SCALE: 2/1	SHEET: 2/2
	REV: A	DWG NO.: LP12051402