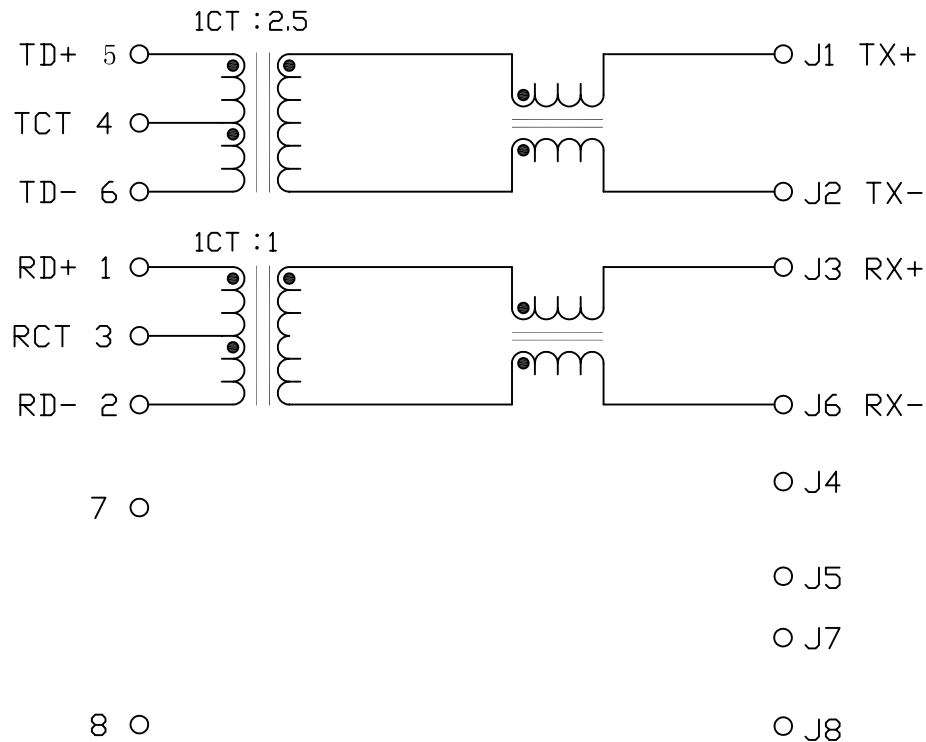


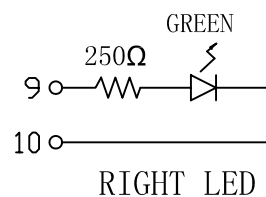
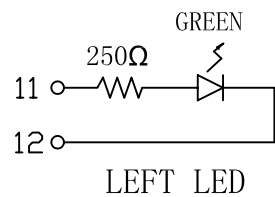
Schematic:

REV.	ECN NO.	DESCRIPTION	DATE	APPD
A	REL		2013/06/07	



Electrical Specifications @25°C

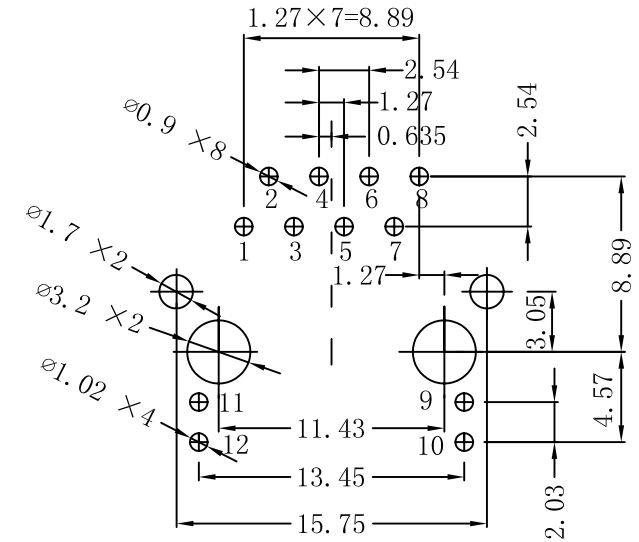
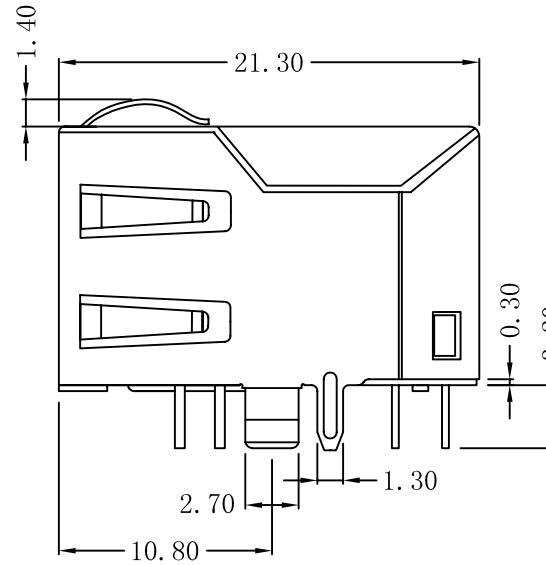
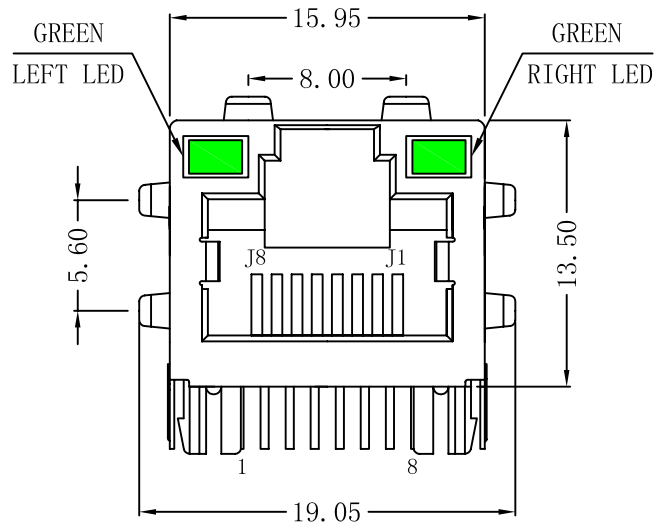
- Turns Ratio ($\pm 2\%$) :
TX=1CT:2.5 RX=1CT:1
- OCL: 140uH MIN (100KHz/0.1V)
- LL: 0.3uH MAX (100KHz/0.1V)
- CWW: 15pF TYP (100KHz/0.1V)
- Isolation Voltage: 1500Vrms
- Operating Temperature: 0°C ~ 70°C



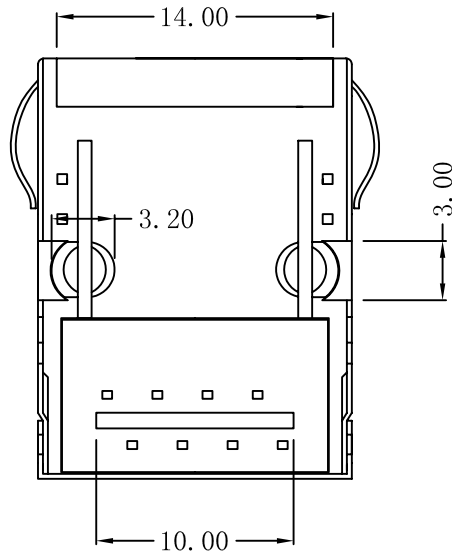
X:X	± 0.20	APPD:	LINK-PP INT'L TECHNOLOGY CO., LIMITED
X:XX	± 0.10	CHKD:	
X:XXX	± 0.05	DR: TOM	TITLE: RJ45 Connector With 10/100 Base-TX Integrated Magnetic TAB-UP
ANGLES	$\pm 1^\circ$	UNIT: mm	PART NO. : LPJ16251AZNL
	SCALE: 2/1	SHEET: 1/2	REV: A DWG NO: LP13060702

Mechanical :

REV.	ECN NO.	DESCRIPTION	DATE	APPD
A	REL		2013/06/07	



SUGGESTED PCB LAYOUT(TOP VIEW)



NOTES:

1. Designed to support application, such as SOHO (ADSL modems), LAN-on-Motherboard (LOM), hub and Switches.
2. Meets IEEE 802.3 specification
3. Connector Materials:
 Housing: Thermoplastic UL94V-0
 Contact/Shield: Copper alloy
 Shield plating: Nickel
 Contact plating: Gold 6 micro-inches min. In contact area.
4. Wave solder tip temperature: 265°C Max
 Wave solder tip temperature time: 5 Sec Max



X:X	±0.20	APPD:	LINK-PP INT'L TECHNOLOGY CO., LIMITED	
X:XX	±0.10	CHKD:	TITLE: RJ45 Connector With 10/100 Base-TX Integrated Magnetic TAB-UP	
X:XXX	±0.05	DR: TOM	PART NO.: LPJ16251AZNL	
ANGLES	±1°	UNIT: mm	DWG NO: LP13060702	
SCALE: 2/1		SHEET: 2/2		REV: A