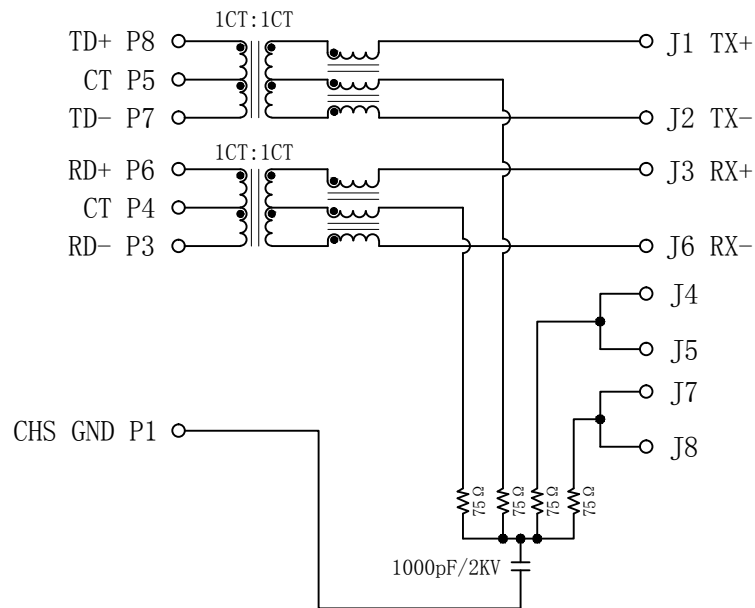


Schematic:

REV.	ECN NO.	DESCRIPTION	DATE	APPD
A	REL		2022-06-08	

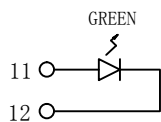
PC BOARD CONNECTIONS



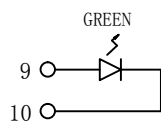
RJ45 CONNECTOR

Electrical Specifications @25°C

- Turns Ratio(±2%):
TX=1CT : 1CT RX=1CT : 1CT
- Inductance: 350uH Min
@100KHz, 100mVrms, 8mA DC Bias
- Insertion Loss:
1~100MHz:-1.0dB Max
- Return Loss(dB Min):
1~30MHz:-18 30~60MHz:-13.5
60~80MHz:-12
- Crosstalk(dB Min):
1~100MHz:-30
- Common Mode Rejection(dB Min):
1~100MHz:-30
- Hipot: 1500Vrms
- Operating Temperature: 0°C~70°C.



LEFT LED



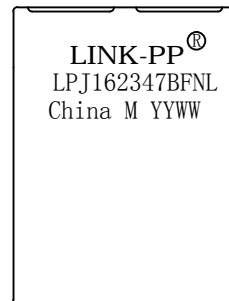
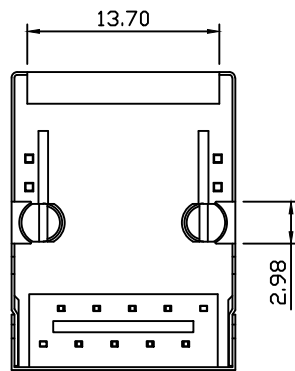
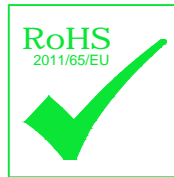
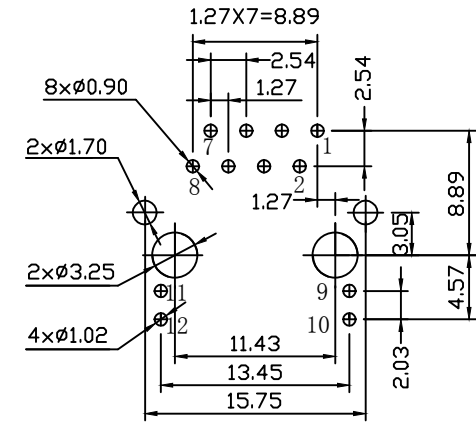
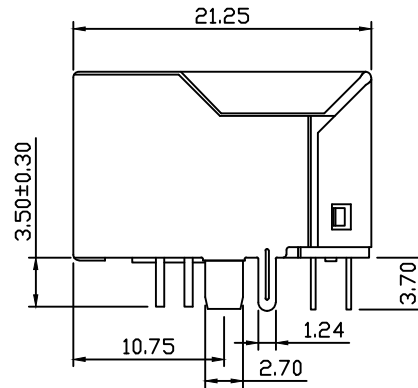
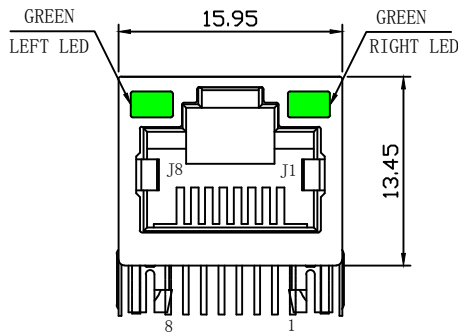
RIGHT LED

Emitting Color	λp(nm)	VF@IF=20mA	IR @VR=5V
GREEN	565	1.8~2.6V	10 μA max

X:X ±0.30	APPD:	LINK-PP INT'L TECHNOLOGY CO., LIMITED
X:XX ±0.25	CHKD:	
X:XXX ±0.05	DR: TOM	TITLE: RJ45 Connector with 10/100 Base-T Integrated Magnetics
ANGLES ±1°	UNIT: mm	PART NO.: LPJ162347BFNL
	SCALE: 2/1	SHEET: 1/2
	REV: A	DWG NO.: LP22060815

Mechanical:

REV.	ECN NO.	DESCRIPTION	DATE	APPD
A	REL		2022-06-08	



NOTES:

1. Designed to support application, such as SOHO (ADSL modems), LAN-on-Motherboard (LOM), hub and Switches.
2. Meets IEEE 802.3 specification
3. Connector Materials:
Housing: Thermoplastic PBT+30%G.F UL94V-0
Contact: Phosphor Bronze C5210R-EH Thickness=0.35mm
Pins: Brass C2680R-H Thickness=0.35mm
Shield: SUS 201-1/2H Thickness=0.2mm
Contact plating: Gold 6 micro-inches min. In contact area.
4. Wave solder tip temperature: 250°C, 5 Sec.
5. UL Certification: File Number E484635.

X:X ±0.30	APPD:	LINK-PP INT'L TECHNOLOGY CO., LIMITED
X:XX ±0.25	CHKD:	
X:XXX ±0.05	DR: TOM	TITLE: RJ45 Connector with 10/100 Base-T Integrated Magnetics
ANGLES ±1°	UNIT: mm	PART NO.: LPJ162347BFNL
	SCALE: 2/1	SHEET: 2/2
	REV: A	DWG NO.: LP22060815