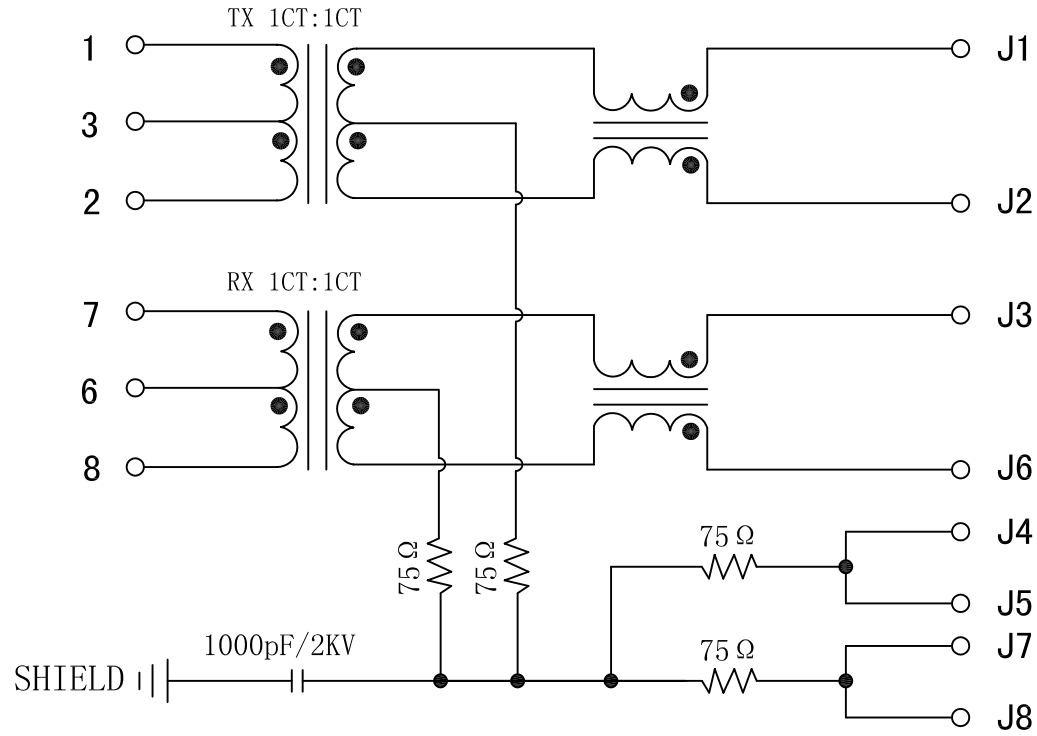


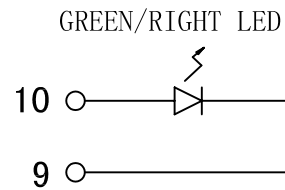
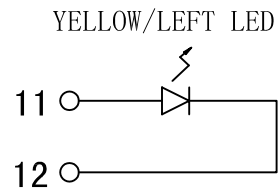
Schematic:

| REV. | ECN NO. | DESCRIPTION | DATE | APPD |
|------|---------|-------------|------------|------|
| A | REL | | 2012/06/22 | |



Electrical Specification @25°C

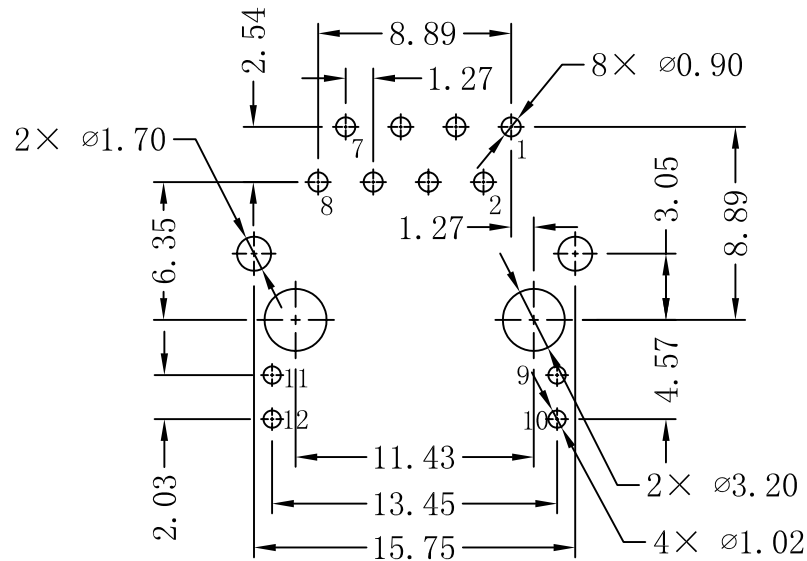
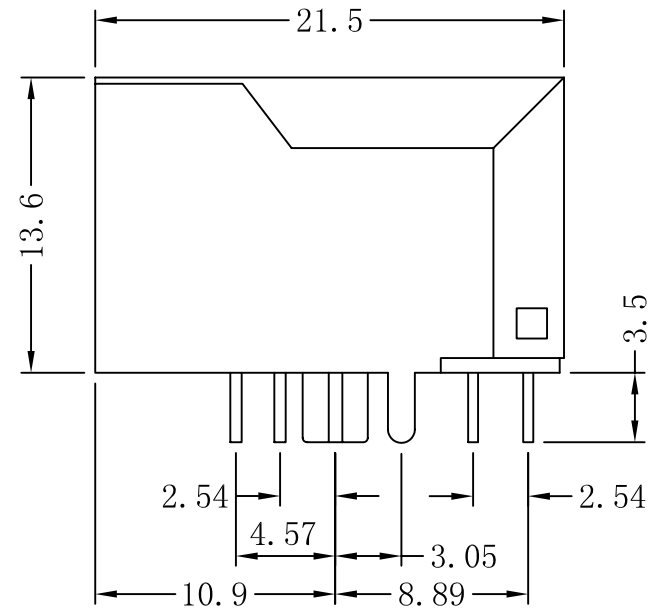
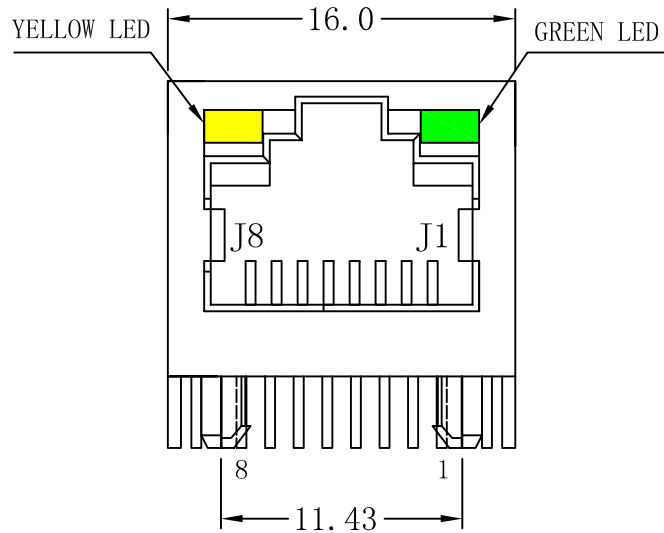
- Turns Ratio ($\pm 2\%$):
TX=1CT:1CT RX=1CT:1CT
- Inductance OCL: 350uH Min
@100KHz 0.1Vrms 8mADC bias current
- Insertion Loss:
0.3-65MHz:-1.2dB Max
- Return Loss(dB Min):
1-30MHz:-18 40MHz:-16
50MHz:-14 60-80MHz:-12
- Crosstalk:
0.3-80MHz:-30dB Min
- Common Mode Rejection:
1-150MHz:-50dB Min
- Isolation Voltage: 1500Vrms
- Operating Temperature: 0°C~70°C.



| | | | |
|--------|---------------|------------|---------------------------------------|
| X:X | ± 0.25 | APPD: | LINK-PP INT'L TECHNOLOGY CO., LIMITED |
| X:XX | ± 0.10 | CHKD: | |
| X:XXX | ± 0.05 | DR: TOM | |
| ANGLES | $\pm 1^\circ$ | UNIT: mm | PART NO. : LPJ16217B10NL |
| | SCALE: 2/1 | SHEET: 1/2 | REV: A DWG NO: LP12062202 |

Mechanical:

| REV. | ECN NO. | DESCRIPTION | DATE | APPD |
|------|---------|-------------|------------|------|
| A | REL | | 2012/06/22 | |



SUGGESTED PCB LAYOUT (TOP VIEW)



NOTES:

1. Designed to support application, such as SOHO (ADSL modems), LAN-on-Motherboard (LOM), hub and Switches.
2. Meets IEEE 802.3 specification
3. Connector Materials:
Housing: Thermoplastic UL94V-0
Contact/Shield: Copper alloy
Shield plating: Nickel
Contact plating: Gold 6 micro-inches min. In contact area.
4. Wave solder tip temperature: 265°C Max
Wave solder tip temperature time: 5 Sec Max

| | | | |
|--------|------------|------------|--|
| X:X | ±0.25 | APPD: | LINK-PP INT'L TECHNOLOGY CO., LIMITED |
| X:XX | ±0.10 | CHKD: | |
| X:XXX | ±0.05 | DR: TOM | TITLE: RJ45 Connector With 10/100 Base-TX Integrated Magnetic TAB-UP |
| ANGLES | ±1° | UNIT: mm | PART NO.: LPJ16217B10NL |
| | SCALE: 2/1 | SHEET: 2/2 | REV: A DWG NO: LP12062202 |