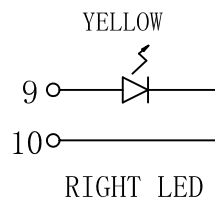
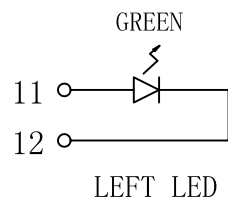
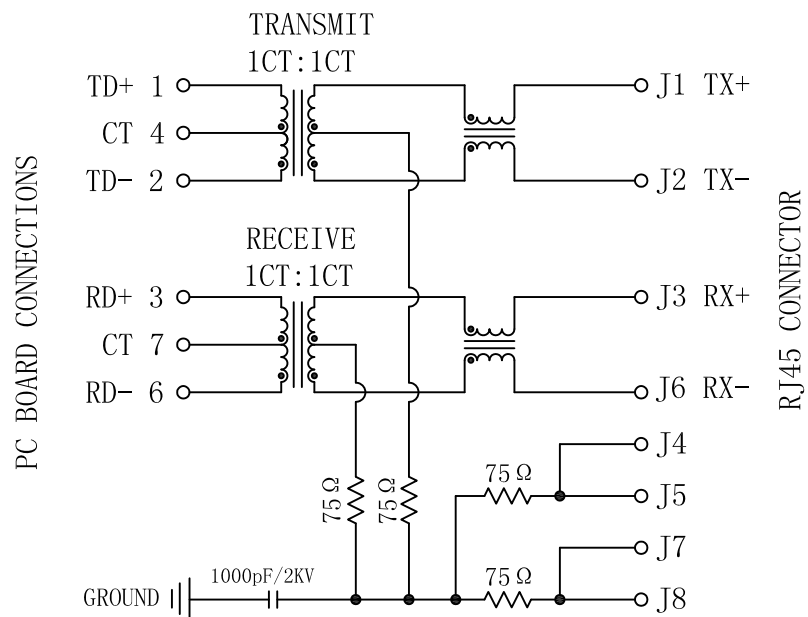


Schematic:

REV.	ECN NO.	DESCRIPTION	DATE	APPD
A	REL		2014/01/13	



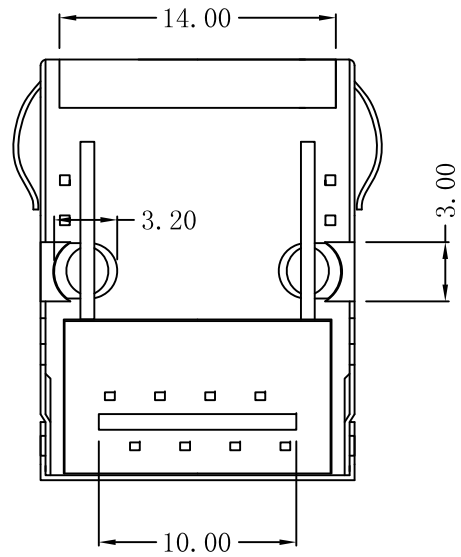
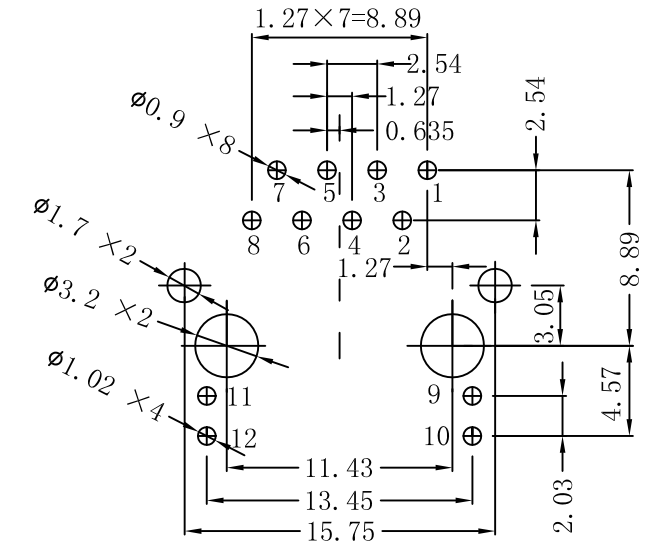
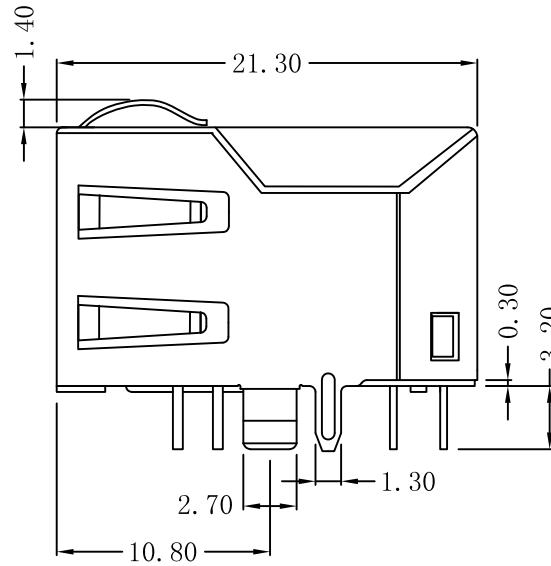
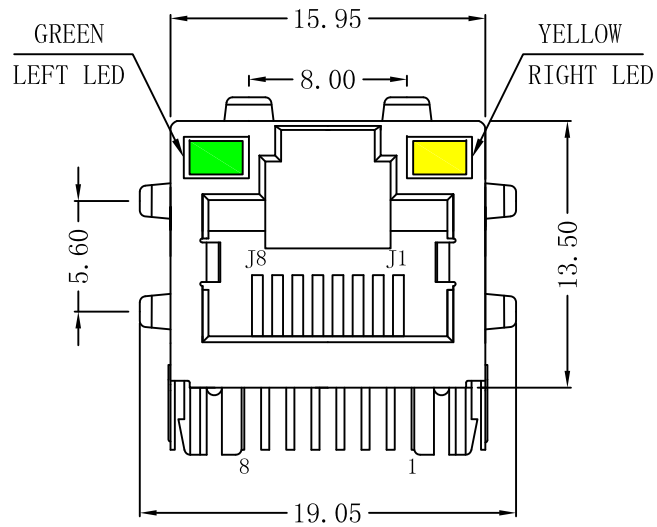
Electrical Specifications @25°C

- Turns Ratio ($\pm 2\%$) :
TX=1CT:1CT RX=1CT:1CT
- Primary Inductance (P1-P2, P3-P6): 350uH Min @100KHz, 0.1Vrms, 8mA DC bias
- Insertion Loss:
0.3-100MHz: -1.2dB Max
- Return Loss (dB Min):
1-30MHz: -16; 40MHz: -14
50MHz: -13 60-80MHz: -12
- Crosstalk (dB Min):
0.3-30MHz: -40 30-60MHz: -35
60-100MHz: -30
- Common Mode Rejection (dB Min):
1-50MHz: -30 50-150MHz: -20
- Hipot Test: 1500Vrms
- Operating Temperature: 0°C ~ 70°C.

X:X	± 0.20	APPD:	LINK-PP INT'L TECHNOLOGY CO., LIMITED	
X:XX	± 0.10	CHKD:	TITLE: RJ45 Connector With 10/100 Base-TX Integrated Magnetic TAB-UP	
X:XXX	± 0.05	DR: TOM	PART NO.: LPJ16214AENL	
ANGLES	$\pm 1^\circ$	UNIT: mm		
	SCALE: 2/1	SHEET: 1/2	REV: A	DWG NO: LP14011308

Mechanical:

REV.	ECN NO.	DESCRIPTION	DATE	APPD
A	REL		2014/01/13	



NOTES:

1. Designed to support application, such as SOHO (ADSL modems), LAN-on-Motherboard (LOM), hub and Switches.
2. Meets IEEE 802.3 specification
3. Connector Materials:
 Housing: Thermoplastic UL94V-0
 Contact/Shield: Copper alloy
 Shield plating: Nickel
 Contact plating: Gold 6 micro-inches min. In contact area.
4. Wave solder tip temperature: 265°C MAX
 Wave solder tip temperature time: 5 Sec MAX.



X:X	±0.20	APPD:	LINK-PP INT'L TECHNOLOGY CO., LIMITED
X:XX	±0.10	CHKD:	
X:XXX	±0.05	DR: TOM	TITLE: RJ45 Connector With 10/100 Base-TX Integrated Magnetic TAB-UP
ANGLES	±1°	UNIT: mm	PART NO.: LPJ16214AENL
	SCALE: 2/1	SHEET: 2/2	REV: A DWG NO: LP14011308