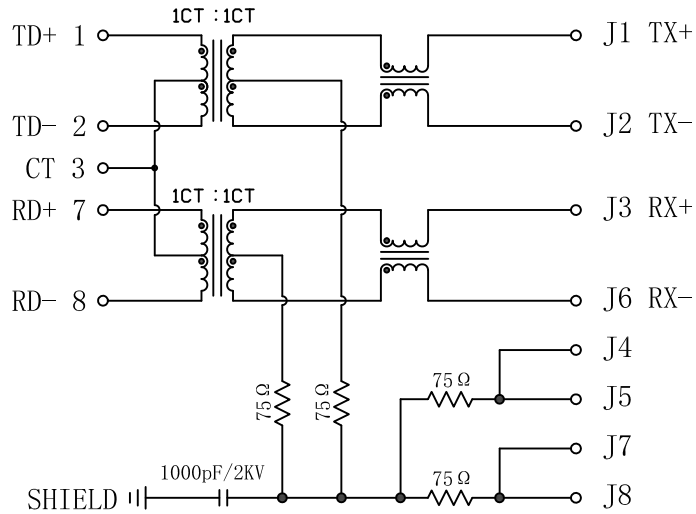


# Schematic:

REV.	ECN NO.	DESCRIPTION	DATE	APPD
A	REL		2011-01-05	

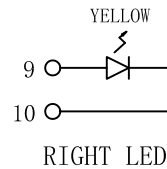
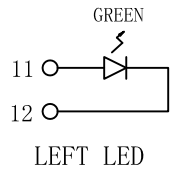
PC BOARD CONNECTIONS



RJ45 CONNECTOR

## Electrical Specifications @25°C

- Turns Ratio ( $\pm 2\%$ ):  
TX=1CT:1CT      RX=1CT:1CT
- Inductance OCL: 350uH Min  
@100KHz, 100mV, 8mA bias current
- Insertion Loss:  
0.3-65MHz:-1.2dB Max
- Return Loss(dB Min):  
1-30MHz:-18      40MHz:-16  
50MHz:-14      60-80MHz:-12
- Crosstalk:  
0.3-80MHz:-30dB Min
- Common Mode Rejection:  
1-100MHz:-30dB Min
- Isolation Voltage: 1500Vrms Min
- Operating Temperature: 0°C ~ 70°C.

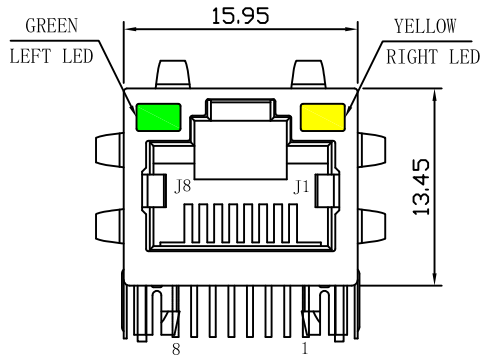


Emitting Color	$\lambda$ p(nm)	VF@IF=20mA	IR @VR=5V
GREEN	565	1.8~2.6V	10 $\mu$ A max
YELLOW	585	1.8~2.6V	10 $\mu$ A max

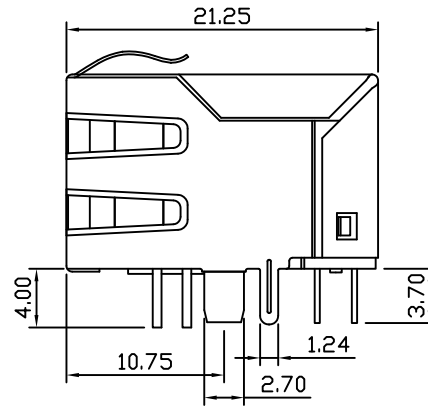
X:X	$\pm 0.30$	APPD:	LINK-PP INT'L TECHNOLOGY CO., LIMITED
X:XX	$\pm 0.25$	CHKD:	
X:XXX	$\pm 0.05$	DR: TOM	TITLE: RJ45 Connector with 10/100 Base-T Integrated Magnetics
ANGLES	$\pm 1^\circ$	UNIT: mm	PART NO.: LPJ16213AENL
	SCALE: 2/1	SHEET: 2/2	REV: A      DWG NO.: LP11010520

# Mechanical:

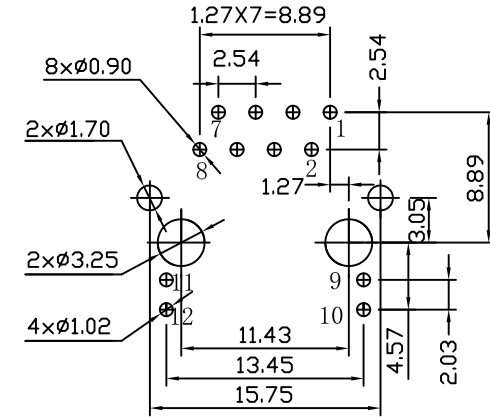
REV.	ECN NO.	DESCRIPTION	DATE	APPD
A	REL		2011-01-05	



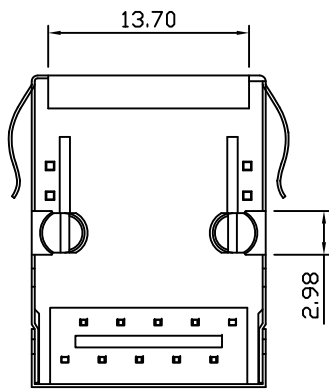
Front Side View



Left Side View



Suggested PCB Layout (Top View)



Bottom Side View



Top Side View

## NOTES:

1. Designed to support application, such as SOHO (ADSL modems), LAN-on-Motherboard (LOM), hub and Switches.
2. Meets IEEE 802.3 specification
3. Connector Materials:  
 Housing: Thermoplastic PBT+30%G.F UL94V-0  
 Contact: Phosphor Bronze C5210R-EH Thickness=0.35mm  
 Pins: Brass C2680R-H Thickness=0.35mm  
 Shield: SUS 201-1/2H Thickness=0.2mm  
 Contact plating: Gold 6 micro-inches min. In contact area.
4. Wave solder tip temperature: 265°C Max, 5 Sec.
5. UL Certification: File Number E484635.

X:X	±0.30	APPD:	LINK-PP INT'L TECHNOLOGY CO., LIMITED	
X:XX	±0.25	CHKD:	TITLE: RJ45 Connector with 10/100 Base-T Integrated Magnetics	
X:XXX	±0.05	DR: TOM	PART NO.: LPJ16213AENL	
ANGLES	±1°	UNIT: mm	DWG NO.: LP11010520	
	SCALE: 2/1	SHEET: 2/2	REV: A	