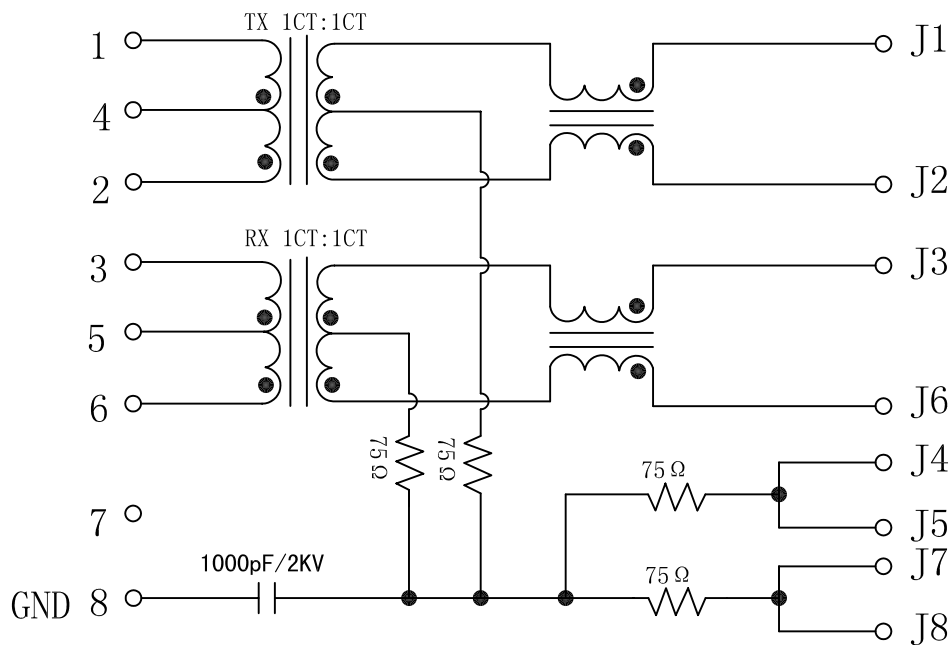


Schematic:

REV.	ECN NO.	DESCRIPTION	DATE	APPD
A	REL		19/09/2008	

PCB SIDE



CABLE SIDE

Electrical Specifications @25°C

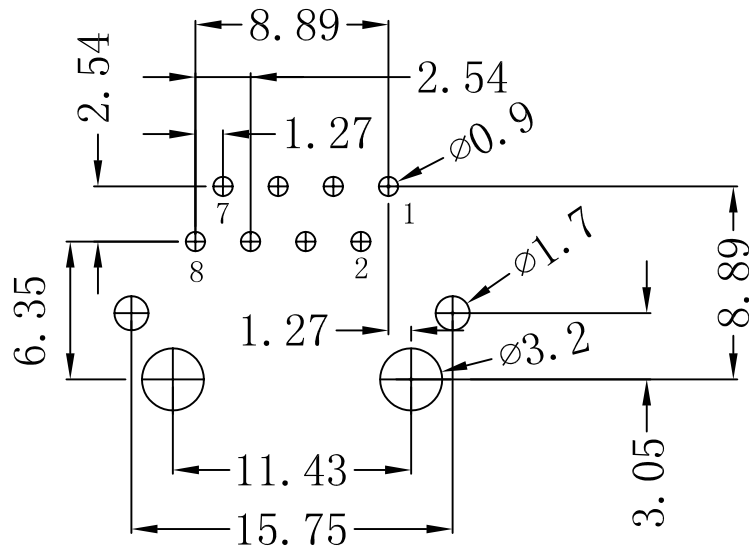
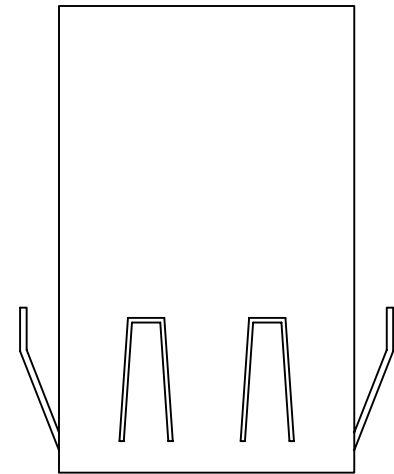
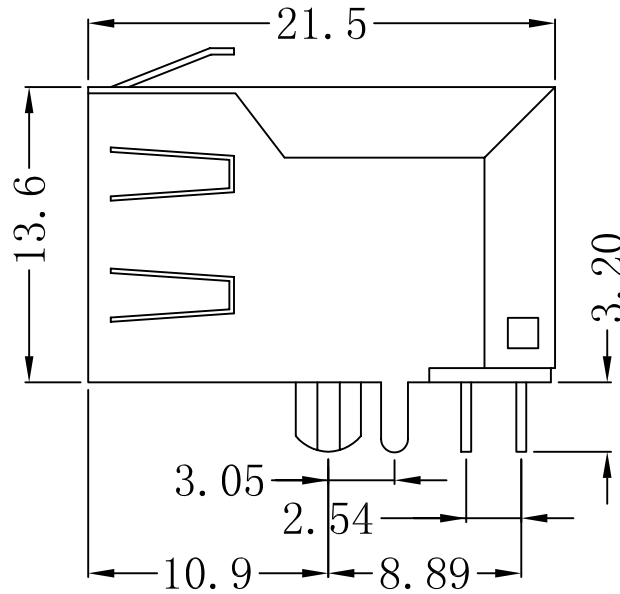
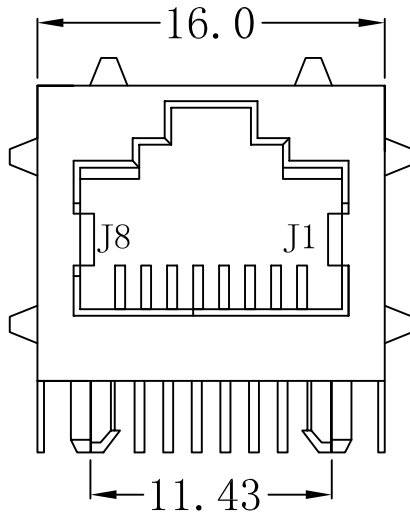
- Turns Ratio ($\pm 2\%$) :
TX=1CT:1CT RX=1CT:1CT
- 0CL: 350uH Min
@ 100KHz 100mV 8mA DC
- Return Loss(dB Min) :
1-30MHz:-16 40MHz:-14
50MHz:-13 60-80MHz:-12
- Crosstalk(dB Min) :
0.3-30MHz:-40 30-60MHz:-35
60-100MHz:-30
- Insertion Loss:
0.3-100MHz:-1.2dB Max
- CMR(dB Min) :
1-50MHz:-30 50-150MHz:-20
- Isolation Voltage:1500V
- Operating Temperature:0~70°C



X:X	± 0.20	APPD:	LINK-PP INT'L TECHNOLOGY CO., LIMITED	
X:XX	± 0.10	CHKD:	Title: RJ45 Connector With 10/100 Base-TX Integrated Magnetic	
X:XXX	± 0.05	DR: TOM		
ANGLES	$\pm 1^\circ$	UNIT: mm	PART NO. :	LPJ16211CNL
	SCALE: 2/1	SHEET: 2/2	REV: A	DWG: LP08091904

Mechanical:

REV.	ECN NO.	DESCRIPTION	DATE	APPD
A	REL		19/09/2008	



SUGGESTED PCB LAYOUT (TOP VIEW)

NOTES:

1. Designed to support application, such as SOHO (ADSL modems), LAN-on-Motherboard (LOM), hub and Switches.
2. Meets IEEE 802.3 specification
3. Connector Materials:
Housing: Thermoplastic UL94V-0
Contact/Shield: Copper alloy
Shield plating: Nickel
Contact plating: Gold 6 micro-inches min. In contact area.
4. Wave solder tip temperature: 265°C Max
Wave solder tip temperature time: 5 Sec Max



X:X ±0.20	APPD:	LINK-PP INT'L TECHNOLOGY CO., LIMITED		
X:XX ±0.10	CHKD:			
X:XXX ±0.05	DR: TOM	Title: RJ45 Connector With 10/100 Base-TX Integrated Magnetic		
ANGLES ±1°	UNIT: mm	PART NO.: LPJ16211CNL		
	SCALE: 2/1	SHEET: 1/2	REV: A	DWG: LP08091904