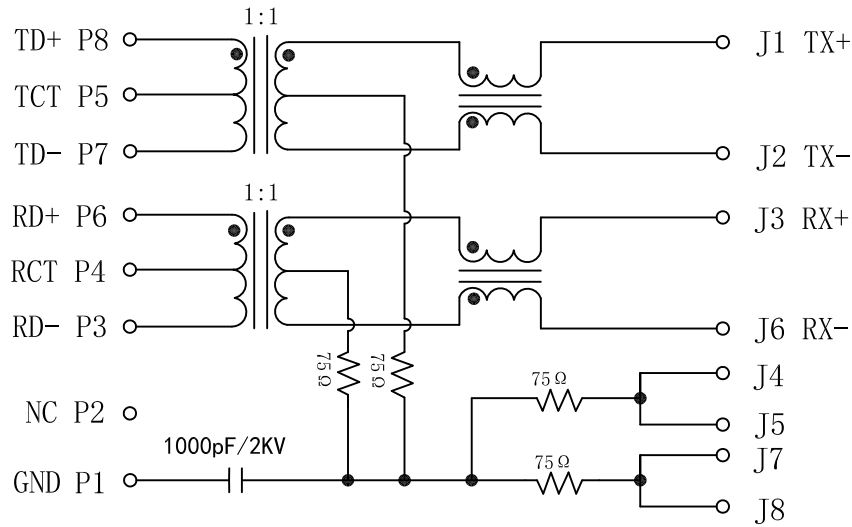


Schematic:

REV.	ECN NO.	DESCRIPTION	DATE	APPD
A	REL		2010-12-04	

PC BOARD CONNECTIONS



RJ45 CONNECTOR

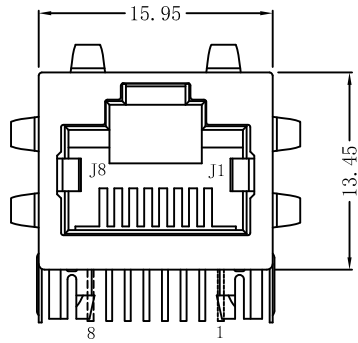
Electrical Specifications @25°C

- Turns Ratio ($\pm 2\%$) :
TX=1CT:1CT RX=1CT:1CT
- OCL (@100KHz, 0.1V, 8mA DC BIAS) :
350uH Min
- Insertion Loss:
1~100MHz:-1.0dB Max
- Return Loss:
1~30MHz:-18dB Min. load 100 Ω
30~60MHz:-16dB Min. load 100 Ω
60~80MHz:-12dB Min. load 100 Ω
- Common Mode Rejection:
1~100MHz:-30dB Min
- Cross Talk:
1~100MHz:-30dB Min
- HiPot Test: 1500Vac 60Sec
- Operating Temperature: 0~70°C

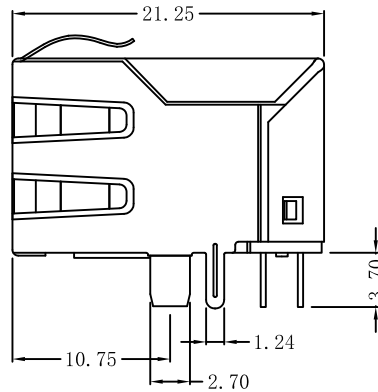
X:X	± 0.30	APPD:	LINK-PP INT'L TECHNOLOGY CO., LIMITED	
X:XX	± 0.25	CHKD:	TITLE: RJ45 Connector with 10/100 Base-T Integrated Magnetics	
X:XXX	± 0.05	DR: TOM	PART NO. : LPJ16208CYNL	
ANGLES	$\pm 1^\circ$	UNIT: mm	DWG NO. : LP10120419	
	SCALE: 2/1	SHEET: 1/2	REV: A	

Mechanical:

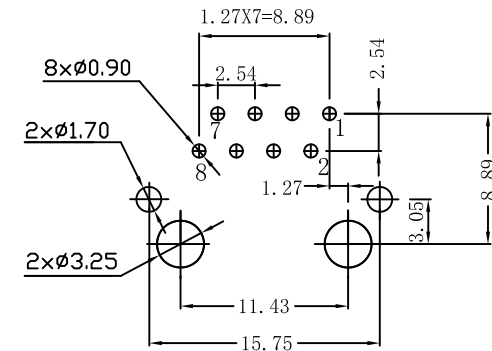
REV.	ECN NO.	DESCRIPTION	DATE	APPD
A	REL		2010-12-04	



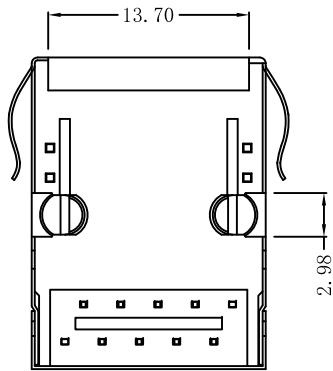
Front Side View



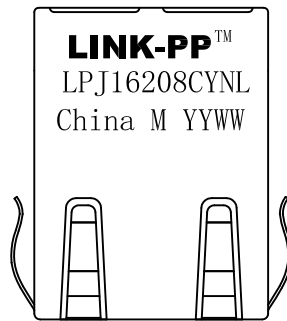
Left Side View



Suggested PCB Layout (Top View)



Bottom Side View



Top Side View

NOTES:

1. Designed to support application, such as SOHO (ADSL modems), LAN-on-Motherboard (LOM), hub and Switches.
2. Meets IEEE 802.3 specification
3. Connector Materials:
 Housing: Thermoplastic PBT+30%G.F UL94V-0 color: yellow
 Contact: Phosphor Bronze C5210R-EH Thickness=0.35mm
 Pins: Brass C2680R-H Thickness=0.35mm
 Shield: SUS 201-1/2H Thickness=0.2mm
 Contact plating: Gold 6 micro-inches min. In contact area.
4. Wave solder tip temperature: 265°C Max, 5 Sec.
5. UL Certification: File Number E484635.

X:X	±0.30	APPD:	LINK-PP INT'L TECHNOLOGY CO., LIMITED	
X:XX	±0.25	CHKD:		
X:XXX	±0.05	DR: TOM	TITLE: RJ45 Connector with 10/100 Base-T Integrated Magnetics	
ANGLES	±1°	UNIT: mm	PART NO.: LPJ16208CYNL	
	SCALE: 2/1	SHEET: 2/2	REV: A	DWG NO.: LP10120419