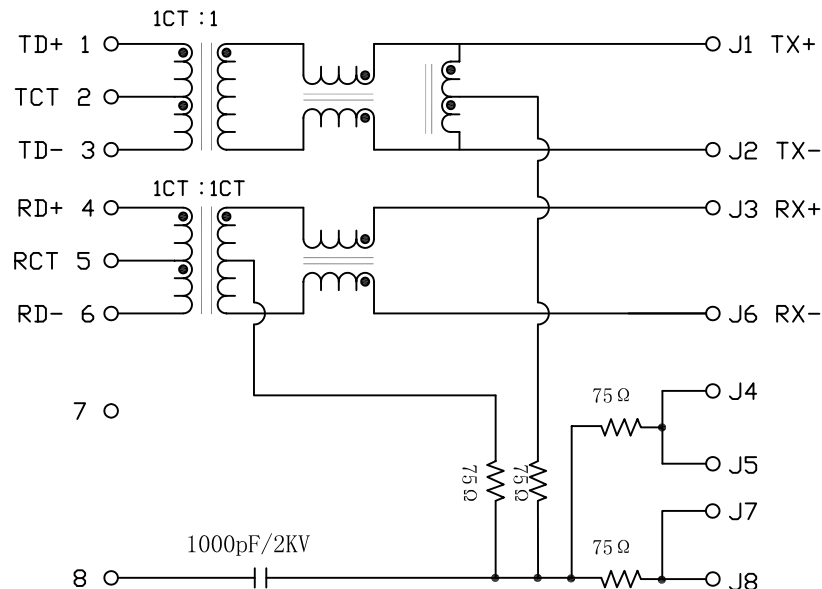


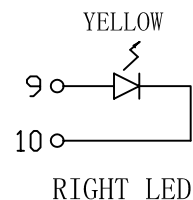
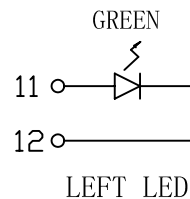
Schematic:

REV.	ECN NO.	DESCRIPTION	DATE	APPD
A	REL		2013/05/31	



Electrical Specifications @25°C

- Turns Ratio:
TX=1CT : 1 RX=1CT : 1CT
- Inductance OCL: 350uH Min
@100KHz, 100mV, 8mAdc Bias current.
- Insertion Loss:
0.3-100MHz:-1.2dB Max
- Return Loss(dB Min, @100Ω):
1-30MHz:-14 40MHz:-14
50MHz:-14 60-100MHz:-10
- Crosstalk(dB Min):
30MHz:-40 60MHz:-36
100MHz:-30
- Differential to Common Mode Rejection(DCMR):
30MHz:-35dB Min 60MHz:-32dB Min
100MHz:-30dB Min
- Isolation Voltage: 1500Vrms
- Operating Temperature: 0°C ~ 70°C



X:X	±0.20	APPD:	LINK-PP INT'L TECHNOLOGY CO., LIMITED	
X:XX	±0.10	CHKD:	TITLE: RJ45 Connector With 10/100 Base-TX Integrated Magnetic TAB-UP	
X:XXX	±0.05	DR: TOM	PART NO.: LPJ16191AENL	
ANGLES	±1°	UNIT: mm	DWG NO: LP13053101	
	SCALE: 2/1	SHEET: 1/2	REV: A	

