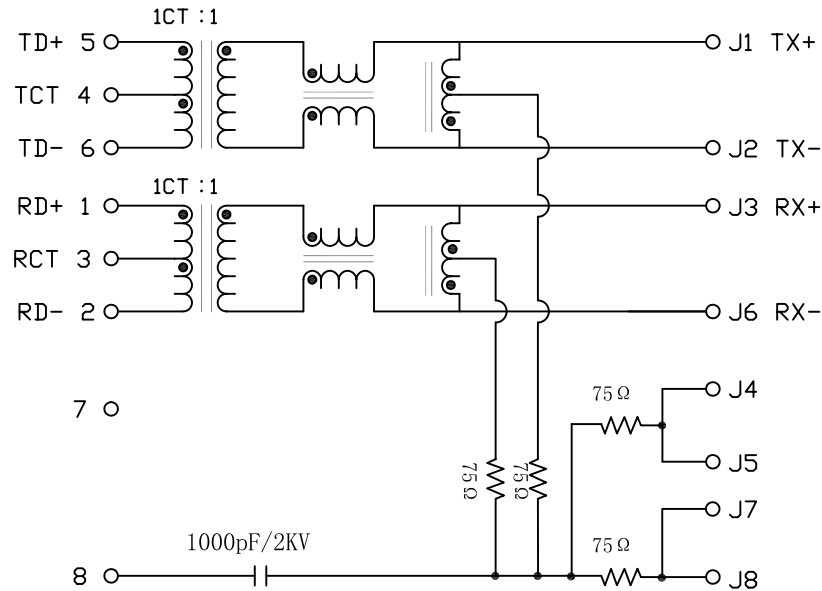


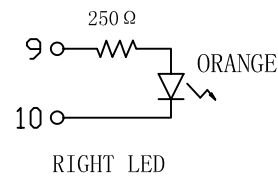
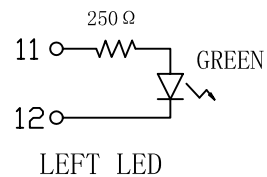
# Schematic:

REV.	ECN NO.	DESCRIPTION	DATE	APPD
A	REL		2013/04/15	



## Electrical Specifications @25°C

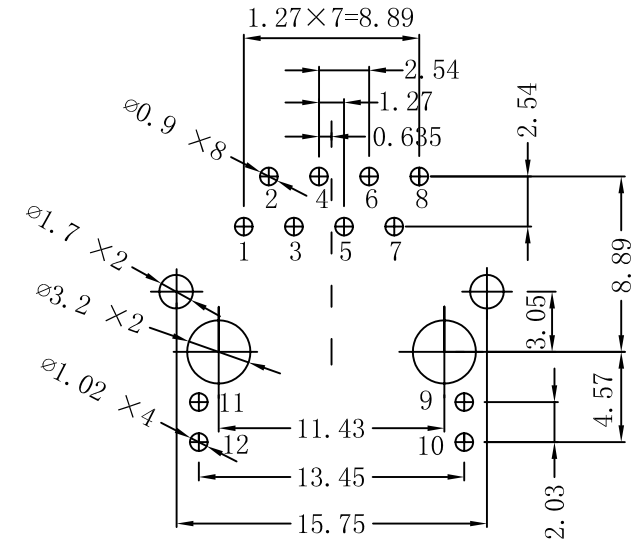
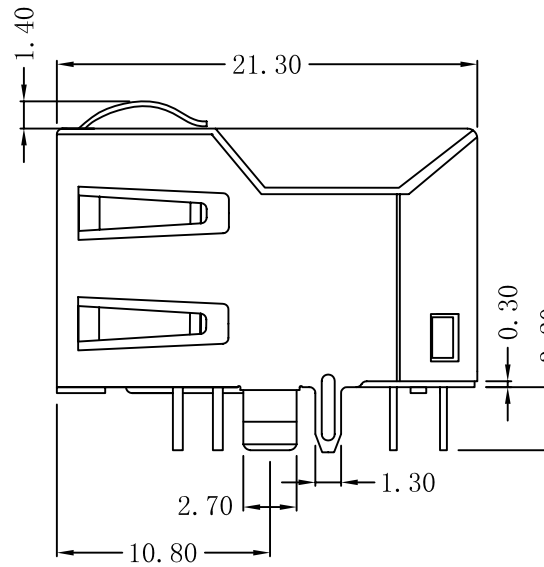
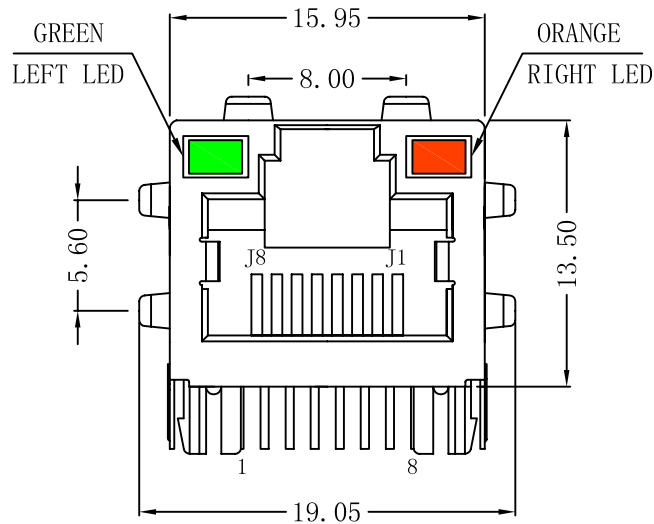
- Turns Ratio:  
TX=1CT : 1      RX=1CT : 1
- Inductance OCL: 350uH Min  
@100KHz, 100mV, 8mAdc.
- Insertion Loss:  
0.5-100MHz:-1.1dB Max
- Return Loss(dB Min):  
0.5-30MHz:-18  
30.1-60MHz:-18-20LOG(f/30MHz)  
60.1-80MHz:-12
- Crosstalk(dB Min):  
0.5-40MHz:-35  
40.1-100MHz:-33-20LOG(f/50MHz)
- Common Mode Rejection Ratio(CMRR):  
0.5-100MHz:-30dB Min
- Isolation Voltage: 1500Vrms
- Operating Temperature: 0°C ~ 70°C



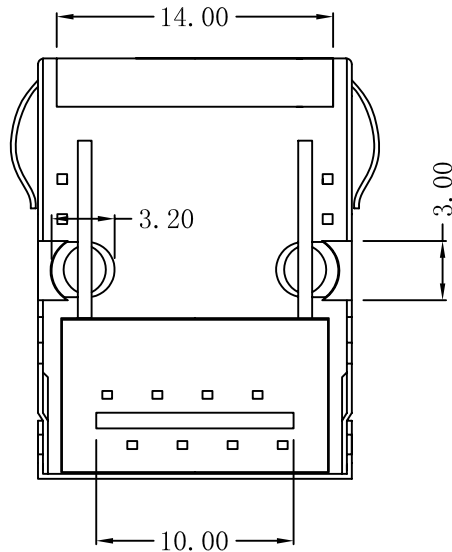
X:X	±0.20	APPD:	LINK-PP INT'L TECHNOLOGY CO., LIMITED	
X:XX	±0.10	CHKD:	TITLE: RJ45 Connector With 10/100 Base-TX Integrated Magnetic TAB-UP	
X:XXX	±0.05	DR: TOM	PART NO.: LPJ16183A107NL	
ANGLES	±1°	UNIT: mm		
	SCALE: 2/1	SHEET: 1/2	REV: A	DWG NO: LP13041501

# Mechanical :

REV.	ECN NO.	DESCRIPTION	DATE	APPD
A	REL		2013/04/15	



SUGGESTED PCB LAYOUT(TOP VIEW)



## NOTES:

1. Designed to support application, such as SOHO (ADSL modems), LAN-on-Motherboard (LOM), hub and Switches.
2. Meets IEEE 802.3 specification
3. Connector Materials:  
Housing: Thermoplastic UL94V-0  
Contact/Shield: Copper alloy  
Shield plating: Nickel  
Contact plating: Gold 6 micro-inches min. In contact area.
4. Wave solder tip temperature: 265°C Max  
Wave solder tip temperature time: 5 Sec Max



X:X	±0.20	APPD:	LINK-PP INT'L TECHNOLOGY CO., LIMITED	
X:XX	±0.10	CHKD:	TITLE: RJ45 Connector With 10/100 Base-TX Integrated Magnetic TAB-UP	
X:XXX	±0.05	DR: TOM	PART NO.: LPJ16183A107NL	
ANGLES	±1°	UNIT: mm	PART NO.: LPJ16183A107NL	
	SCALE: 2/1	SHEET: 2/2	REV: A	DWG NO: LP13041501